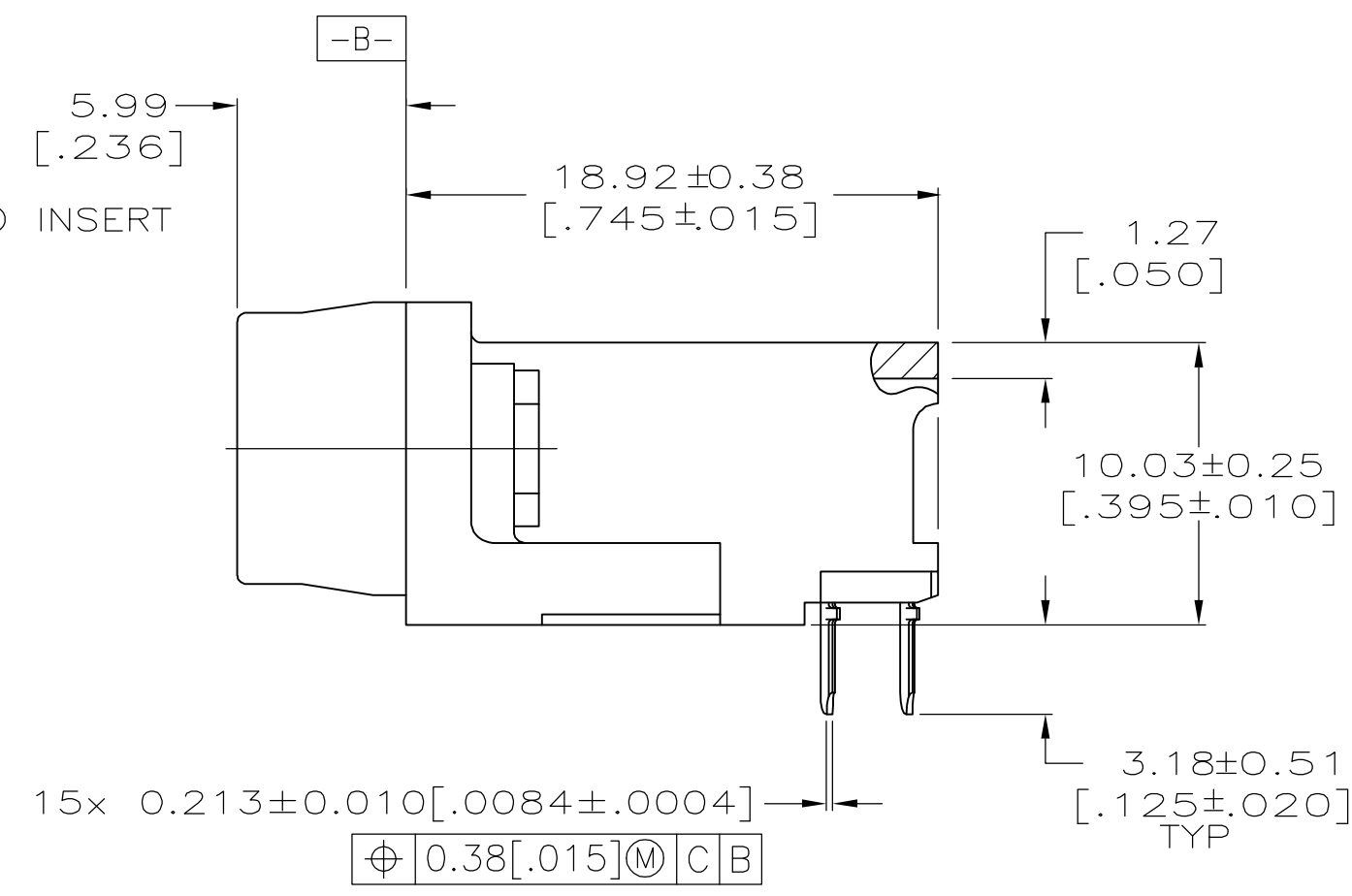
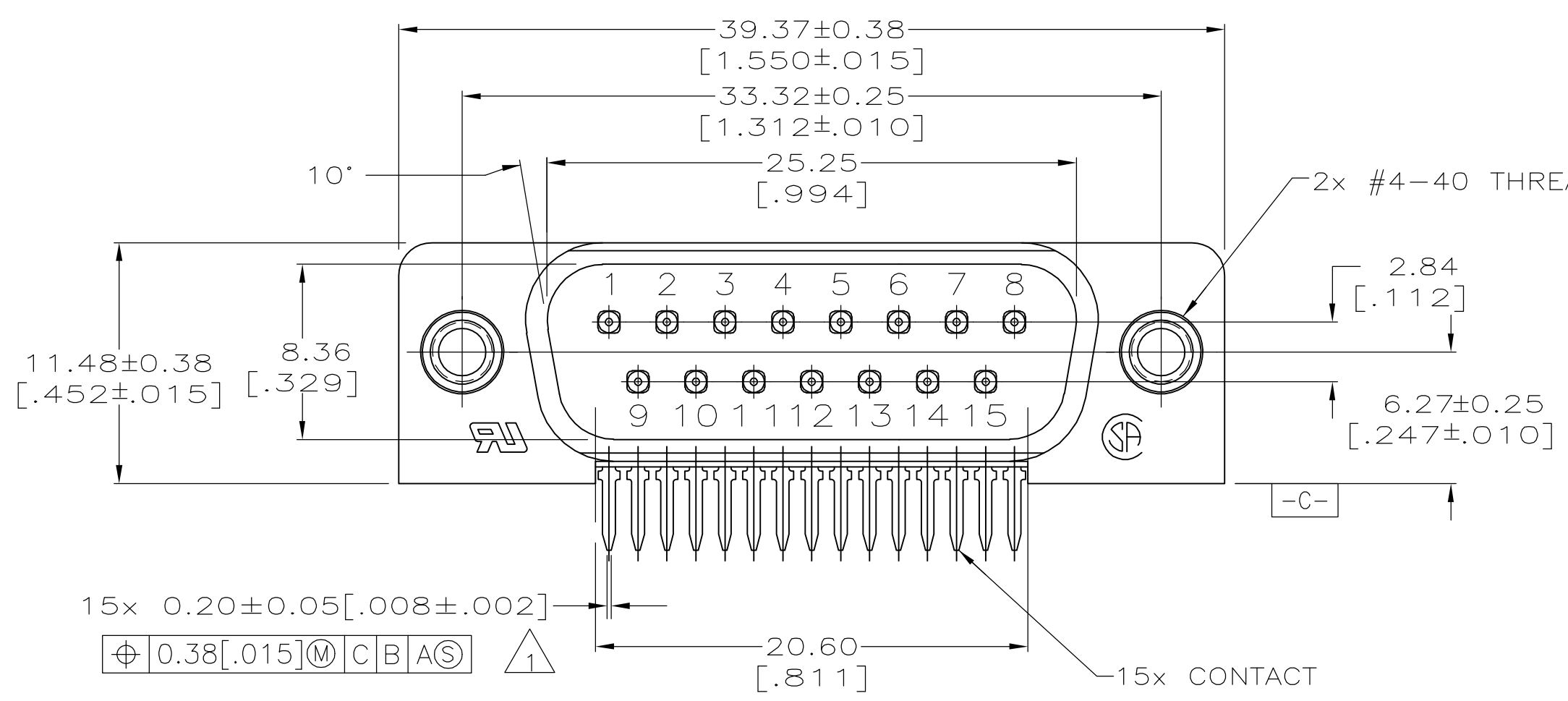
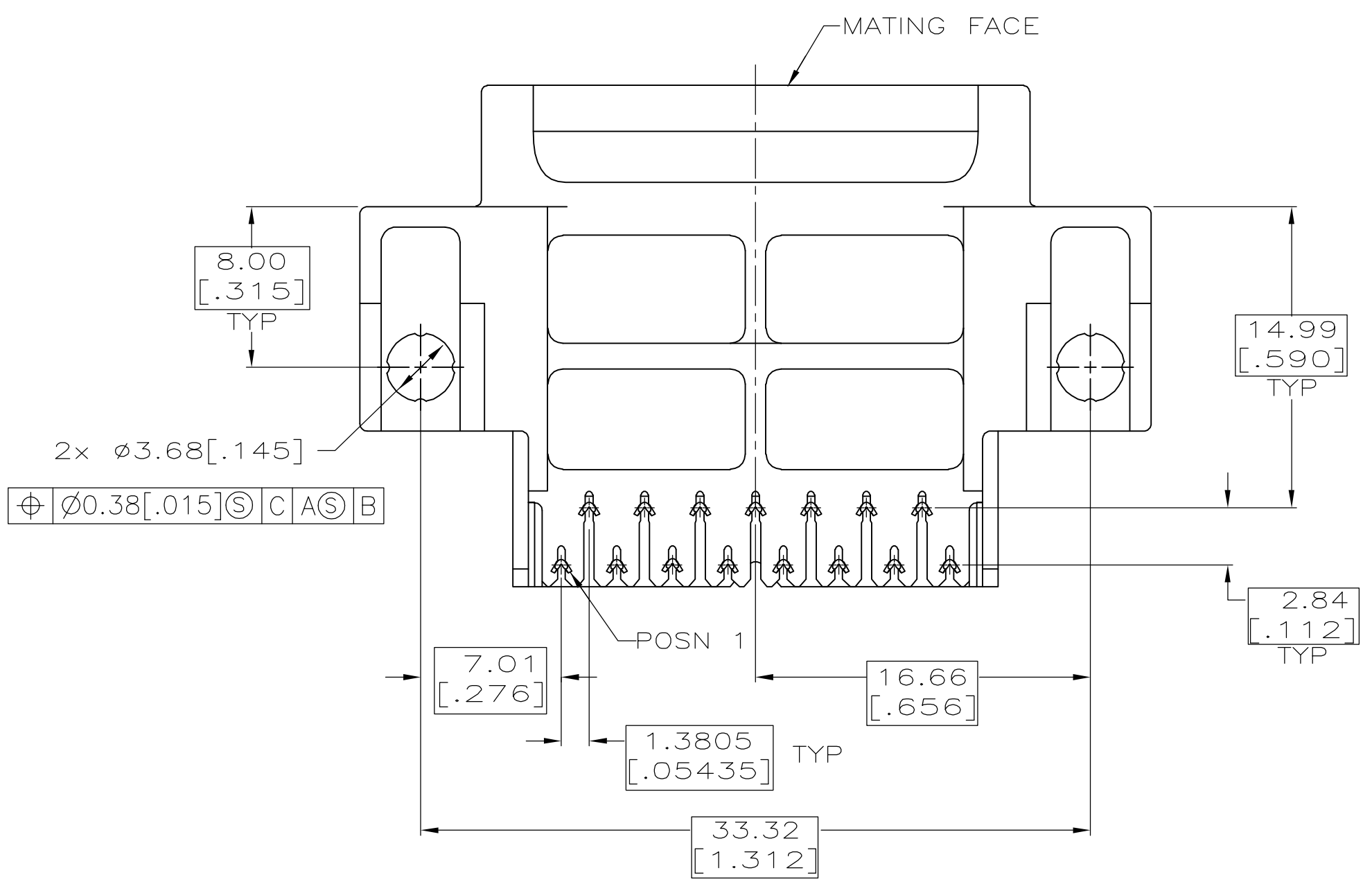


TYCO, PART NO & DATE CODE, MARKED IN AREA INDICATED



- 1 POSITION TOLERANCE APPLIES AT TIP ONLY.
- 2 HOUSING: FLAME RETARDENT, 94V-0 RATED, GLASS FILLED NYLON OR POLYESTER, COLOR; BLACK.
- CONTACTS: BRASS
- INSERTS: ZINC
- 3 CONTACTS: GOLD PLATED FOR A LENGTH OF 3.81 [.150] MIN FROM MATING END, 0.76 μm [.00030] MIN GOLD IN MATED AREA, 2.54 μm [.0001] MIN TIN FOR A LENGTH OF 3.68 [.145] MIN FROM OPPOSITE END, BOTH OVER 1.27 μm [.00050] MIN NICKEL.
- INSERTS: CLEAR CHROMATE COATING.



5748872-1
PART NO

**COPYRIGHT 2005
 TYCO ELECTRONICS CORP
 ALL RIGHTS RESERVED**

THIS DRAWING IS A CONTROLLED DOCUMENT.		DWN G.PETERS	20SEP05		Tyco Electronics Corporation Harrisburg, PA 17105-3608	
DIMENSIONS: mm [INCHES]		CHK S.BOLASH	20SEP05		NAME	PLUG ASSEMBLY, SIZE 2, 15 POSN., ALL PLASTIC, RIGHT ANGLE, .590 SERIES, AMPLIMITE III
TOLERANCES UNLESS OTHERWISE SPECIFIED:		APVD M.WALMSLEY	20SEP05	PRODUCT SPEC	108-1226	
0 PLC ± -		APPLICATION SPEC		114-40027		
1 PLC ± -.13[.005]		MATERIAL		WEIGHT		
2 PLC ± -		FINISH		SCALE		
3 PLC ± -		CUSTOMER DRAWING		SCALE 1:1 SHEET 1 OF 1 REV 0		
4 PLC ± -		SIZE		A1 00779 C=5748872		
ANGLES ± -		RESTRICTED TO				

单击下面可查看定价，库存，交付和生命周期等信息

[>>TE Connectivity\(泰科\)](#)