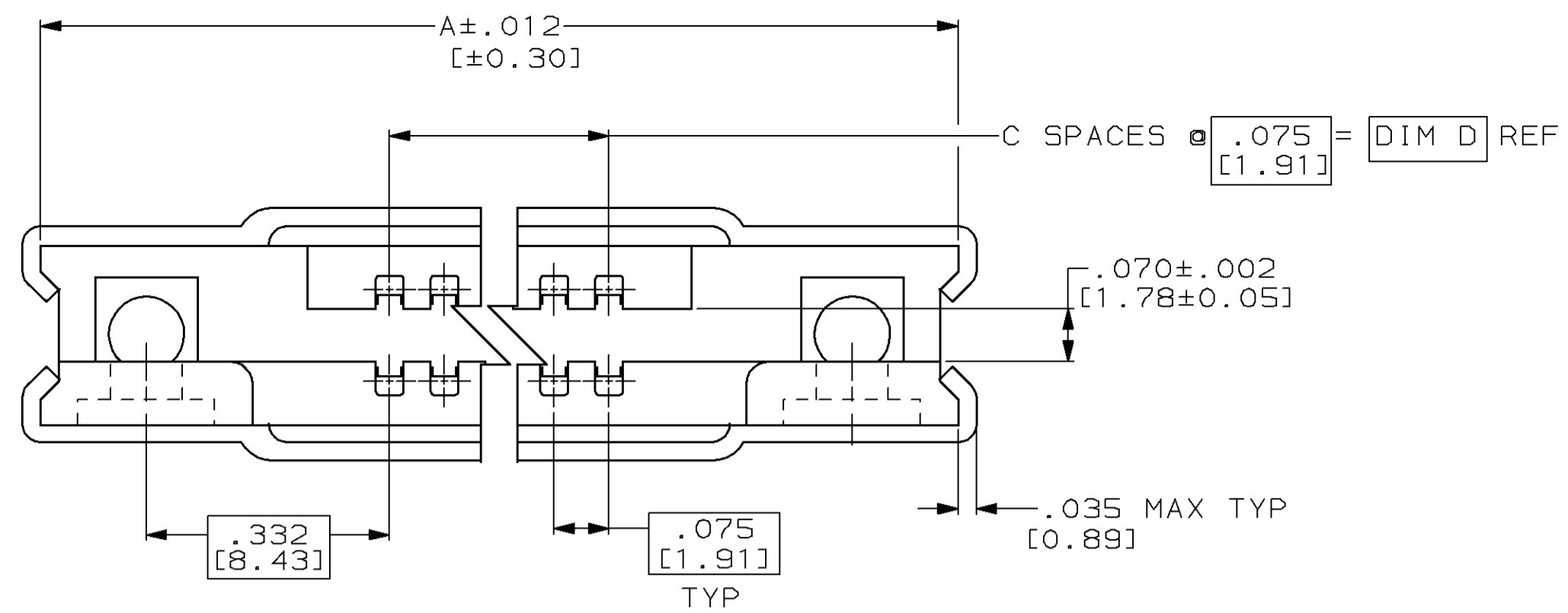
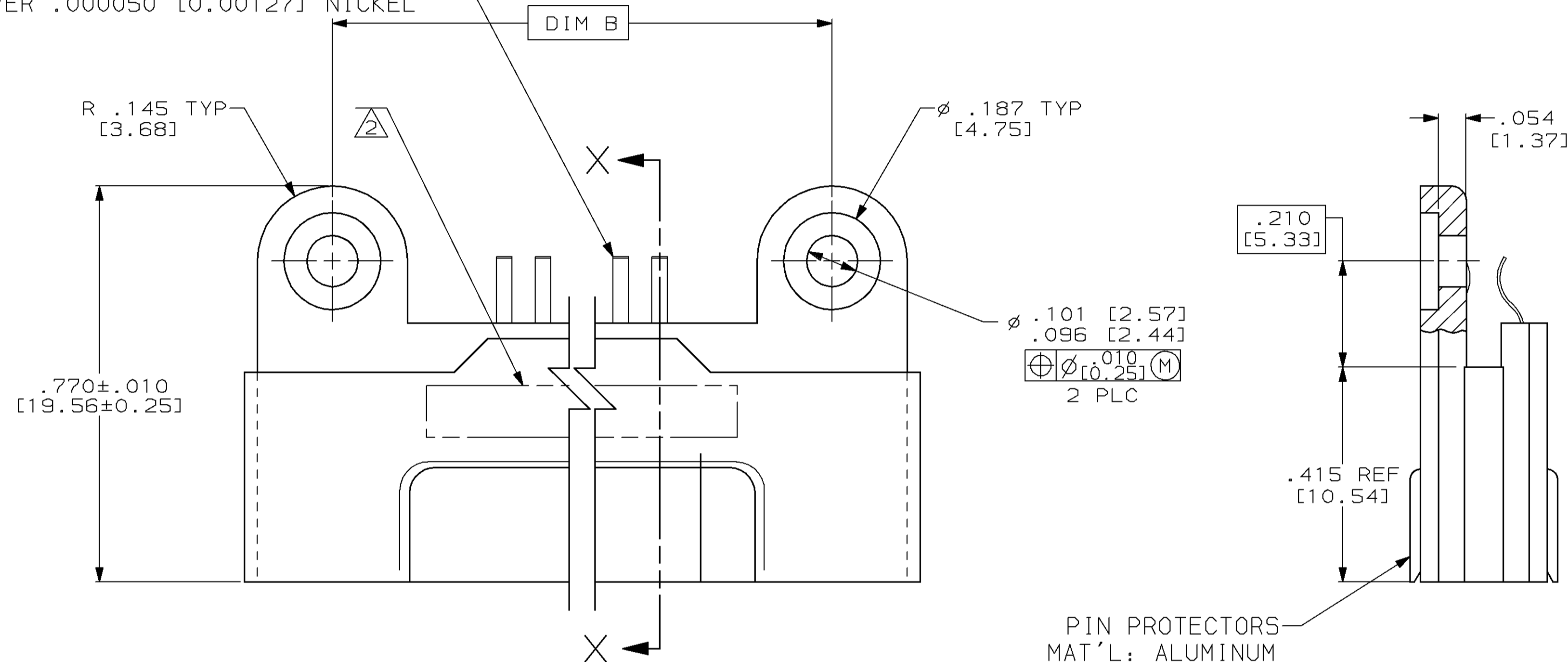


PROJ	LOC	Q1ST	REV	ZONE	LTR	DESCRIPTION	DATE	APPD
5368	DF	F0	P			REV PER 0600-7177-98 JY	11-98	DG

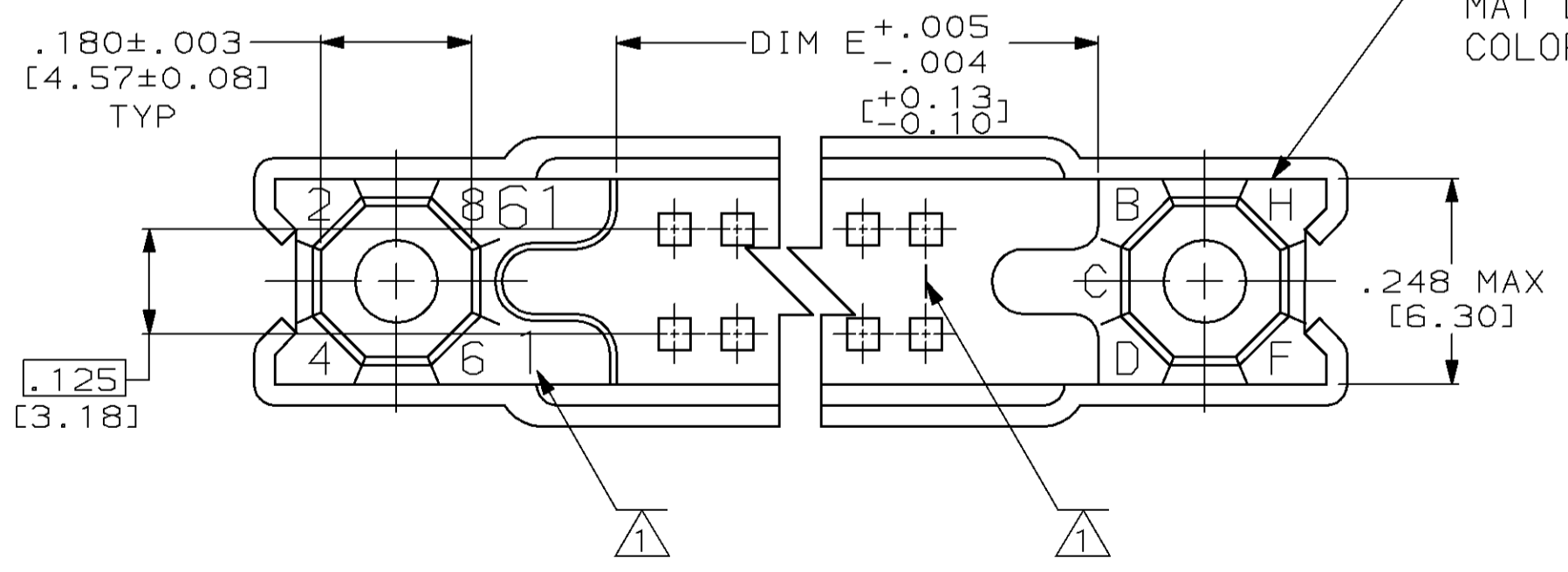


CONTACT TYP
 MAT'L: BRASS
 FINISH: .000030 [0.00076] MIN GOLD
 OVER .000050 [0.00127] NICKEL

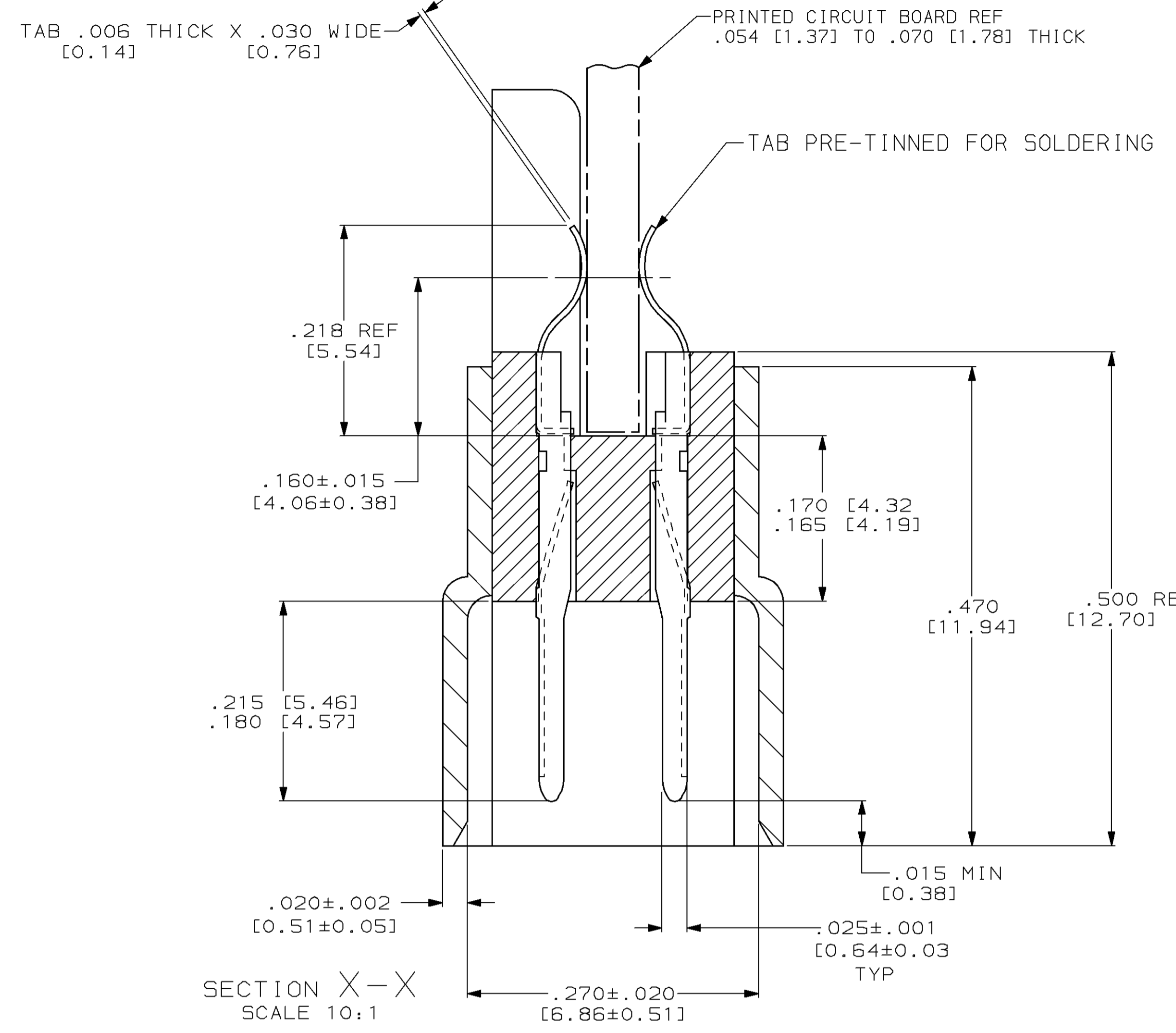


PIN PROTECTORS
 MAT'L: ALUMINUM
 FINISH: ANODIZED

HOUSING
 MAT'L: DIALLYL PHTHALATE
 COLOR: BLUE



- 1 CAVITY NUMBERS (SEE TABLE) AND LINES INDICATING EVERY 5 CAVITIES MOLDED OR MARKED ON MATING FACE AS SHOWN.
- 2 AMP, DATE CODE AND AMP PART NO. MARKED IN THIS AREA.



OBSOLETE	6 - 1	.575 [14.61]	.300 [7.62]	4	.965 [24.51]	1.255 [31.88]	10	1-583245-5
OBSOLETE	11 - 1	.950 [24.13]	.675 [17.15]	9	1.340 [34.04]	1.630 [41.40]	20	1-583245-4
OBSOLETE	36 - 1	2.825 [71.76]	2.550 [64.77]	34	3.215 [81.66]	3.505 [89.03]	70	1-583245-3
OBSOLETE	46 - 1	3.575 [90.81]	3.300 [83.82]	44	3.965 [100.71]	4.255 [108.08]	90	1-583245-2
OBSOLETE	21 - 1	1.700 [43.18]	1.425 [36.20]	19	2.090 [53.09]	2.380 [60.45]	40	1-583245-1
OBSOLETE	31 - 1	2.450 [62.23]	2.175 [55.25]	29	2.840 [72.14]	3.130 [79.50]	60	1-583245-0
OBSOLETE	56 - 1	4.325 [109.86]	4.050 [102.87]	54	4.715 [119.76]	5.005 [127.13]	110	583245-9
	81 - 1	6.200 [157.48]	5.925 [150.50]	79	6.590 [167.38]	6.880 [174.75]	160	583245-8
OBSOLETE	16 - 1	1.325 [33.66]	1.050 [26.67]	14	1.715 [43.56]	2.005 [50.93]	30	583245-7
OBSOLETE	51 - 1	3.950 [100.33]	3.675 [93.35]	49	4.340 [110.24]	4.630 [117.60]	100	583245-6
OBSOLETE	26 - 1	2.075 [52.71]	1.800 [45.72]	24	2.465 [62.61]	2.755 [69.98]	50	583245-5
	76 - 1	5.825 [147.96]	5.550 [140.97]	74	6.215 [157.86]	6.505 [166.23]	150	583245-4
OBSOLETE	41 - 1	3.200 [81.28]	2.925 [74.30]	39	3.590 [91.19]	3.880 [98.55]	80	583245-3
OBSOLETE	91 - 1	6.950 [176.53]	6.675 [169.55]	89	7.340 [186.44]	7.630 [193.80]	180	583245-2
	61 - 1	4.700 [119.38]	4.425 [112.40]	59	5.090 [129.29]	5.380 [136.65]	120	583245-1
	CAVITY IDENT	E	D	C	B	A	NUMBER OF POSITIONS	PART NUMBER

DO NOT SCALE PRINT. UNLESS SPECIFIED DIMENSIONS IN INCHES [mm] TOLERANCES ON:

3 PLC DEC ± .005 [0.13]
 ANGLES ±

DR 5-6-97 C.C.THOMAS
 CHK 6-17-97 D.MILLER
 APPD 6-17-97 D.MILLER
 APPD 6-17-97 C.C.THOMAS

AMP Incorporated
 Harrisburg, PA 17105-3608

PIN HEADER ASSEMBLY, .075" BOX WITH PIN PROTECTORS

SIZE D 00779
 CAGE CODE 00779
 DRAWING NO 583245
 SCALE 5:1
 SHEET 1 OF 1

单击下面可查看定价，库存，交付和生命周期等信息

[>>TE Connectivity\(泰科\)](#)