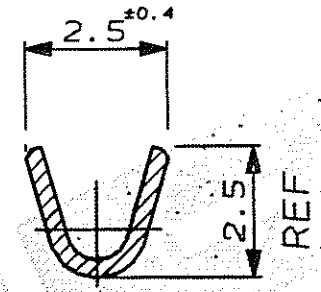
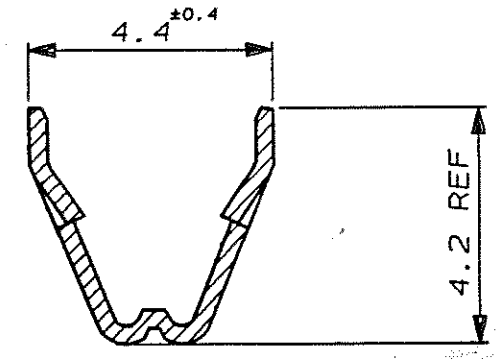
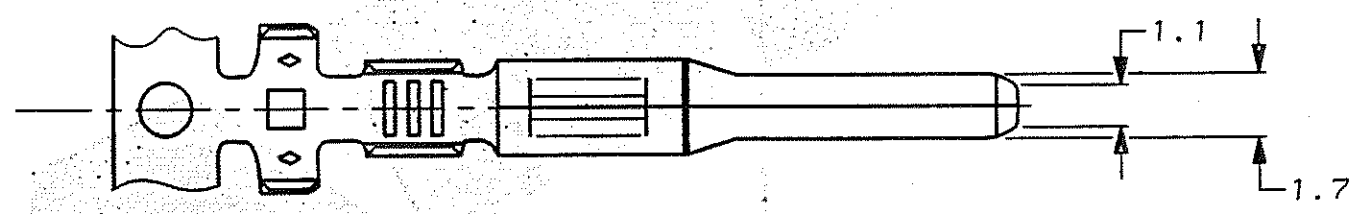
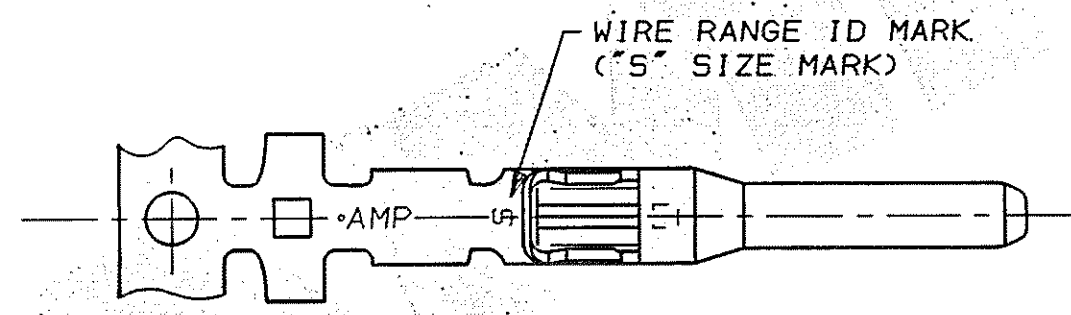
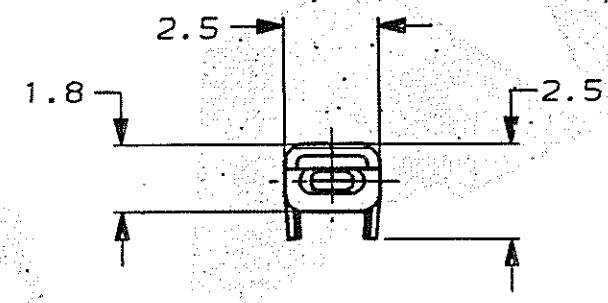
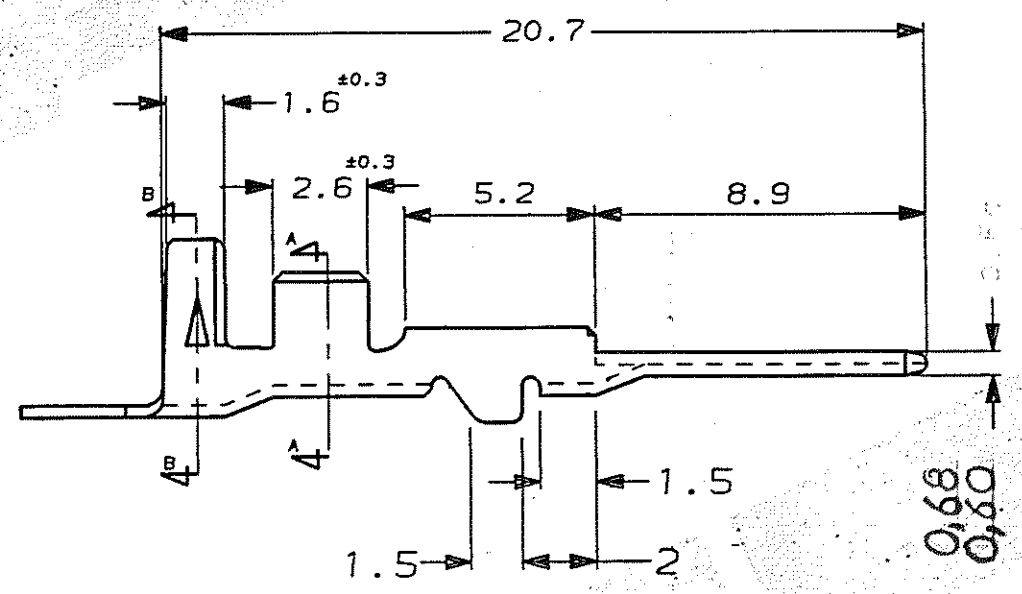


C.A.D. FILE CODE  
S. C345210.B




SECT B-B

SECT A-A



NOTES: -

- 1 WIRE DETAILS : 0.3-0.5mm<sup>2</sup> , 1.2-2.0 INS. DIA.
- 2 SIMILAR TO PART NUMBER 173633.

PRE-TIN		BRASS		345210-1	
FINISH		MATERIAL		PART NUMBER	
CUSTOMER DWG FOR REFERENCE ONLY			©COPYRIGHT 1991 BY AMP OF GREAT BRITAIN LTD. ALL INTERNATIONAL RIGHTS RESERVED. ALL PRODUCTS MAY BE COVERED BY BRITISH AND FOREIGN PATENTS AND/OR PATENTS PENDING.		
TOLERANCES UNLESS OTHERWISE STATED :			DR. D.R. TERRY      16 OCT 1991		
DEC ± 0.5			CH. M MISTRY      APP. M MISTRY		
ANGLES ± 1°			 TERMINAL HOUSE STANMORE MIDDX.		
B	EB00-019-02	-	-	NAME .070 SERIES TAB CONTACT, MULTILOCK	
A	SEE EB00-0191-93	18-6-93	SCALE LOC SIZE DWG.No.		
0	RELEASE FOR PROD.	C6323	24-8-92	5/1	E A3 C345210
1	M. MISTRY	-	16-10-91	REV	SHEET
REV	APPROVED	ECN	DATE	B	1/1

单击下面可查看定价，库存，交付和生命周期等信息

[>>TE Connectivity\(泰科\)](#)