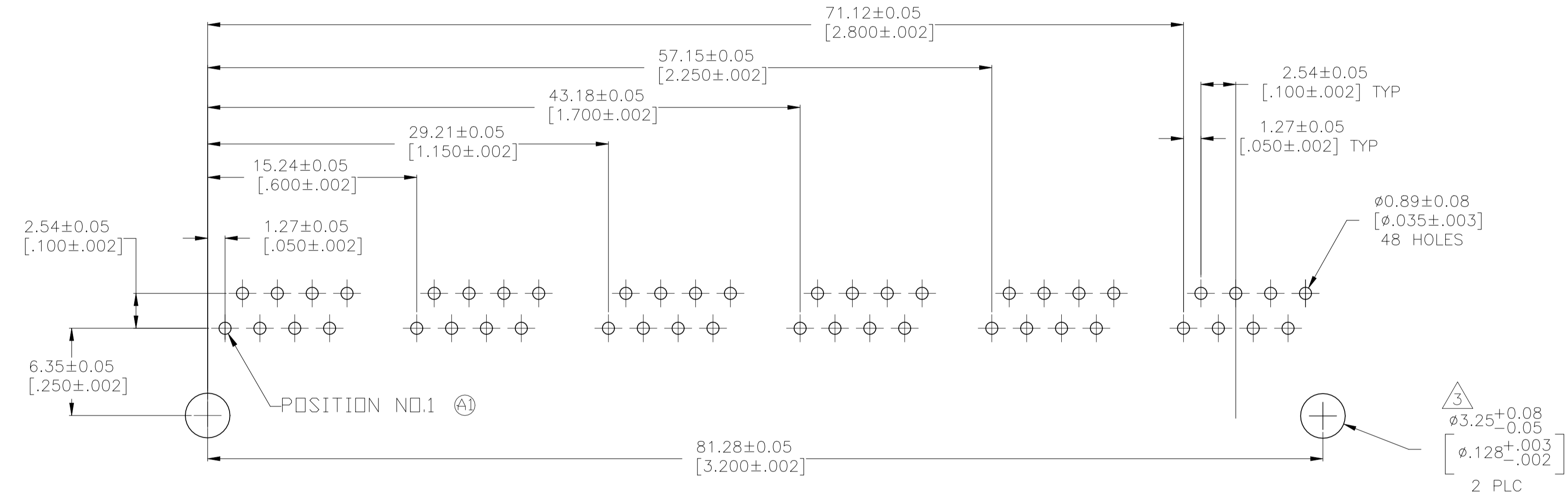
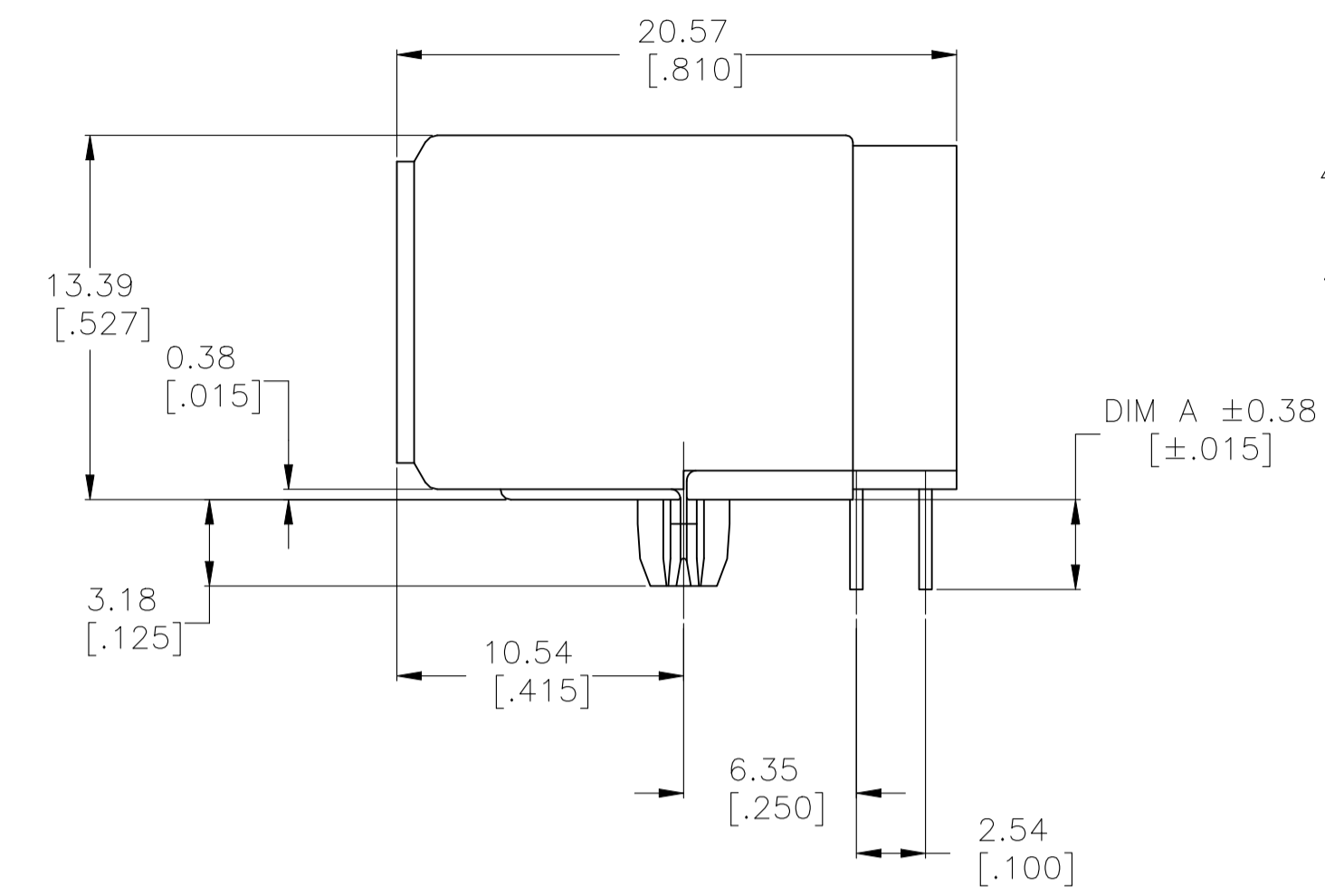
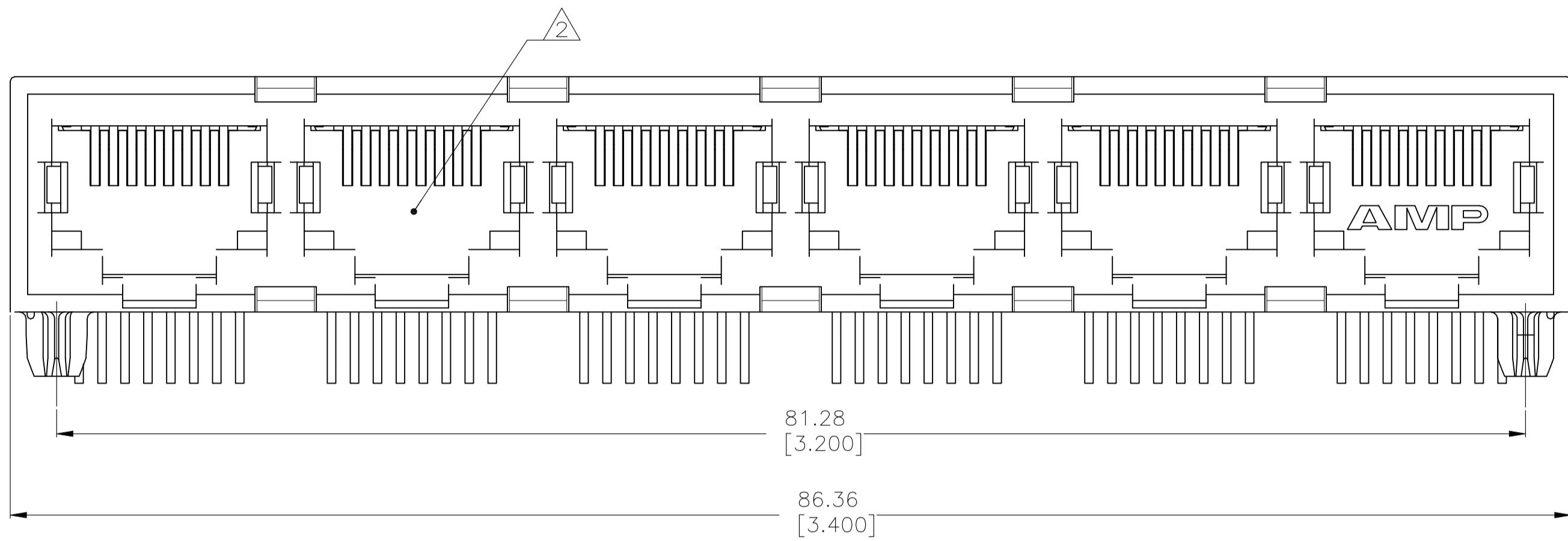
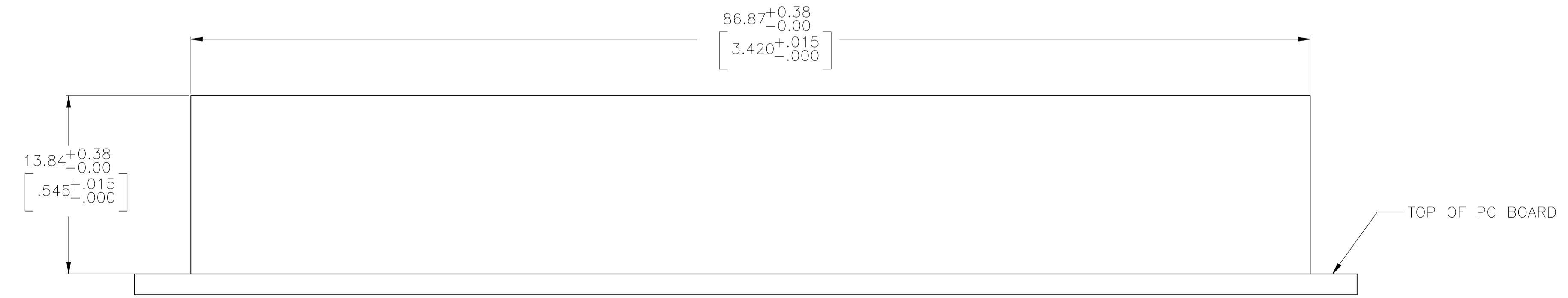


REVISIONS					
REV	DESCRIPTION	DATE	BY	CHK	APPV
A2	ECR-19-014657	13DEC2020	RR	SZ	

- MATERIAL: HOUSING - NYLON, COLOR: BLACK, UL 94V-0. OVERMOLDED TERMINAL ARRAY - PBT, BROWN. TERMINALS - 0.33[.013] THICK PHOS BRONZE PLATED WITH 1.27um[.000050] MINIMUM HARD GOLD IN LOCALIZED AREA AND 3.81um[.000150] MINIMUM TIN IN SOLDER AREA OVER 1.27um[.000050] MINIMUM NICKEL UNDERPLATE. (A1)
- JACK CAVITY CONFORMS TO FCC RULES AND REGULATIONS, PART 68 SUBPART F.
- USE #30 DRILL BIT OR 3.25mm DRILL BIT WHEN PRODUCING THESE PCB HOLES.



SUGGESTED PC BOARD LAYOUT
COMPONENT SIDE
SEE APPLICATION SPECIFICATION



SUGGESTED PANEL CUTOUT

3.05	1932114-2
3.56	1932114-1
DIM A	PART NUMBER

THIS DRAWING IS A CONTROLLED DOCUMENT.		DIN D.ZHU 5JUNE2008	TE Connectivity	
DIMENSIONS: mm [INCHES]		CHK C.WANG 5JUNE2008	NAME MODULAR JACK ASSEMBLY, 8 POSITION, RIGHT ANGLE, LOW PROFILE, 6 PORT, CATEGORY 5e	
TOLERANCES UNLESS OTHERWISE SPECIFIED:		APPV S.YAO 5JUNE2008	PRODUCT SPEC 108-1163-2	
0 PLC ± -		APPLICATION SPEC 114-2048		
1 PLC ± -		SIZE A1		
2 PLC ± 0.25(.01)		CAGE CODE 00779		
3 PLC ± 0.13(.005)		DRAWING NO 1932114		
4 PLC ± -		RESTRICTED TO -		
ANGLES ± -		WEIGHT 0.000000		
MATERIAL SEE NOTE 1		FINISH SEE NOTE 1		
CUSTOMER DRAWING		SCALE 4:1		
		SHEET 1 of 1		
		REV A2		

单击下面可查看定价，库存，交付和生命周期等信息

[>>TE Connectivity\(泰科\)](#)