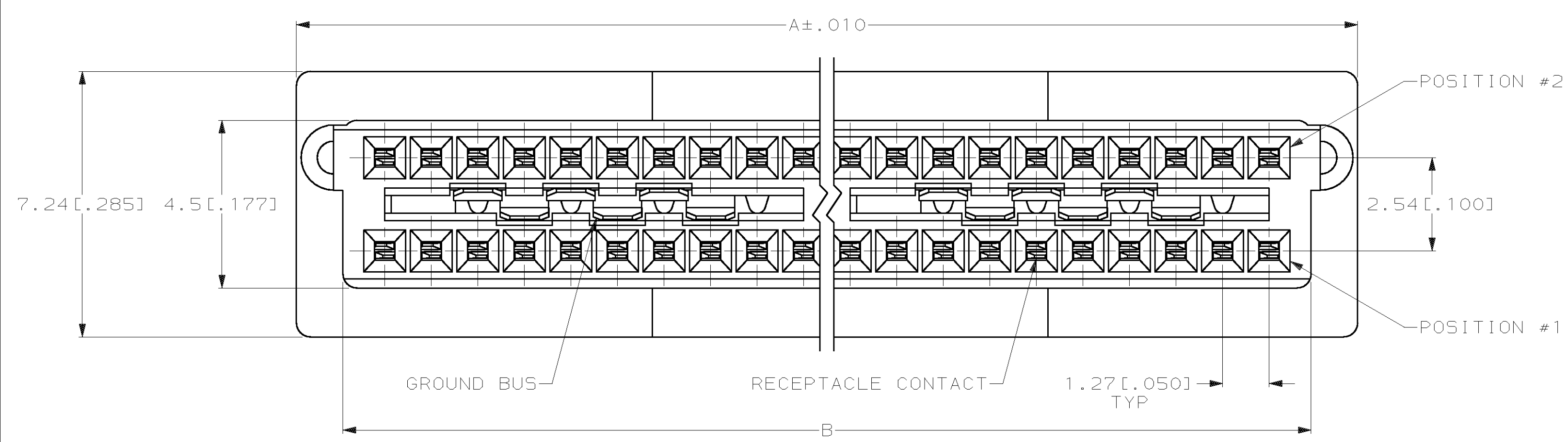
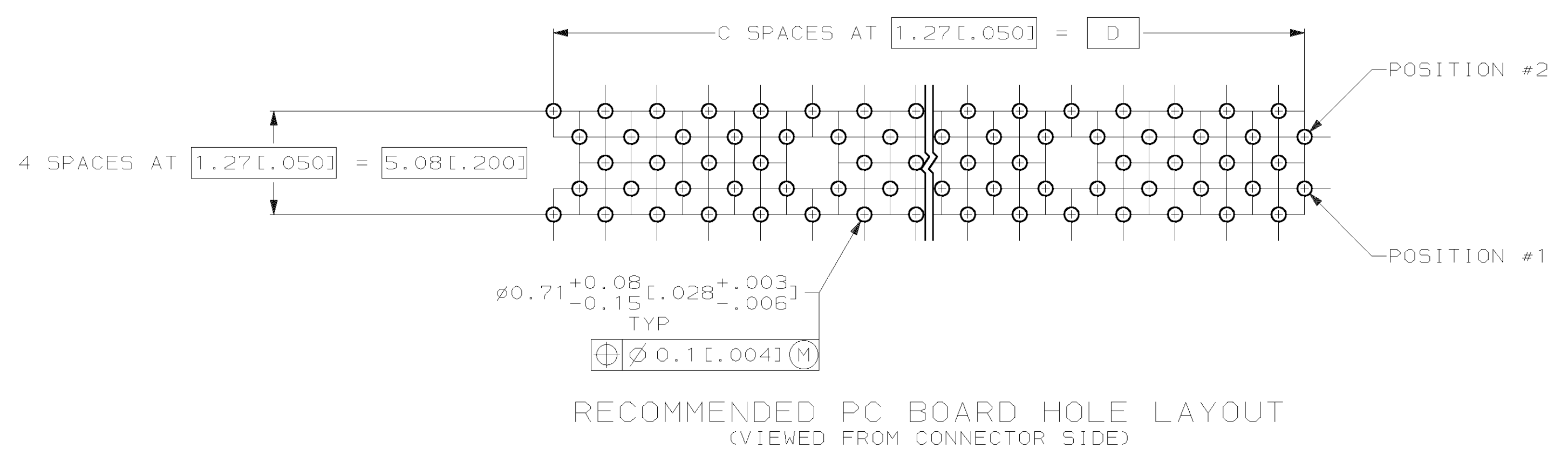
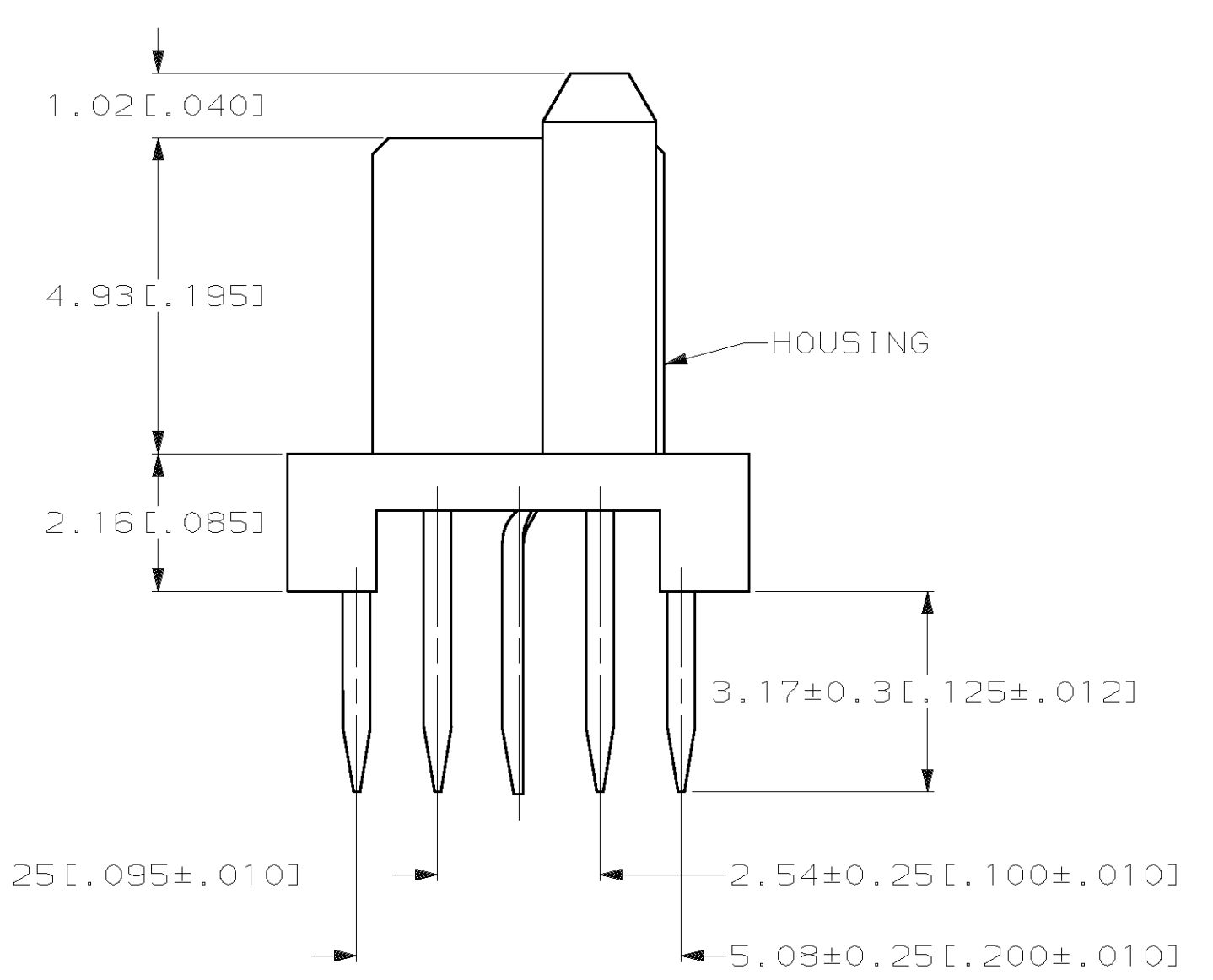
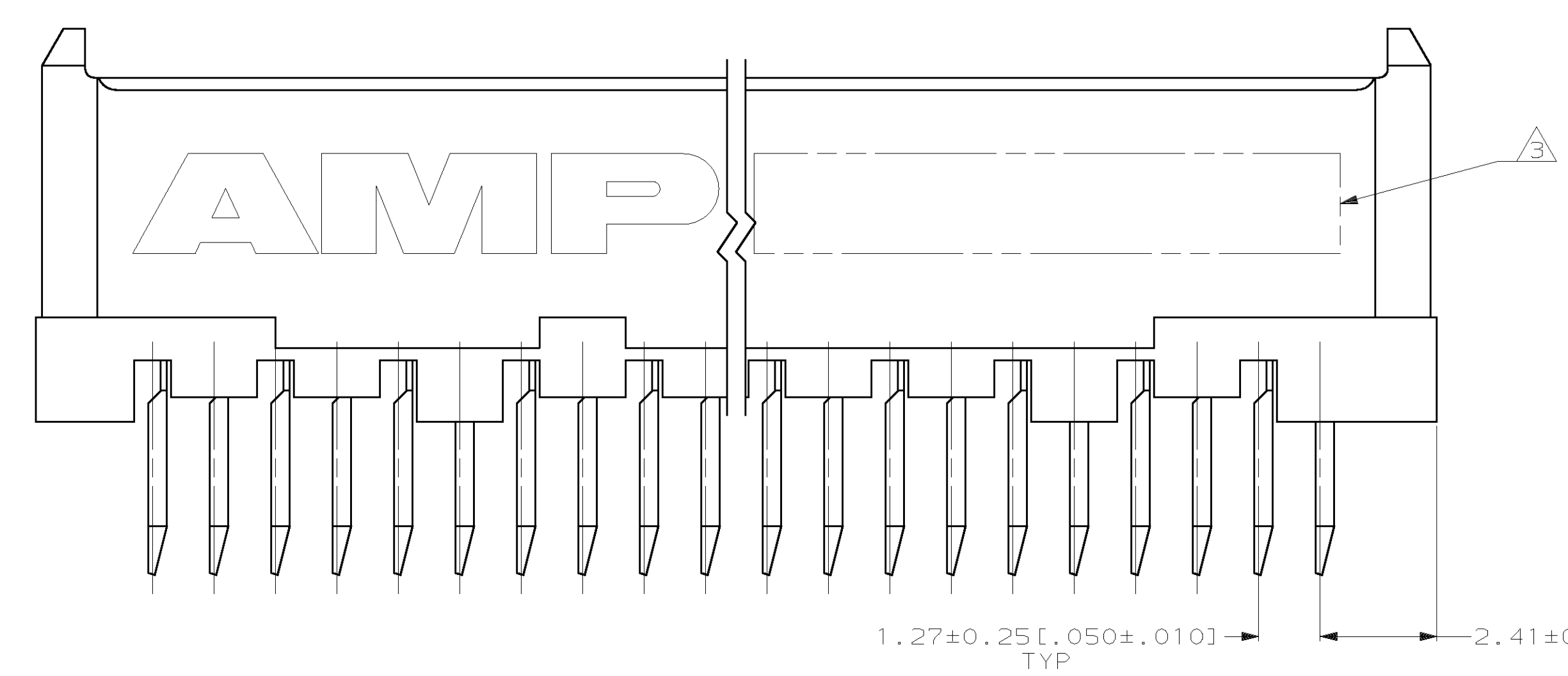


LOC		DIST		REVISIONS				
AD	25	P	F	ZONE	LTR	DESCRIPTION	DATE	APPD
				F		REVISED PER 0512-0039-02	12SEP02	DRD



- △ HOUSING: HIGH TEMPERATURE THERMOPLASTIC, COLOR NATURAL.
- RECEPTACLE CONTACTS: PHOSPHOR BRONZE.
- GROUND BUSSES: PHOSPHOR BRONZE.
- △ RECEPTACLE CONTACTS: 0.00076 [.000030] MIN GOLD IN CONTACT AREA, 0.00254-0.00762 [.000100- .000300] TIN-LEAD ON SOLDER TAIL, ALL OVER 0.00127-0.00254 [.000050- .000100] NICKEL ON ENTIRE CONTACT.
- GROUND BUSSES: 0.00076 [.000030] MIN GOLD IN CONTACT AREA, 0.00254-0.00762 [.000100- .000300] TIN-LEAD ON SOLDER TAIL, ALL OVER 0.00127-0.00254 [.000050- .000100] NICKEL ON ENTIRE BUS.
- △ DATE CODE MARKED IN AREA INDICATED, ON SAME SIDE AS AMP LOGO.



125.73 [4.950]	99	127.94 [5.037]	130.56 [5.140]	200	536254-9
113.03 [4.450]	89	115.24 [4.537]	117.86 [4.640]	180	536254-8
100.33 [3.950]	79	102.54 [4.037]	105.16 [4.140]	160	536254-7
87.63 [3.450]	69	89.84 [3.537]	92.46 [3.640]	140	536254-6
74.93 [2.950]	59	77.14 [3.037]	79.76 [3.140]	120	536254-5
62.23 [2.450]	49	64.44 [2.537]	67.06 [2.640]	100	536254-4
49.53 [1.950]	39	51.74 [2.037]	54.36 [2.140]	80	536254-3
36.83 [1.450]	29	39.01 [1.537]	41.66 [1.640]	60	536254-2
24.13 [0.950]	19	26.34 [1.037]	28.96 [1.140]	40	536254-1

D	C	B	A	NO OF POS	PART NUMBER
DO NOT SCALE PRINT. UNLESS SPECIFIED DIMENSIONS IN mm [INCHES]		DR 2-7-92 J.GERACE	Tyco Electronics Harrisburg, PA 17105-3608		
TOLERANCES ON:		CHK 2-7-92 J.GERACE	NAME		
2 PLC DEC ±		APPD 2-7-92 D.SINISI	RECEPTACLE ASSEMBLY, VERTICAL, .125 TAIL, BOARD TO BOARD, MICROSTRIP		
3 PLC DEC ± 0.13 [.005]		APPD 2-7-92 C.LINDGREN	SIZE		
ANGLES ±		PRODUCT SPEC 108-1272	CAGE CODE 00779		
FINISH		APPLICATION SPEC 114-11005	DRAWING NO 536254		
WEIGHT			SCALE 10:1		
			SHEET 1 OF 1		



单击下面可查看定价，库存，交付和生命周期等信息

[>>TE Connectivity\(泰科\)](#)