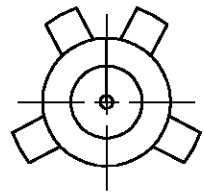


THIS DRAWING IS UNPUBLISHED.

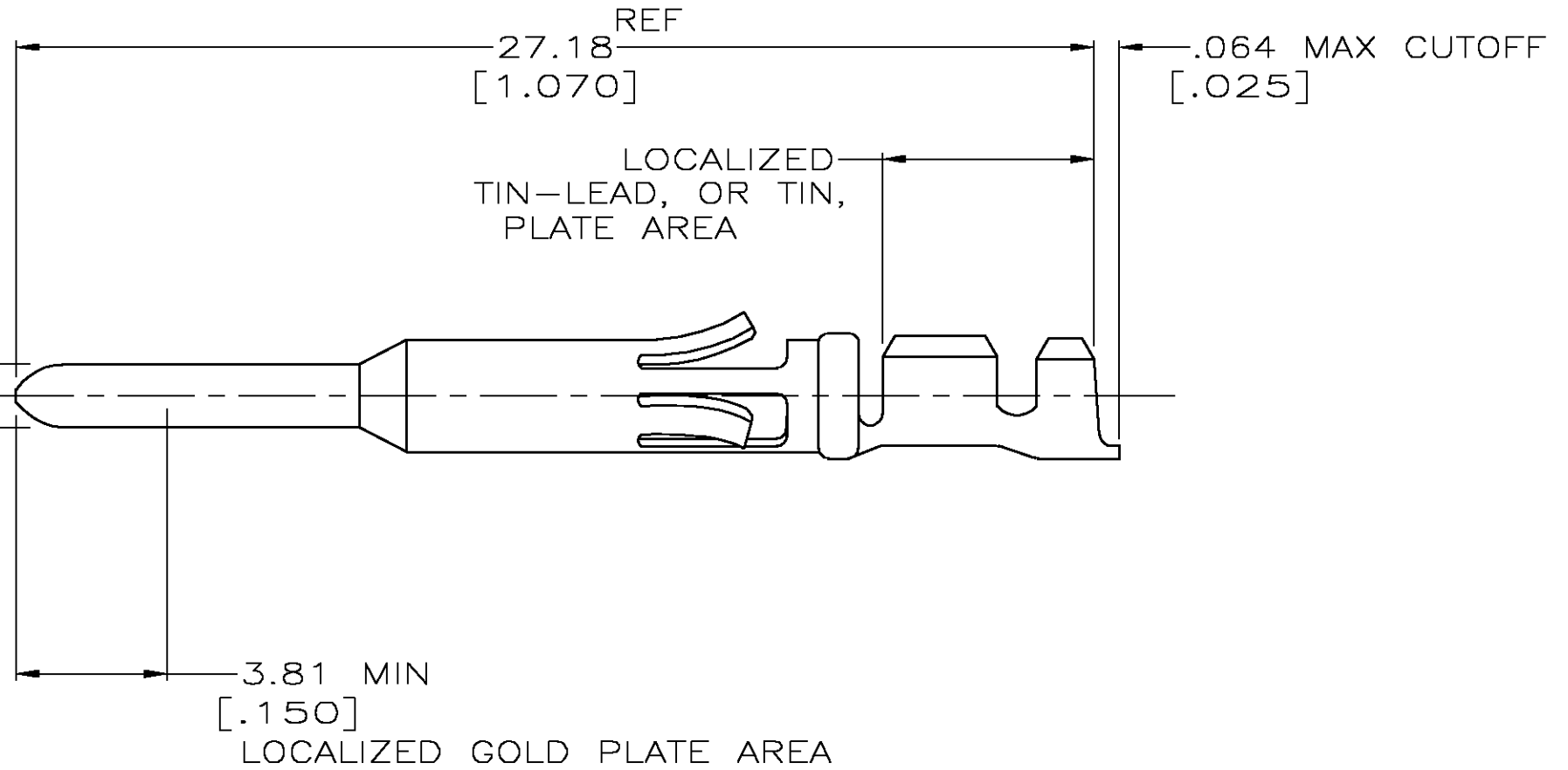
RELEASED FOR PUBLICATION

© COPYRIGHT BY TYCO ELECTRONICS CORPORATION. ALL RIGHTS RESERVED.

LOC	DIST	REVISIONS					
BD	39	P	LTR	DESCRIPTION	DATE	DWN	APVD
		F		0G3B-0317-03	24APR03	TK	GS



1.57 DIA
[.062]



- 1. WIRE RANGE 18-16 AWG.
- 2. INSULATION RANGE .100-.080 DIA.
- 3. FOR STRIP PART SEE DWG 66579.

④ 0.76 μm [.000030] MIN GOLD IN LOCALIZED GOLD PLATE AREA,
1.27 μm [.000050] MIN TIN-LEAD IN LOCALIZED TIN-LEAD PLATE AREA,
BOTH OVER 1.27 μm [.000050] MIN NICKEL.

⑤ TIN PLATED.

⑥ GOLD PLATING PER MIL-G-45204, TIN PER MIL-T-10727
AND NICKEL PER QQ-N-290.

⑦ 0.76 μm [.000030] MIN GOLD IN LOCALIZED GOLD PLATE AREA,
1.27 μm [.000050] MIN TIN IN LOCALIZED TIN PLATE AREA,
BOTH OVER 1.27 μm [.000050] MIN NICKEL.

⑦	66589-4
④	66589-2
⑤	66589-1
FINISH	FINISH

THIS DRAWING IS A CONTROLLED DOCUMENT.		DWN C.OBERMAN 08/25/92	Tyco Electronics Corporation Harrisburg, Pa	
DIMENSIONS: INCHES		CHK W.G.LENKER 9-3-92	NAME CONTACT, PIN, LOOSE PIECE, TYPE VI, MULTIMATE	
TOLERANCES UNLESS OTHERWISE SPECIFIED:		APVD A. TRAVIS A.TRAVIS 9-3-92	SIZE A3	
0 PLC ± -		PRODUCT SPEC -	CAGE CODE 00779	DRAWING NO C-66589
1 PLC ± -		APPLICATION SPEC -	RESTRICTED TO	
2 PLC ± 0.13 [.005]		WEIGHT -	SCALE 6:1	
3 PLC ± -		SHEET 1 OF 1		
4 PLC ± -		REV F		
ANGLES ± -		CUSTOMER DRAWING		
MATERIAL BRS PER MIL-C-50	FINISH ⑥ SEE TABLE			

单击下面可查看定价，库存，交付和生命周期等信息

[>>TE Connectivity\(泰科\)](#)