

4

3

2

1

THIS DRAWING IS UNPUBLISHED.

RELEASED FOR PUBLICATION

20

© COPYRIGHT 20

BY -

ALL RIGHTS RESERVED.

REVISIONS

P	LTR	DESCRIPTION	DATE	DWN	APVD
A	I	ECR-18-004585	26MAR2018	DW	CW
B		ECR-19-006038	14MAY2019	BS	CW
C		ECR-21-117384	15NOV2021	WQR	CW
C	I	ECR-22-161571	03JAN2023	WQR	CW

NOTES:


- TECHNICAL CHARACTERISTICS:
INSULATION MATERIAL: PC (GRAY)
RATED VOLTAGE: 250V
RATED CURRENT: 10A
INSULATION RESISTANCE: $\geq 400M\Omega$
RATED IMPULSE VOLTAGE: 4KV
POLLUTION DEGREE: 3
FLAMMABILITY: UL94V-0
MATING CYCLES: 500 CYCLES
WIRE RANGE: $0.14mm^2 \sim 2.5mm^2$ (AWG26-AWG14)
CONTACT TYPE: CRIMP CONTACT
- CONTACT NEED TO BE ORDERED SEPARATELY.
(ORDER NO. REFER TO DRAWING: T20200X20XX000.)

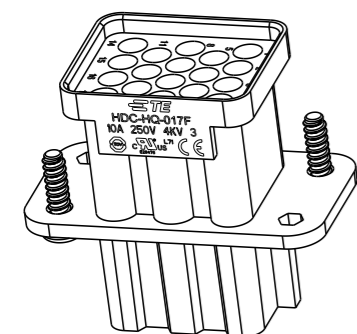
注释:

- 技术参数:
绝缘材料: PC (GRAY)
额定电压: 250V
额定电流: 10A
绝缘电阻: $\geq 400M\Omega$
脉冲电压: 4KV
污染等级: 3
阻燃等级: UL94V-0
插拔次数: 500次
接线范围: $0.14mm^2 \sim 2.5mm^2$ (AWG26-AWG14)
接线类型: 冷压接

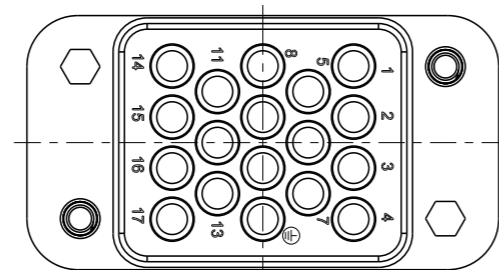
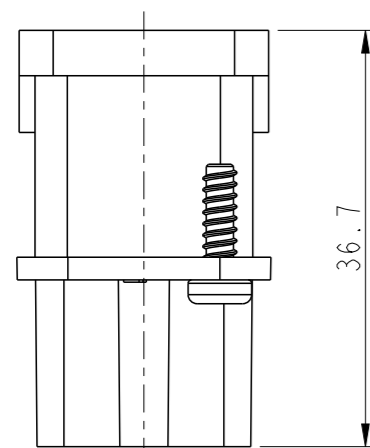
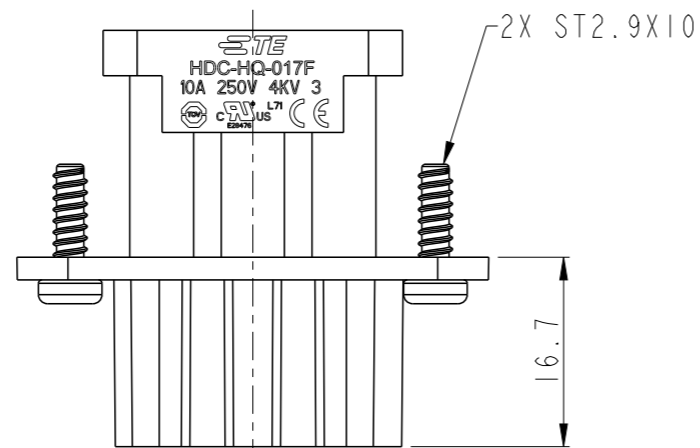
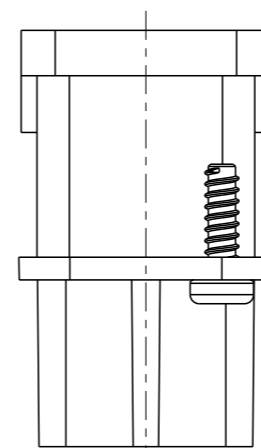
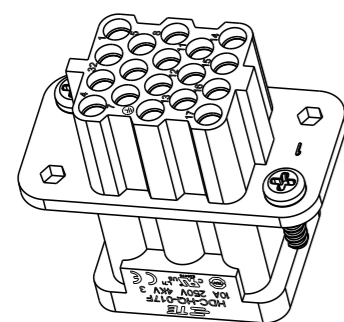
- 端子需要单独订购。
(订购单号参考图面: T20200X20XX000.)

T2080172201-000	HQ-017-F	HQ-017 FEMALE INSERT HQ-017母插
PART NUMBER 料号	PART DESCRIPTION 描述	

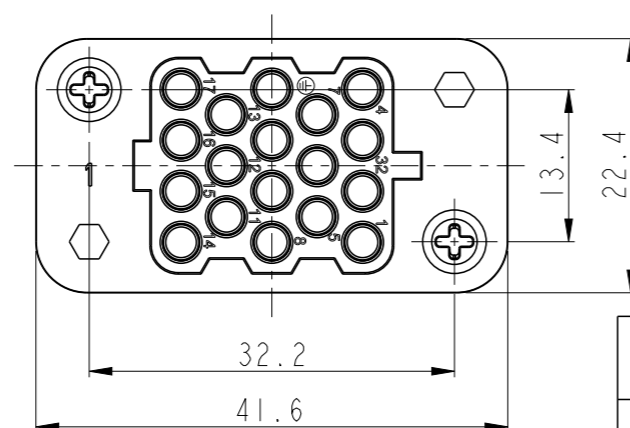
THIS DRAWING IS A CONTROLLED DOCUMENT.		DWN 13OCT2016 CHARLIE.HU	 TE Connectivity	
		CHK 13OCT2016 KYLE.ZENG		
		APVD 13OCT2016 CHRIS.WANG		
		NAME HQ-017-F		
DIMENSIONS: mm		PRODUCT SPEC 108-137116	RESTRICTED TO	
TOLERANCES UNLESS OTHERWISE SPECIFIED:		APPLICATION SPEC 114-137116	SIZE A3	CAGE CODE -
MATERIAL		WEIGHT -	DRAWING NO T2080172201000	
FINISH		SCALE 3:2		SHEET 1 OF 1
-		CUSTOMER DRAWING		REV C1




SCALE 1:1

SCALE 1:1



DIMENSIONS: mm		TOLERANCES UNLESS OTHERWISE SPECIFIED:
		0 PLC \pm -
		1 PLC \pm -
		2 PLC \pm -
		3 PLC \pm -
		4 PLC \pm -
		ANGLES - \pm
MATERIAL		FINISH
-		-

1470-19 (3/13)

Downloaded From Onevac.com

单击下面可查看定价，库存，交付和生命周期等信息

[>>TE Connectivity\(泰科\)](#)