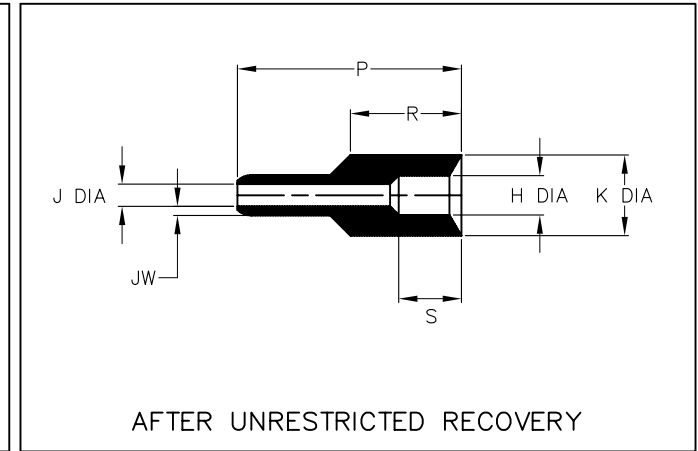
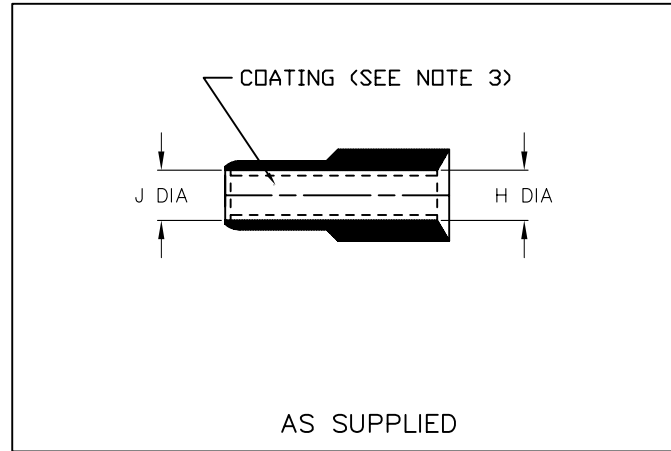


NOTES

1. ALL DIMENSIONS ARE IN $\frac{\text{INCHES}}{\text{[MILLIMETERS]}}$
2. DIMENSIONS APPEARING IN TABLE ARE AS FOLLOWS:
 - a - AS SUPPLIED
 - b - AFTER UNRESTRICTED RECOVERY
3. COATING (ADHESIVE) IS OPTIONAL. AS SUPPLIED DIMENSIONS APPEARING IN TABLE ARE FOR UNCOATED PARTS. WHEN COATING IS ADDED, ENTRY DIAMETERS WILL BE REDUCED BY .06 MAX.

| REVISIONS | | |
|-----------|---------------------------|------------|
| LTR | DESCRIPTION | DATE |
| B | REVISED PER ECO-08-016725 | 07/07/2008 |



| PART NUMBER | H | | J | | K | P | R | S | JW |
|-------------|---------------------|---------------------|---------------------|---------------------|----------------------|-----------------------|----------------------|---------------------|---------------------|
| | MIN | MAX | MIN | MAX | MIN | ±10% | REF | REF | ±20% |
| | a | b | a | b | b | b | b | b | b |
| 202E401 | $\frac{.30}{[7,6]}$ | $\frac{.22}{[5,6]}$ | $\frac{.30}{[7,6]}$ | $\frac{.12}{[3,0]}$ | $\frac{.45}{[11,4]}$ | $\frac{1.25}{[31,7]}$ | $\frac{.62}{[15,7]}$ | $\frac{.35}{[8,9]}$ | $\frac{.05}{[1,3]}$ |

If this document is printed it becomes uncontrolled. Check for the latest revision

CUSTOMER DRAWING

| | | | |
|--|------------------------|--------------------|---|
| UNLESS OTHERWISE SPECIFIED DIMENSIONS ARE INCHES. METRIC DIMENSIONS ARE IN BRACKETS. | DRAWN UNGUYEN | DATE 07/07/2008 | Raychem Molded Parts 305 Constitution Dr Menlo Park, CA 94025 |
| | RPN | | |
| DECIMAL TOLERANCES .XXX ± 0.005 [0.13 mm] .XX ± 0.01 [0.25 mm] .X ± 0.1 [0.50 mm] | THIRD ANGLE PROJECTION | | TITLE BUS CONNECTOR INSERT |
| ANGLE TOLERANCE .X ± 1 DEG. | | | SIZE B |
| © 2008 Tyco Electronics Corporation. All rights reserved. | | | DO NOT SCALE THIS DRAWING |
| | | | SHEET 1 OF 2 |

4

3

2

1

D

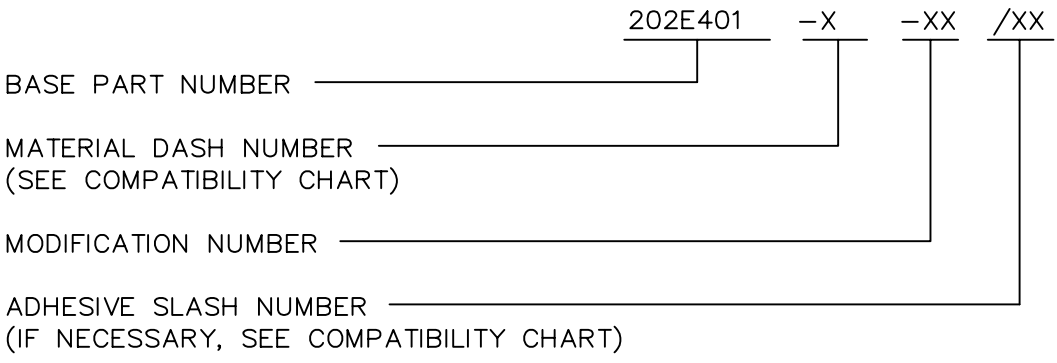
D

| COMPATIBILITY CHART | | | | | |
|---------------------|--|-------------|-------------------|----------------|---------------------|
| MATERIAL DASH NO. | MATERIAL DESCRIPTION | RT SPEC | COATING SLASH NO. | COATING SPEC | COATING DESCRIPTION |
| -3 | POLYOLEFIN, SEMI-RIGID | RT-301 | /42; /86 | S-1017; S-1048 | ADHESIVE |
| -4 | POLYOLEFIN, FLEXIBLE | RT-1304 | /42; /86 | S-1017; S-1048 | ADHESIVE |
| -25 | ELASTOMER, FLUID RESISTANT | RT-1325 | /86 | S-1048 | ADHESIVE |
| -100 | POLYOLEFIN, SEMI-FLEXIBLE ZEROHAL | RT-1323 | /86; /180 | S-1048; S-1030 | ADHESIVE |
| -770 | BM BOOTS FOR SYST. 700, NBC RESISTANT | RT-770 (II) | N/A | | |

C

C

ORDERING INFORMATION



B

B

A

A

If this document is printed it becomes uncontrolled. Check for the latest revision

CUSTOMER DRAWING

| | | | | |
|---------------------------|----------|-----|----------|--------------|
| SIZE | DWG. NO. | REV | DWG. NO. | 202E401 |
| B | 06090 | B | | |
| DO NOT SCALE THIS DRAWING | | | | SHEET 2 OF 2 |

4

3

2

1

单击下面可查看定价，库存，交付和生命周期等信息

[>>TE Connectivity\(泰科\)](#)