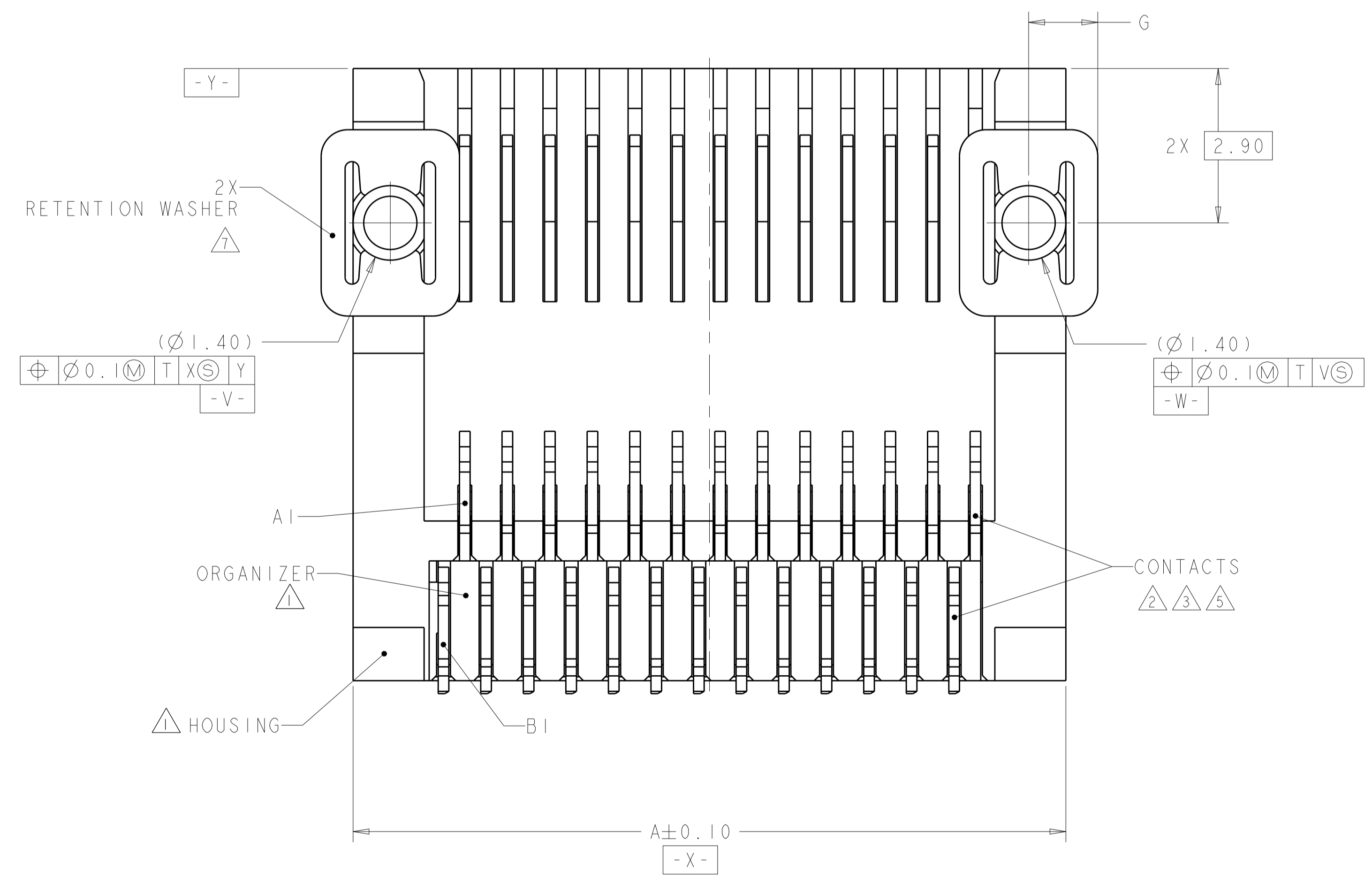
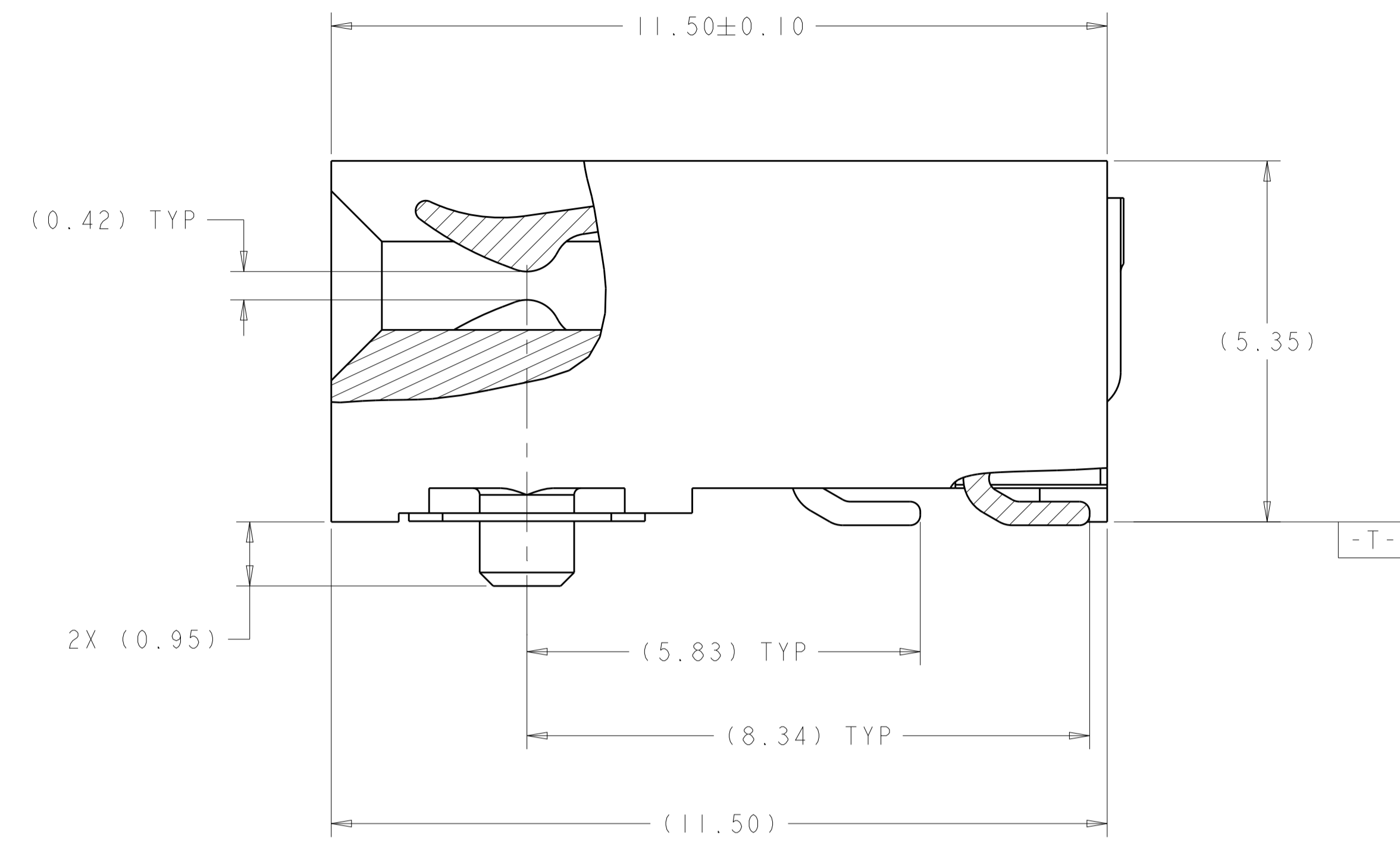
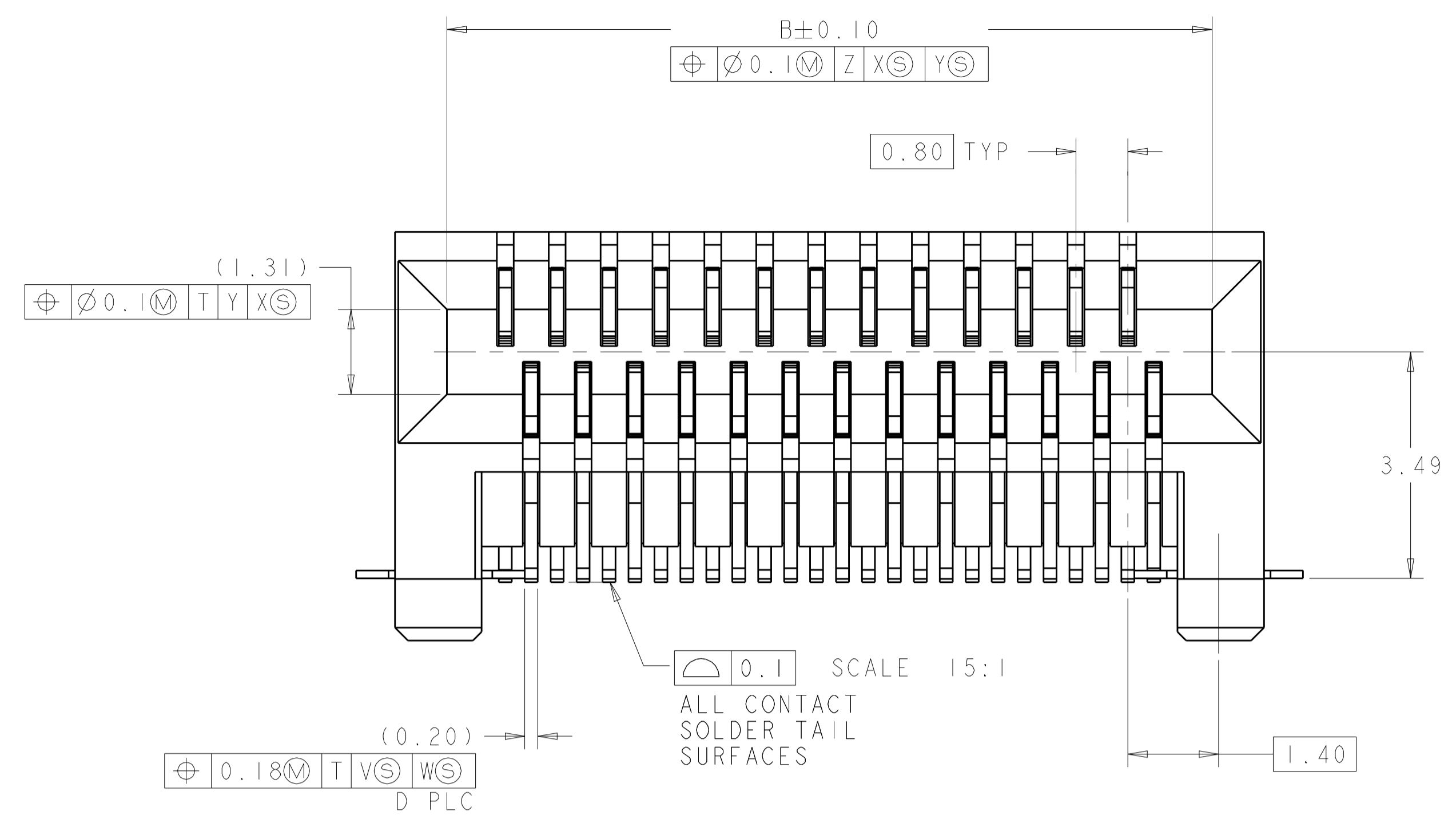


| REVISIONS | | | | |
|-----------|-----|----------------------------|-----------|-------|
| P. | LTN | DESCRIPTION | DATE | APVD |
| A | | RELEASED PER ECO-09-022463 | 23OCT2009 | CR DG |
| A1 | | RELEASED PER ECR-14-000965 | 22JAN2014 | RG MC |
| B | | REVISED PER ECO-16-017056 | 22NOV2016 | RG SH |
| C | | REVISED PER ECO-19-013178 | 27AUG2019 | TX SH |



- 1 MATERIAL: LCP, BLACK.
- 2 MATERIAL: PHOSPHOR BRONZE PER ASTM B 103.
- 3 FINISH: $0.76 \mu\text{m}$ MIN GOLD PLATE PER ASTM B 488, APPLIES TO INTERFACE AREA AND $2.03 \mu\text{m}$ MIN TIN PLATE SOLDER TAILS, ALL OVER $3.81 \mu\text{m}$ MIN NICKEL PLATE PER QQ-N-290.
- 4 DATUM AND BASIC DIMENSION ESTABLISHED BY CUSTOMER.
- 5 FINISH: $0.38 \mu\text{m}$ MIN GOLD PLATE PER ASTM B 488, APPLIES TO INTERFACE AREA AND $2.03 \mu\text{m}$ MIN TIN PLATE SOLDER TAILS, ALL OVER $3.81 \mu\text{m}$ MIN NICKEL PLATE PER QQ-N-290.
- 6. TAPE AND REEL PACKAGED.
- 7 MATERIAL: NICKEL SILVER ALLOY. C77000.
- 8 PACKAGE SPEC (TAPE&REEL): WIDTH 32mm X PITCH 16mm

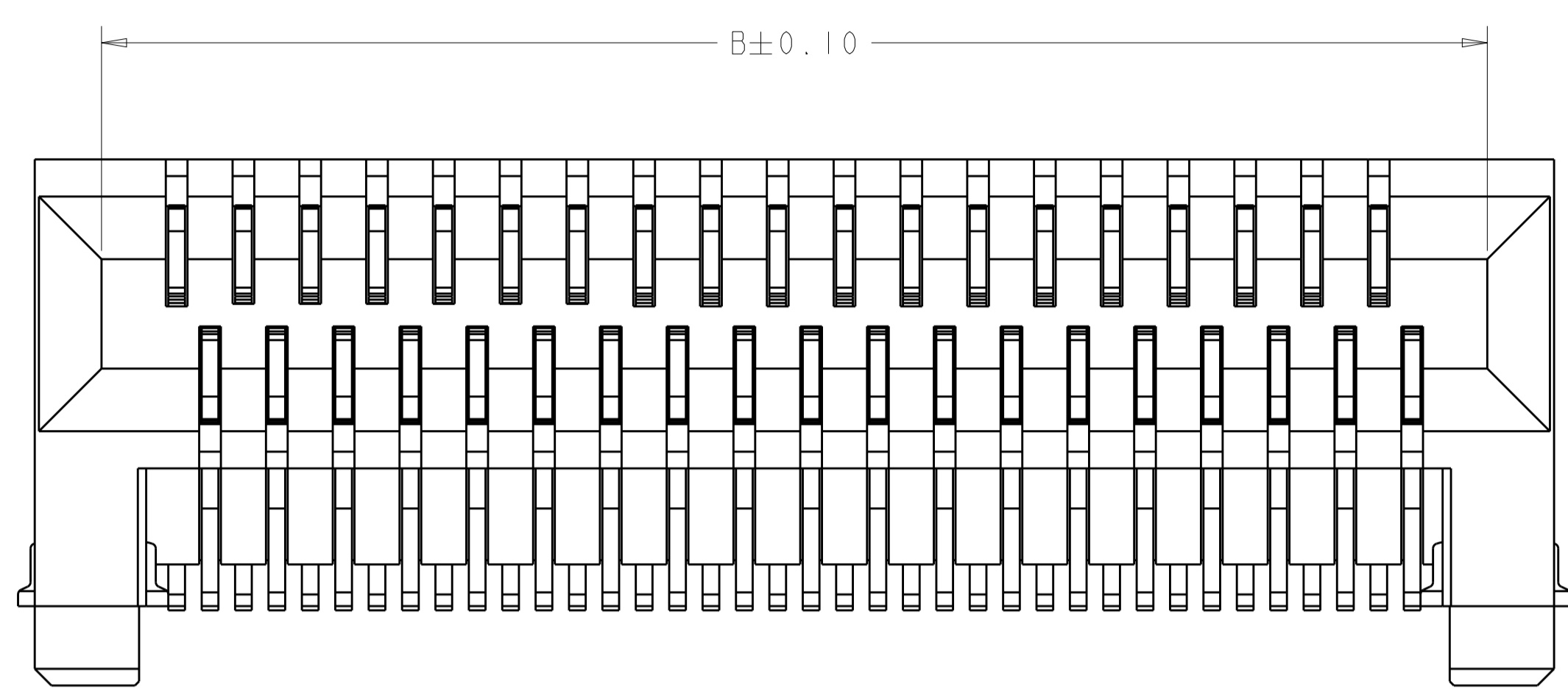
| FINISH | SIZE | | | | | | | PART NUMBER |
|--------|------|------|----|------|------|------|------|-------------|
| | F | E | D | C | B | A | POSN | |
| 5 | 68 | 28.8 | 68 | 14.8 | 28.6 | 30.2 | 68 | 1-2007570-5 |
| | 38 | 16.8 | 38 | 8.4 | 16.6 | 18.1 | 38 | 1-2007570-4 |
| | 54 | 23.2 | 54 | 11.6 | 23 | 24.6 | 54 | 1-2007570-3 |
| | 50 | 21.6 | 50 | 10.8 | 21.4 | 23 | 50 | 1-2007570-2 |
| | 36 | 16 | 36 | 8 | 15.8 | 17.4 | 36 | 1-2007570-1 |
| 3 | 26 | 12 | 26 | 6 | 11.8 | 13.4 | 26 | 1-2007570-0 |
| | 68 | 28.8 | 68 | 14.8 | 28.6 | 30.2 | 68 | 2007570-6 |
| | 38 | 16.8 | 38 | 8.4 | 16.6 | 18.1 | 38 | 2007570-5 |
| | 54 | 23.2 | 54 | 11.6 | 23 | 24.6 | 54 | 2007570-4 |
| | 50 | 21.6 | 50 | 10.8 | 21.4 | 23 | 50 | 2007570-3 |
| | 36 | 16 | 36 | 8 | 15.8 | 17.4 | 36 | 2007570-2 |
| | 26 | 12 | 26 | 6 | 11.8 | 13.4 | 26 | 2007570-1 |

THIS DRAWING IS A CONTROLLED DOCUMENT. DIMENSIONS: mm. TOLERANCES UNLESS OTHERWISE SPECIFIED: 0 PLC ± 0.25 , 1 PLC ± 0.13 , 2 PLC ± 0.13 , 3 PLC ± 0.13 , 4 PLC ± 0.13 , ANGLES ± 0.1 , FINISH ± 0.1 .

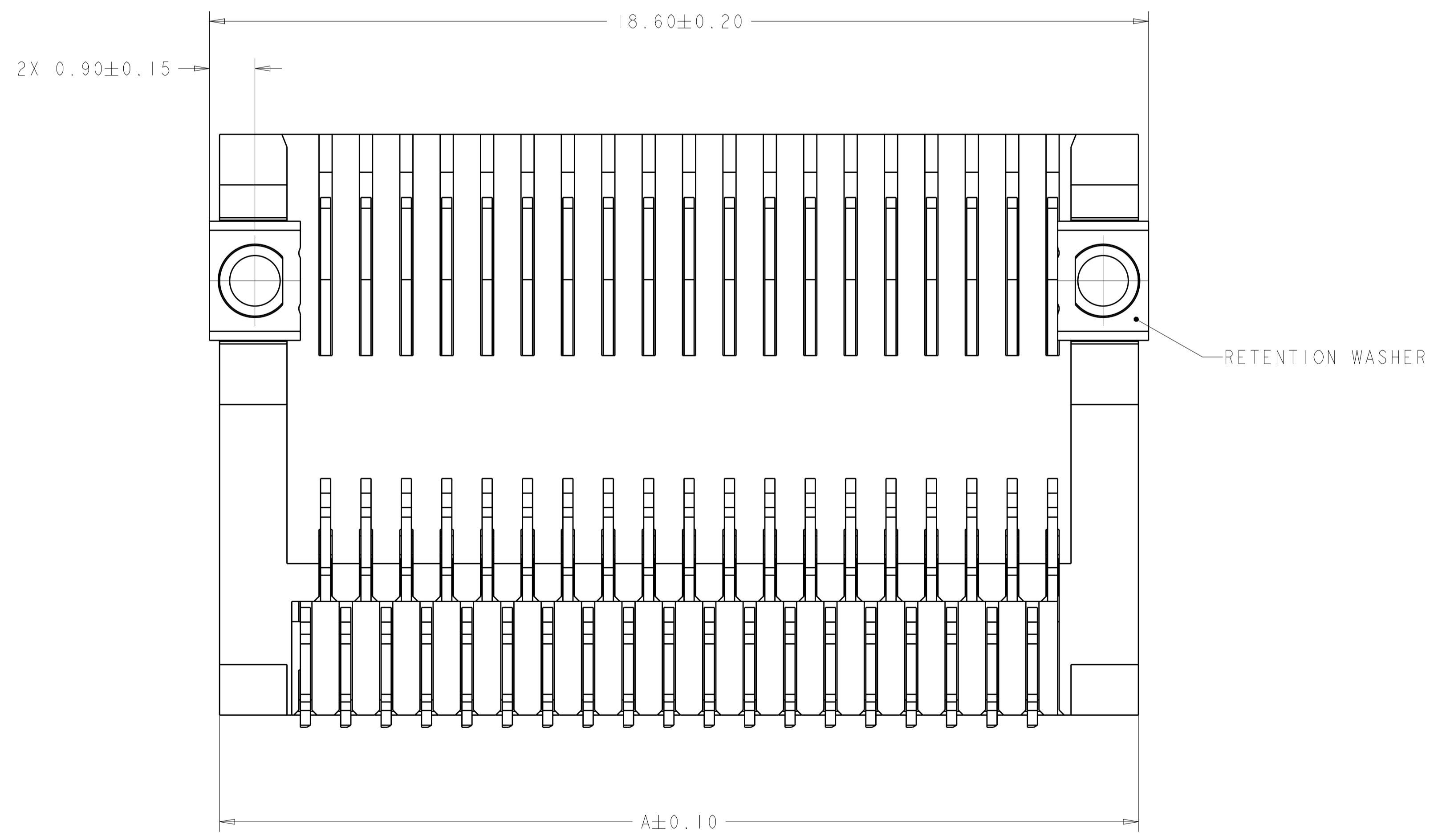
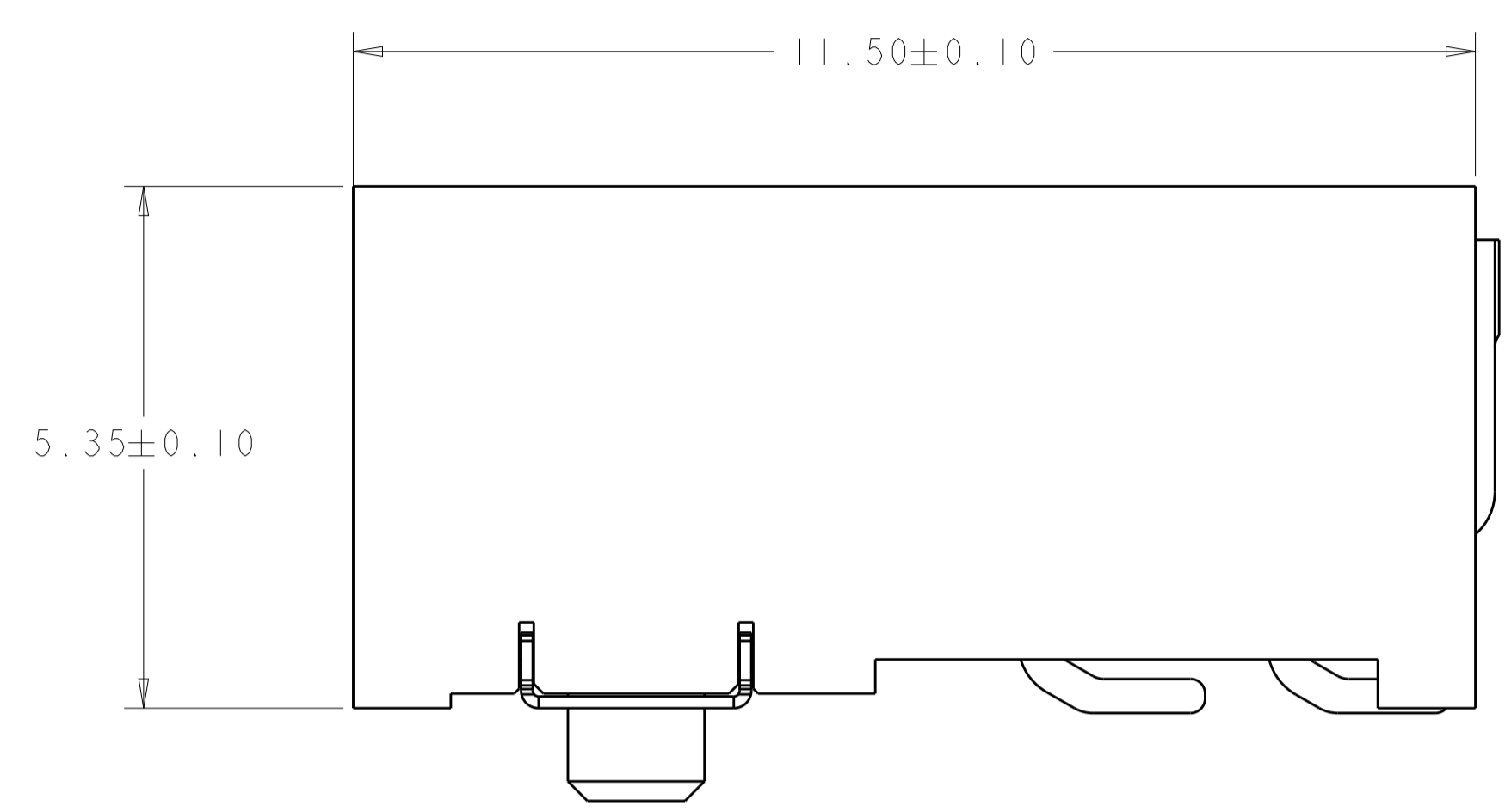
APVD: POLIGNONE 17JAN08, BRIGHT 17JAN08, BRIGHT 17JAN08. NAME: EVERCLEAR Mini-SAS, CONNECTOR ASSEMBLY, RECEPTACLE, RIGHT ANGLE, SURFACE MOUNT. SIZE: A100779. WEIGHT: -. SCALE: 15:1. SHEET: 1 OF 3. REV: C.

TE Connectivity logo and text.

| REVISIONS | | | | |
|-----------|-----|-------------|------|------|
| P. | LTN | DESCRIPTION | DATE | APVD |
| - | - | SEE SHEET 1 | - | - |
| | | | | |
| | | | | |



SCALE 15:1

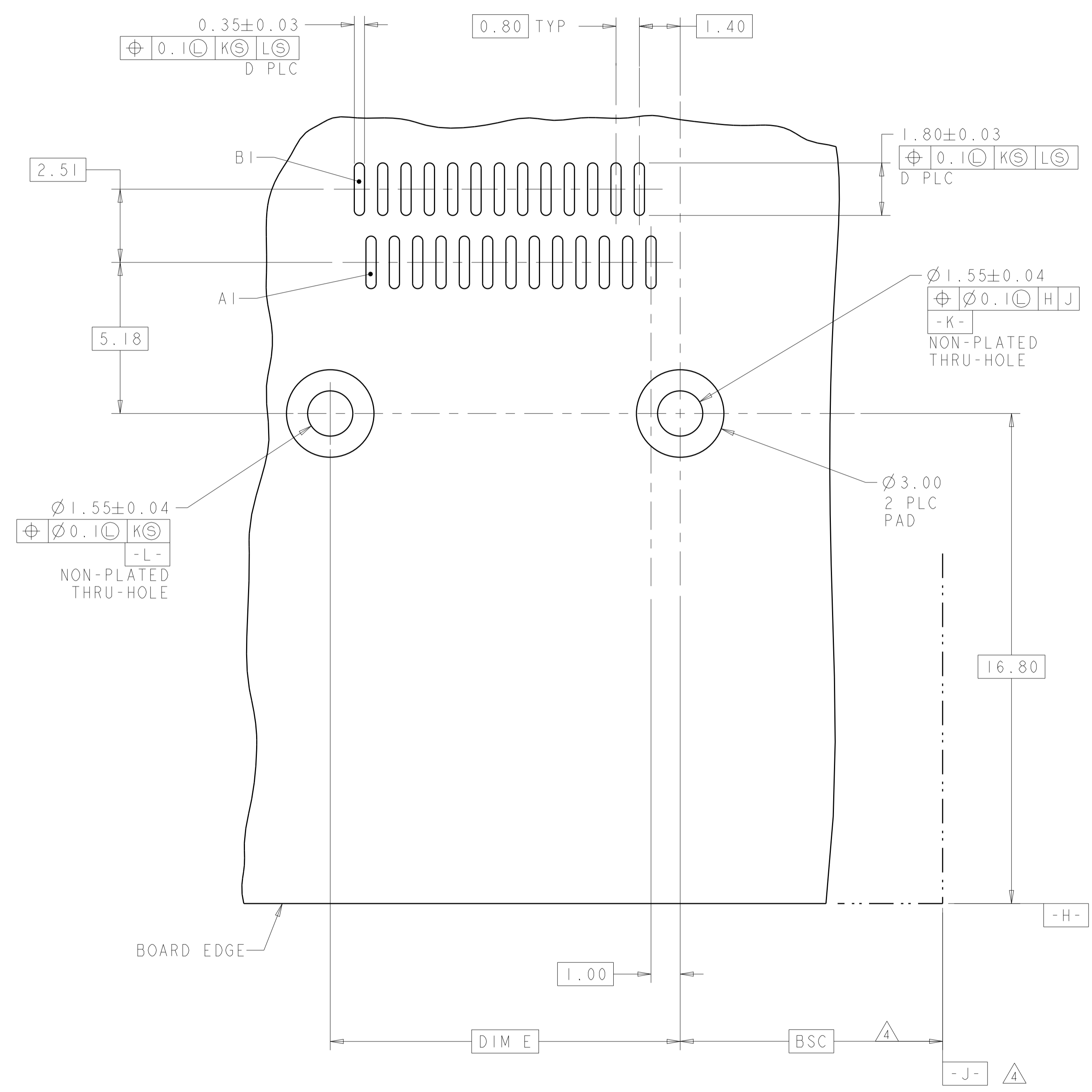


UN-SPECIFIED DIMENSION ALL REFER TO SHEET 1

| | | | | | | | | | |
|--------|----|----|------|----|-----|------|------|-------------|-------------|
| △8 | △5 | 38 | 16.8 | 38 | 8.4 | 16.6 | 18.1 | 38 | 2-2007570-6 |
| | △5 | 38 | 16.8 | 38 | 8.4 | 16.6 | 18.1 | 38 | 1-2007570-6 |
| | △3 | 38 | 16.8 | 38 | 8.4 | 16.6 | 18.1 | 38 | 2007570-7 |
| FINISH | F | E | D | C | B | A | POSN | PART NUMBER | |

| | | | |
|---|--|--------------------------------|--|
| THIS DRAWING IS A CONTROLLED DOCUMENT. | | DWN J. POLIGNONE 17JAN08 | TE Connectivity |
| DIMENSIONS: mm | | CHK E. BRIGHT 17JAN08 | |
| TOLERANCES UNLESS OTHERWISE SPECIFIED: | | APVD E. BRIGHT 17JAN08 | NAME EVERCLEAR Mini-SAS, CONNECTOR ASSEMBLY, RECEPTACLE, RIGHT ANGLE, SURFACE MOUNT |
| 0 PLC ± 1 PLC ±0.25 2 PLC ±0.13 3 PLC ± 4 PLC ± ANGLES ± FINISH ± | | PRODUCT SPEC | RESTRICTED TO |
| MATERIAL TBD | | APPLICATION SPEC | SIZE CAGE CODE DRAWING NO |
| | | WEIGHT | A100779C=2007570 |
| | | CUSTOMER DRAWING | SCALE 15:1 SHEET 2 OF 3 REV C |

| REVISIONS | | | | |
|-----------|-----|-------------|------|------|
| P. | LTN | DESCRIPTION | DATE | APVD |
| - | - | SEE SHEET 1 | - | - |
| | | | | |
| | | | | |



RECOMMEND PCB LAYOUT
SCALE 10:1

| | | | | |
|--|---|--------------------------------|--|-------|
| THIS DRAWING IS A CONTROLLED DOCUMENT. | | DWN J. POLIGNONE 17JAN08 | TE Connectivity | |
| DIMENSIONS: | | CHK E. BRIGHT 17JAN08 | NAME EVERCLEAR Mini-SAS, CONNECTOR ASSEMBLY, RECEPTACLE, RIGHT ANGLE, SURFACE MOUNT | |
| mm | TOLERANCES UNLESS OTHERWISE SPECIFIED: | APVD E. BRIGHT 17JAN08 | PRODUCT SPEC | |
| | 0 PLC ± 1 PLC ±0.25 2 PLC ±0.13 3 PLC ± 4 PLC ± ANGLES ± | APPLICATION SPEC | SIZE CAGE CODE DRAWING NO RESTRICTED TO | |
| MATERIAL TBD | FINISH | WEIGHT | A100779C=2007570 | |
| CUSTOMER DRAWING | | SCALE 10:1 | SHEET 3 OF 3 | REV C |

单击下面可查看定价，库存，交付和生命周期等信息

[>>TE Connectivity\(泰科\)](#)