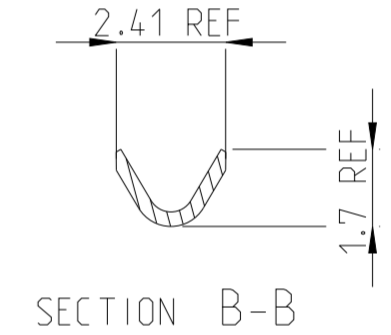
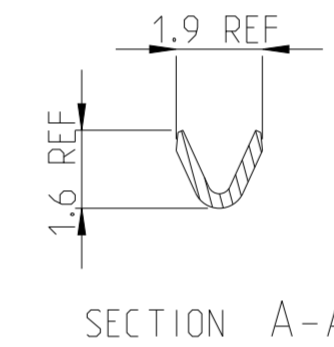
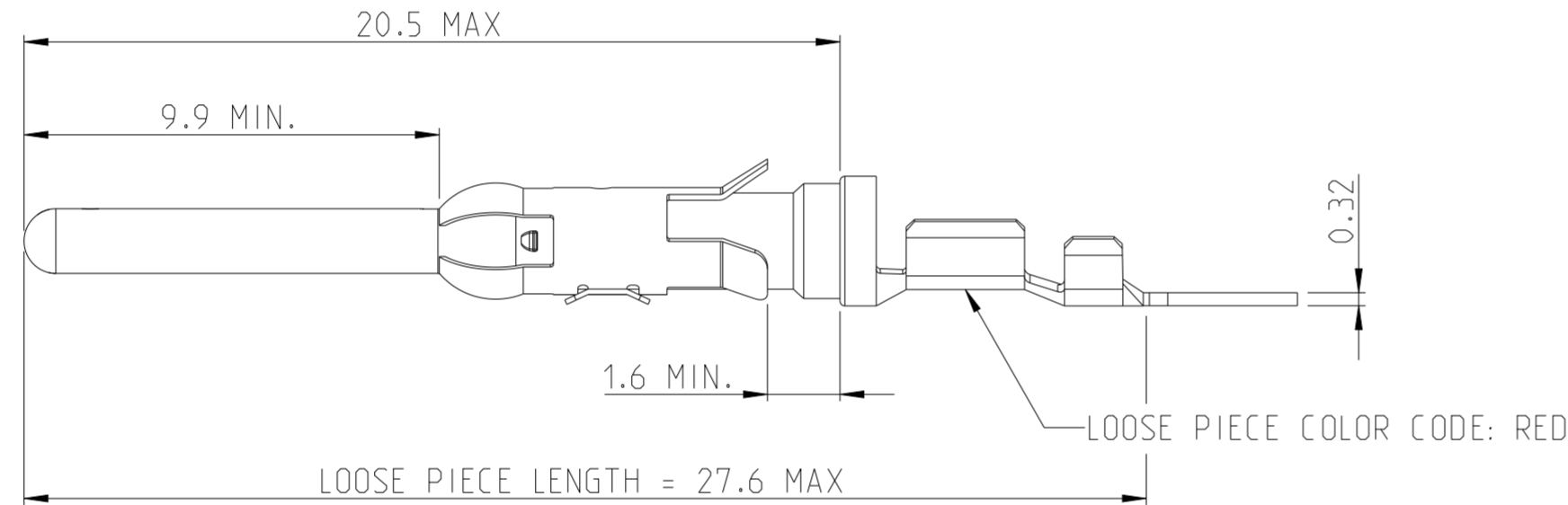
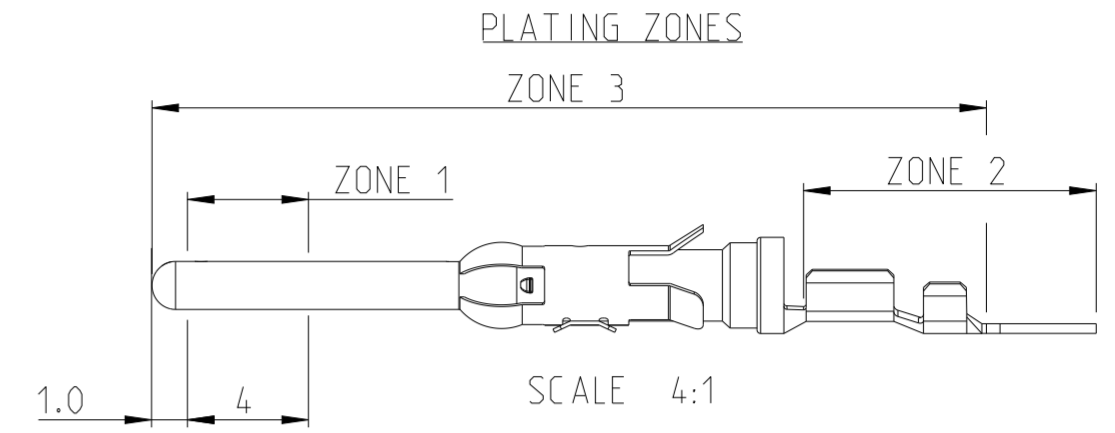
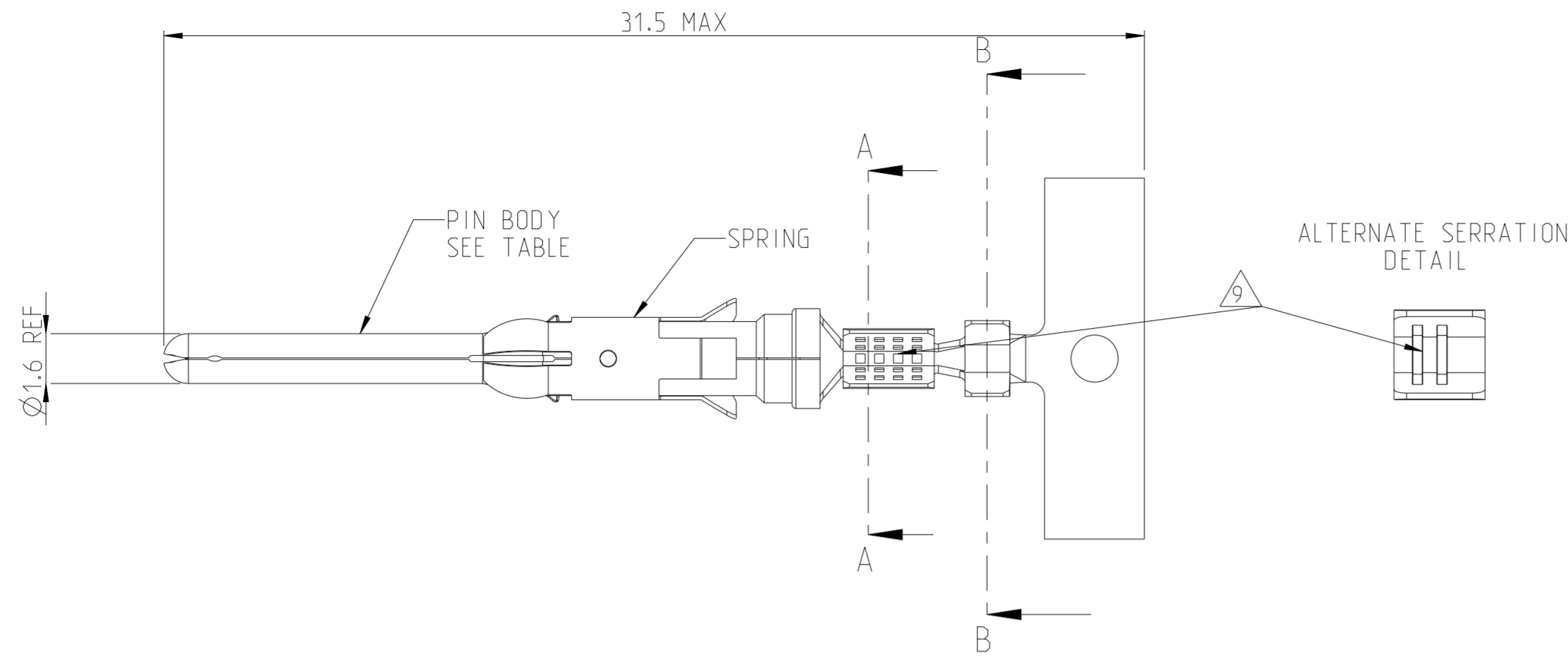


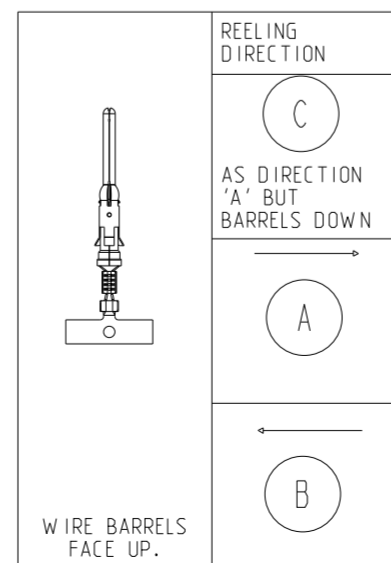
THIS DRAWING IS UNPUBLISHED. RELEASED FOR PUBLICATION 2011  
 © COPYRIGHT 2011 ALL RIGHTS RESERVED.

LOC	DIST	REVISIONS			
P	LTR	DESCRIPTION	DATE	DWN	APVD
B	-	AB	ECO-21-006957	25JUN2021	RK MZ



NOTES

- 1 1.27 MICRON MIN NICKEL PLATE OVER ZONE 3.  
0.76 MICRON MIN PRECIOUS METAL PLATE OVER ZONE 1.  
1 MICRON MIN TIN PLATE OVER ZONE 2.  
(CONFORMS TO THE REQUIREMENTS OF TE CONNECTIVITY PRODUCT SPEC 108-10042  
BASED ON EIA/ECA-364-1000.01A (CONTROLLED ENVIRONMENT APPLICATIONS)
- 2 1.27 MICRON MIN NICKEL PLATE OVER ZONE 3.  
0.76 MICRON MIN PRECIOUS METAL PLATE OVER ZONE 1.  
0.076 MICRON MIN GOLD FLASH PLATE OVER THE REMAINDER OF ZONE 3.  
(CONFORMS TO THE REQUIREMENTS OF TE CONNECTIVITY PRODUCT SPEC 108-10042  
BASED ON EIA/ECA-364-1000.01A (CONTROLLED ENVIRONMENT APPLICATIONS)
- 3 1.54 - 2.54 MICRON SILVER PLATE OVER ZONE 3.
- 4 1.27 MICRONS MIN NICKEL PLATE OVER ZONE 3.  
0.76 MICRON MIN GOLD PLATE OVER ZONE 1.  
0.076 MICRON MIN GOLDFLASH PLATE OVER THE REMAINDER OF ZONE 3.
- 5 1.27 MICRONS MIN NICKEL PLATE OVER ZONE 3.  
0.76 MICRONS MIN GOLD PLATE OVER ZONE 1.  
1 MICRON MIN TIN PLATE OVER ZONE 2.
- 6 HOT-DIPPED PRETIN
- 7 1.27 MICRON MIN NICKEL PLATE OVER ZONE 3.  
1 - 3 MICRONS ELECTRO-TIN PLATE OVER ZONE 3
- 8 0.76 MICRONS MIN NICKEL PLATE OVER ZONE 3 PER QQ-N-290  
1.5 - 2.54 MICRONS SILVER PLATE OVER ZONE 3.
- 9 SERRATIONS CAN BE MULTILOCK OR TWO SLOTS
- 10. WIRE RANGE: 0.12-0.20 mm<sup>2</sup> (26-24 AWG)
- 11. INSULATION RANGE: 0.9-1.4 mm (.035-.055) DIA
- 12 LUBRICATE
- 13. OMISSION OF 6 CONTACTS MAX PER REEL OF 5000PCS.



THIS DRAWING IS A CONTROLLED DOCUMENT.

DIMENSIONS:	TOLERANCES UNLESS OTHERWISE SPECIFIED:
mm	0 PLC ±0.5
	1 PLC ±0.25
	2 PLC ±0.15
	3 PLC ±0.15
	4 PLC ±
	ANGLES ±2°
	FINISH
MATERIAL	SEE TABLE

REELING	FINISH	SPRING MATERIAL	PIN BODY	LOOSE PIECE	PART NUMBER
A	12	7	STAINLESS STEEL	BRASS	1-163089-3
A	1	7	STAINLESS STEEL	BRASS	1-163089-1
B	1	7	STAINLESS STEEL	BRASS	1-163090-0 1-163089-0
A	7	7	STAINLESS STEEL	BRASS	163090-1 163089-9
A	1	7	STAINLESS STEEL	BRASS	163090-2 163089-8
B	7	7	STAINLESS STEEL	BRASS	163089-1

DWN J. BRIGHT 26/03/12  
 CHK M. GREENER 26/03/12  
 APVD D. PENNINGTON 26/03/12  
 PRODUCT SPEC 108-10042  
 APPLICATION SPEC 114-10004  
 WEIGHT -  
 CUSTOMER DRAWING

**STE** TE Connectivity  
 NAME TYPE III+, SIZE 16, PIN ASS'Y  
 26-24 AWG, 0.9-1.4mm DIA INSULATION  
 SIZE A2 CAGE CODE 00779 DRAWING NO C-163089 RESTRICTED TO  
 SCALE NTS SHEET 1 OF 1 REV AB

单击下面可查看定价，库存，交付和生命周期等信息

[>>TE Connectivity\(泰科\)](#)