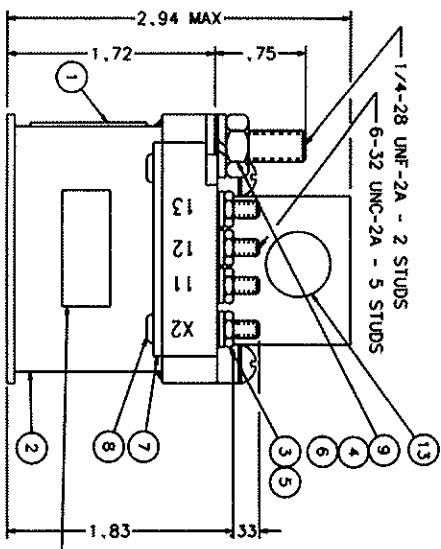
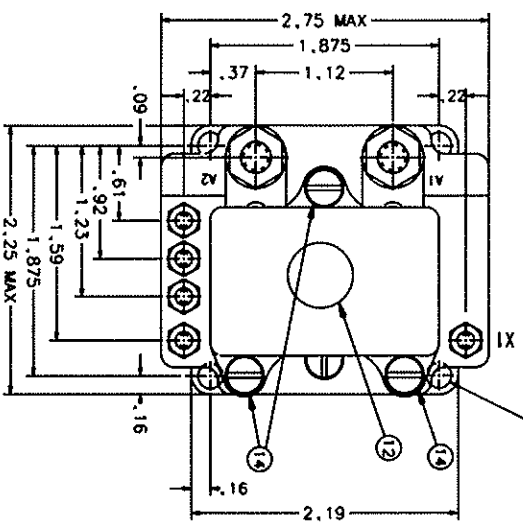


FAA-PMA

.203 DIA HOLE
4 MTG HOLES
SEE NOTE 5



CONSTRUCTION

MAIN CONTACTS

CONFIGURATION
VOLTAGE (NOM.)

CURRENT RES.

AUXILIARY CONTACTS

CONFIGURATION
VOLTAGE
CURRENT RES.

COIL DATA

MAX OPERATE
MIN OPERATE
PICKUP AT 25°C
DROPOUT
RES AT 25°C
DUTY CYCLE

ENVIRONMENTAL DATA

AMBIENT TEMP
VIBRATION
LIFE ELECTRICAL
LIFE MECHANICAL
WEIGHT MAX (EST)

GASKET SEALED, SILASTIC SEALED

SPST N.O.

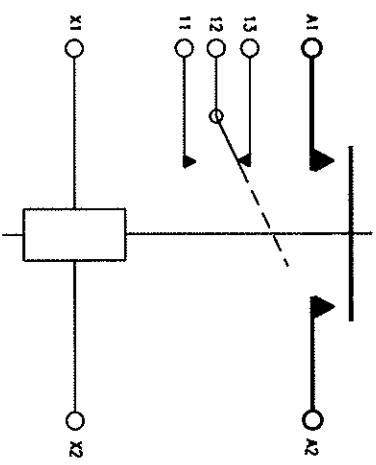
28 VDC
100 AMP

SPDT
28 VDC
5 A

32 VDC
24 VDC
16.5 V MAX.
1 TO 7 VDC
70 OHM ±20%
CONTINUOUS

-55°C TO +71°C
10G'S 55-1000
50,000 CYCLES MIN
100,000 CYCLES MIN
1 LB 8 OZ

REV	DESCRIPTION	DATE	APPROVED
K	31478 ADDED NOTE 4	96/11/13	RS
L	39029 QTY. OF ITEM 12 WAS 1. QTY. OF ITEM 13 WAS 4	99/03/19	RS
M	42105 FIND 11 WAS 39529-055. NOTE 5 ADDED	00/03/31	RS
N	42727 UPDATED VIEW OF COVER BRIDGE AND NOTE 3	00/06/22	CC
P	43913 RELOCATED 1.83 DIA TO TOP OF NUT	01/01/19	CC
R	6471-04 ITEM 1 WAS 41695-001. REMOVED ITEM 11	04/06/01	CC



- NOTES:
- THIS UNIT MEETS THE MATERIAL AND WORKMANSHIP REQUIREMENTS OF MIL-R-6106.
 - TERMINALS A1 AND A2 ARE STAINLESS STEEL. AUXILIARY AND COIL TERMINALS ARE BRASS. ALL TERMINALS AND TERMINAL HARDWARE ARE SILVER PLATED.
 - RELAY BODY CONSTRUCTED OF MAGNETIC IRON AND PAINTED WITH BLACK LAQUER. TERMINAL INSULATION MATERIAL AND COVER BRIDGE ARE MINERAL GLASS POLYESTER PER ASTM D5948.
 - FAA/PMA PLATE (AND OVERLAY) NOT REQUIRED ON UNITS SUPPLIED TO ORIGINAL EQUIPMENT MANUFACTURERS.
 - PAINT REMOVED FROM 2 OPPOSITE MTG HOLES, TOP & BOTTOM, FOR GROUNDING PURPOSES.

NO	QTY	IDENTIFYING NO	PART OR IDENTIFYING NO	NON-EXHAUSTIVE OR DESCRIPTION	DRAWING OR SPECIFICATION	MATERIAL OR NOTE
15	1		39529-024	OVERLAY - FAA/PMA		
14	AR		54102-001	GLYTOL		
13	2		57300-032	BLACK VINYL MARKING #4072V		
12	4		57200-038	BLACK VINYL MARKING #4112V		
10	1		58400-001	PLATE - FAA/PMA		
9	2		51703-064	WASHER 1/2x17/64x.032		BRASS
8	4		51200-020	SCREW PAN HD No. 4 x 1/4	SHEET METAL	S.S.
7	2		34290-001	PLATE - COVER		
6	2		51807-034	WASHER LOCK 1/4 SPLIT		BRONZE
5	2		51806-014	WASHER LOCK No. 6 SPLIT		BRONZE
4	2		50407-364	NUT, HEX 1/4-20x7/16x3/16		BRASS
3	5		50406-014	NUT, HEX 6-32x3/16x5/64		BRASS
2	1		36281-010	CONTACTOR ASSEMBLY-PRIMARY		
1	1		47618-002	PLATE - NAME		

UNLESS OTHERWISE SPECIFIED DIMENSIONS ARE IN INCHES
10 EDWARDS DR

DR BY: CSC 01/02/13
CHK BY: CC 01/02/13
ENGR: JL 01/02/14
MFG: NH 01/02/15

SCALE: NONE SHEET

74063

REF TYCO P/N 0-1616055-3

Raytheon Electronics
175 N. DIAMOND STREET WASHINGTON, OHIO 44892

CONTACTOR - S.P.S.T. N.O.
100 AMP, 28 VDC

093

单击下面可查看定价，库存，交付和生命周期等信息

[>>TE Connectivity\(泰科\)](#)