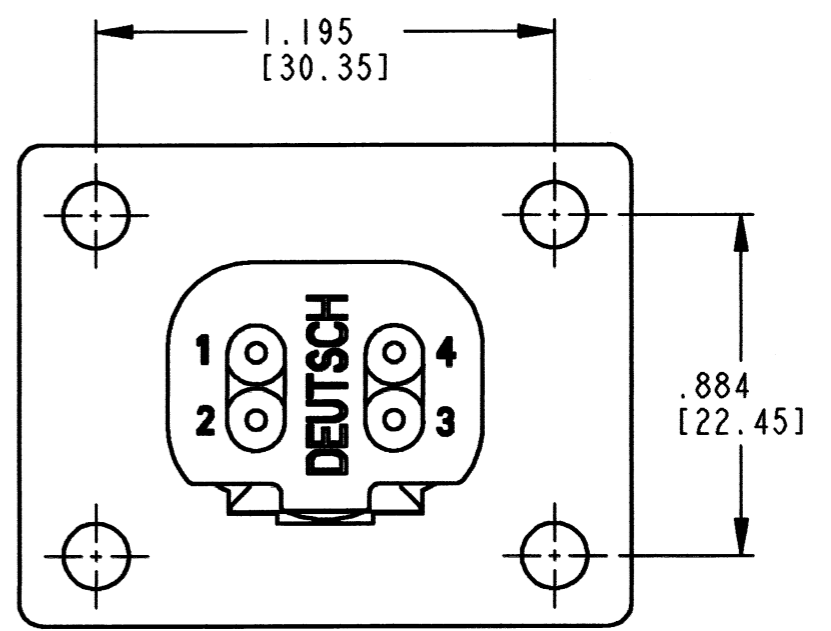
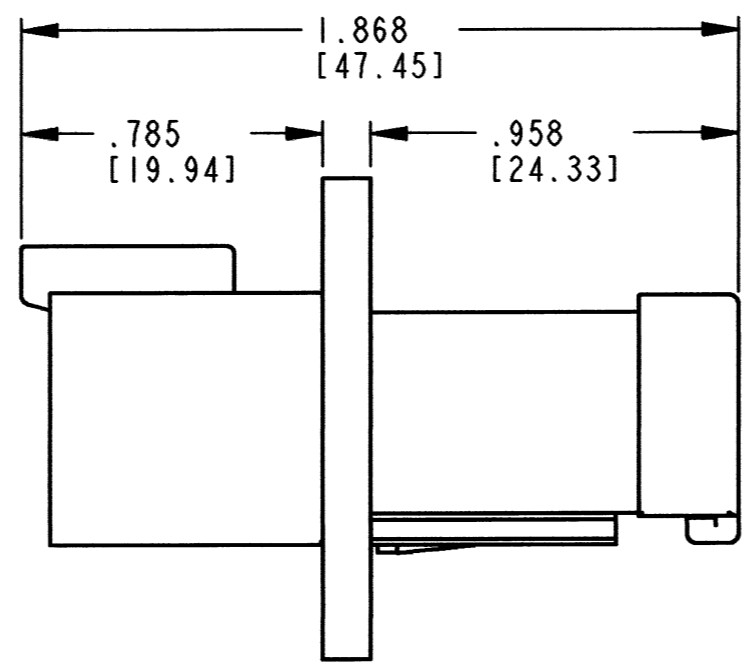
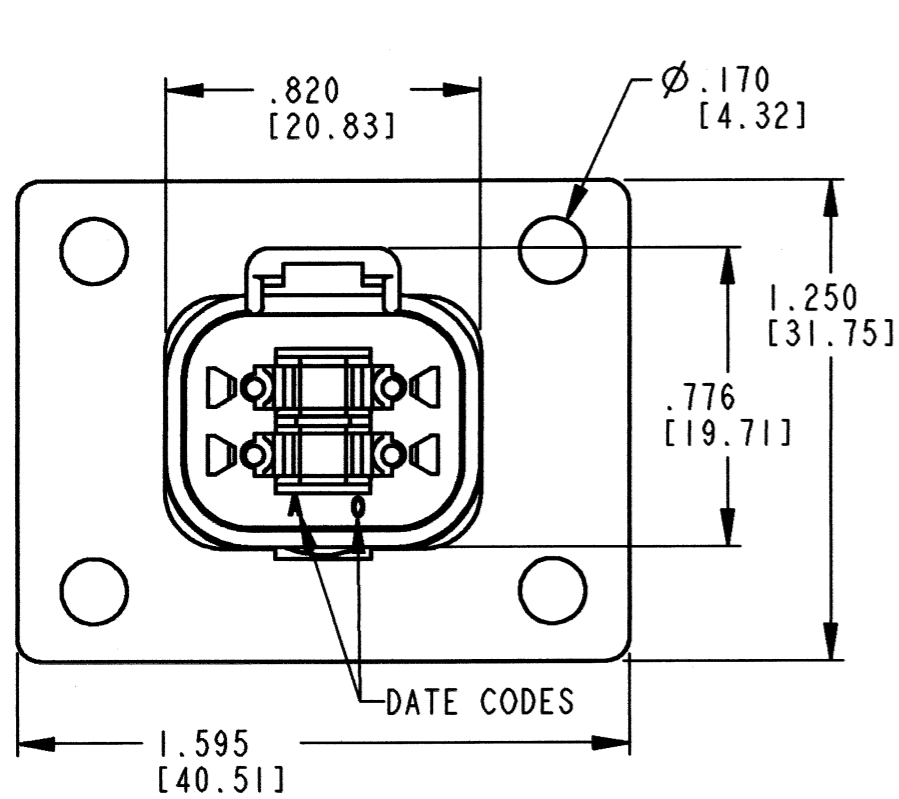


REV  
C DT04-4P-LE11

REVISIONS			
SYM	DESCRIPTION	DATE	APPROVED
NC	NEW RELEASE PER E.O. P16770	7/21/00	R.D.R.
A	REVISED PER E.O. P19497	4/27/07	R.D.R.
B	REVISED PER E.O. P20483	5/28/10	R.D.R.
C	REVISED PER E.O. P20683	12-6-10	ADR

CONTACT SIZE	MIN. INSUL. O.D.	MAX. INSUL. O.D.	WIRE RANGE [mm <sup>2</sup> ]
16	.088 [2.23]	.145 [3.68]	14-20 AWG [2.0-0.5]



-DATE CODE-  
 MONTH IS REPRESENTED BY SEQUENTIAL ALPHA CHARACTERS.  
 EX: A = JANUARY  
 YEAR IS REPRESENTED BY LAST DIGIT. EX. 0 = 2010

- NOTES:
- DIMENSIONS ARE IN INCHES [MILLIMETERS].
  - DIMENSIONS ARE  $\pm .025$  [0.63] UNLESS OTHERWISE SPECIFIED.
  - FOR CONTACTS AND WIRE PERFORMANCE AND APPLICATION CHARACTERISTICS SEE ENVELOPE DRAWING 0425-015-0000 AND 0425-017-0000.
  - THIS RECEPTACLE MATES WITH DT06-4S-\*\*\*\* (\*\*\*\* = ALL MODIFICATIONS.) CONSULT FACTORY FOR MODIFICATIONS.
  - MATERIAL - SHELL: PLASTIC; SEAL: RUBBER

SIGNATURE & DATE	
DR	T. YOHANNES 7/17/00
CHK	<i>[Signature]</i> 12/6/2010
PE	R. Messinger (12/11/10)
APPD	<i>[Signature]</i> 12-1-10
SCALE	NONE WT

**4 WAY RECEPTACLE W/FLANGE AND WELD CAP**  
**COLOR: BLACK**  
**DT SERIES**

ENVELOPE

EP	MATL. CODE
3850 INDUSTRIAL AVE. HEMET, CA 92545	
<b>B</b>	<b>DT04-4P-LE11</b>
DWG SIZE	CODE 11139 SHEET   OF

单击下面可查看定价，库存，交付和生命周期等信息

[>>TE Connectivity\(泰科\)](#)