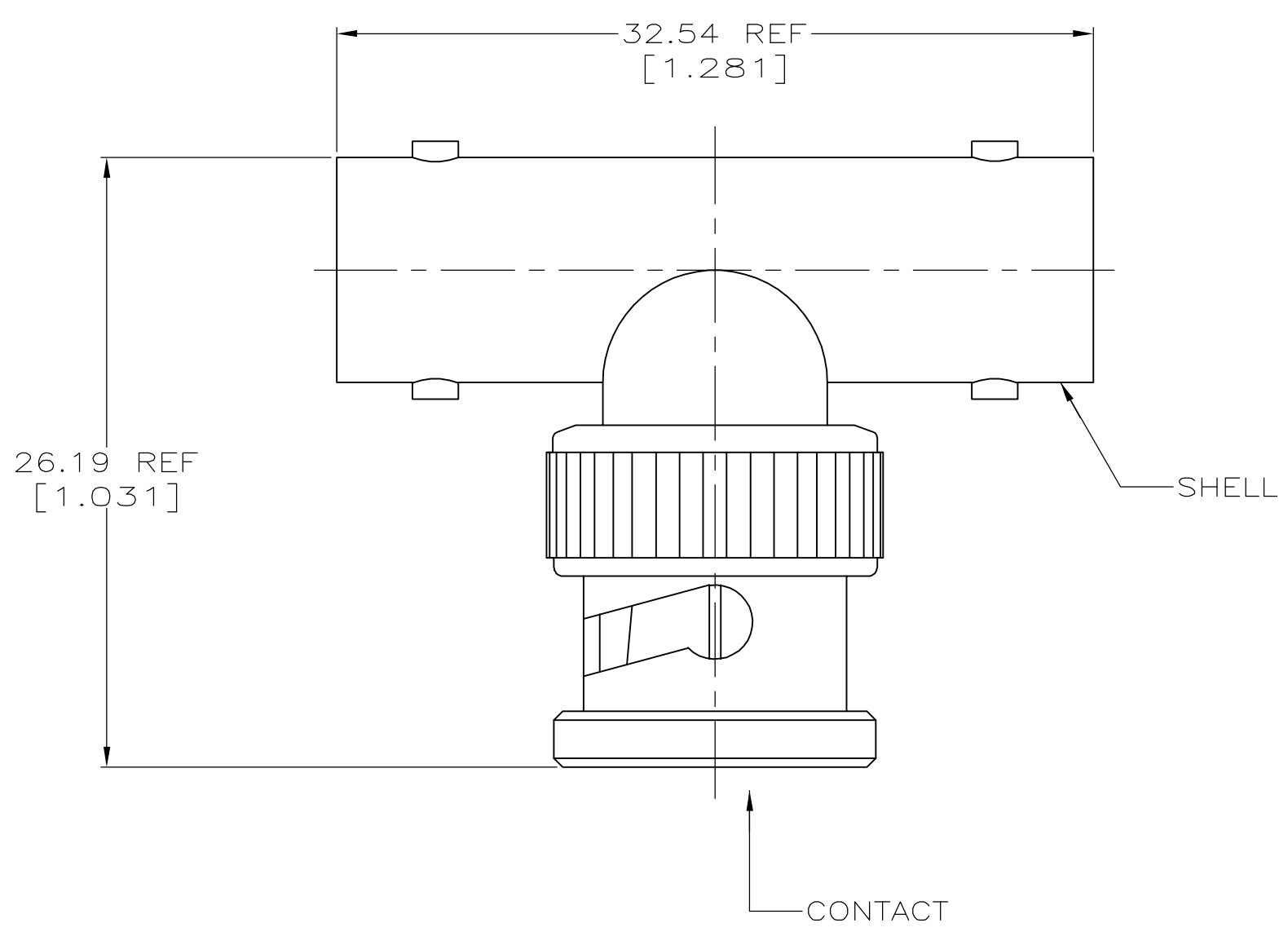


THIS DRAWING IS UNPUBLISHED. RELEASED FOR PUBLICATION  
 © COPYRIGHT BY TYCO ELECTRONICS CORPORATION. ALL RIGHTS RESERVED.

LOC	DIST	REVISIONS			
P	LTR	DESCRIPTION	DATE	DWN	APVD
AJ	16	F	REVISED PER EC OS14-0456-04	09MAY05	BM JL

1. COMPARABLE TO UG/U CONNECTOR 274A
2. PART MAY BE INNER-MATED WITH PRODUCT PER MIL-C-39012
3. MATERIAL:  
 DIELECTRIC: PTFE  
 JACK, CENTER CONTACT: BERYLLIUM COPPER  
 JACK, OUTER CONTACT: BRASS  
 PLUG, CENTER CONTACT: BRASS  
 PLUG, OUTER CONTACT: BRASS
4. GOLD PLATING PER MIL-G-45204, 0.76μm [.000030] MIN THICKNESS
5. NICKEL PLATING PER QQ-N-290, 2.54μm [.000100] MIN THICKNESS
6. SILVER PLATING PER QQ-S-365, 5.08μm [.000200] MIN THICKNESS
7. SEE SEPARATE RESTRICTED CUSTOMER DRAWING WITH THIS PN
8. SAME AS 221543-2 EXCEPT PACKAGED 5 PER BOX



	4	5	PART NUMBER
8 OBSOLETE	4	5	221543-9
7	-	-	221543-8
7	-	-	221543-7
SUPERSEDED BY 221543-2	4	6	221543-3
	4	5	221543-2
SUPERSEDED BY 413592-4	6	5	221543-1
	CONTACT	SHELL	
	FINISH		

THIS DRAWING IS A CONTROLLED DOCUMENT.		DWN M.E. COWHER 5-10-91	Tyco Electronics Corporation Harrisburg, Pa 17105-3608	
DIMENSIONS: mm [INCHES]		CHK J. LIPPERT 5-24-91	NAME T-ADAPTER, SERIES BNC	
TOLERANCES UNLESS OTHERWISE SPECIFIED:		APVD -	PRODUCT SPEC -	
0 PLC ± -		APPLICATION SPEC -		
1 PLC ± -		SIZE A2		
2 PLC ± -		CAGE CODE 00779		
3 PLC ± -		DRAWING NO G-221543		
4 PLC ± -		RESTRICTED TO -		
ANGLES ± ± -		WEIGHT -		
FINISH		CUSTOMER DRAWING		
3		SCALE 4:1 SHEET 1 OF 1 REV F		
4 5 6				

单击下面可查看定价，库存，交付和生命周期等信息

[>>TE Connectivity\(泰科\)](#)