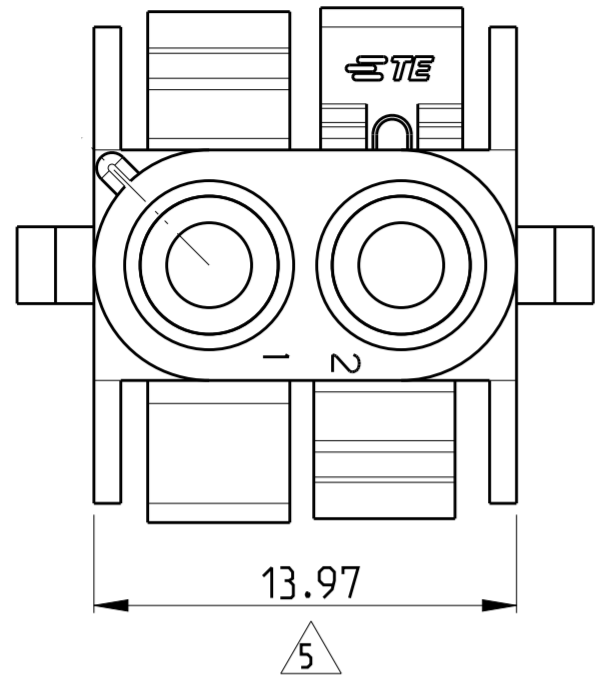
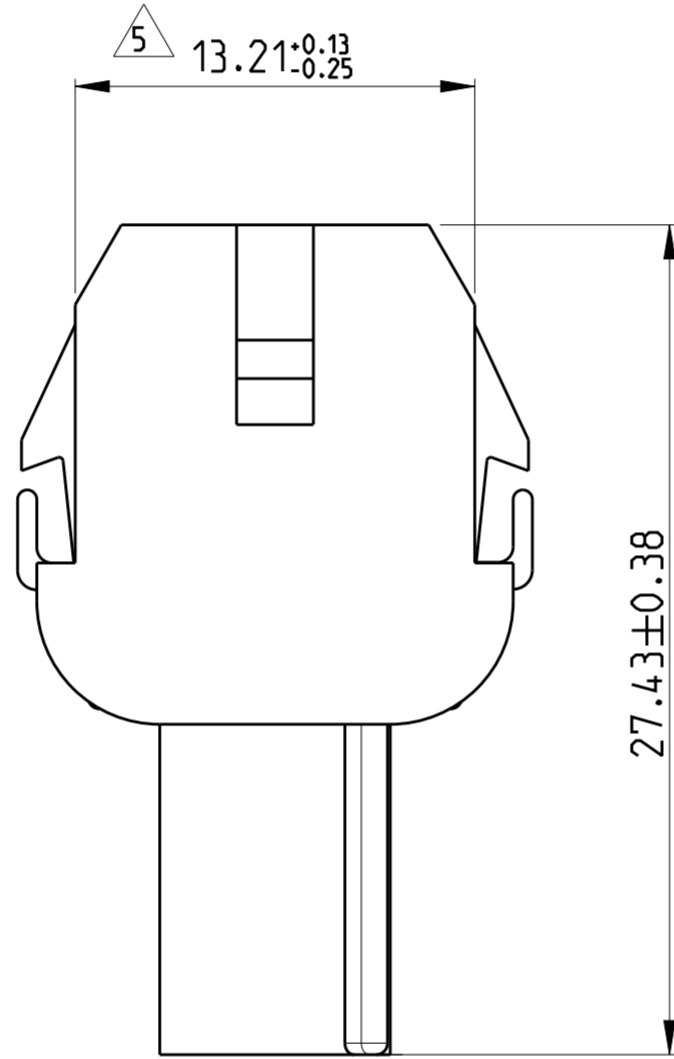
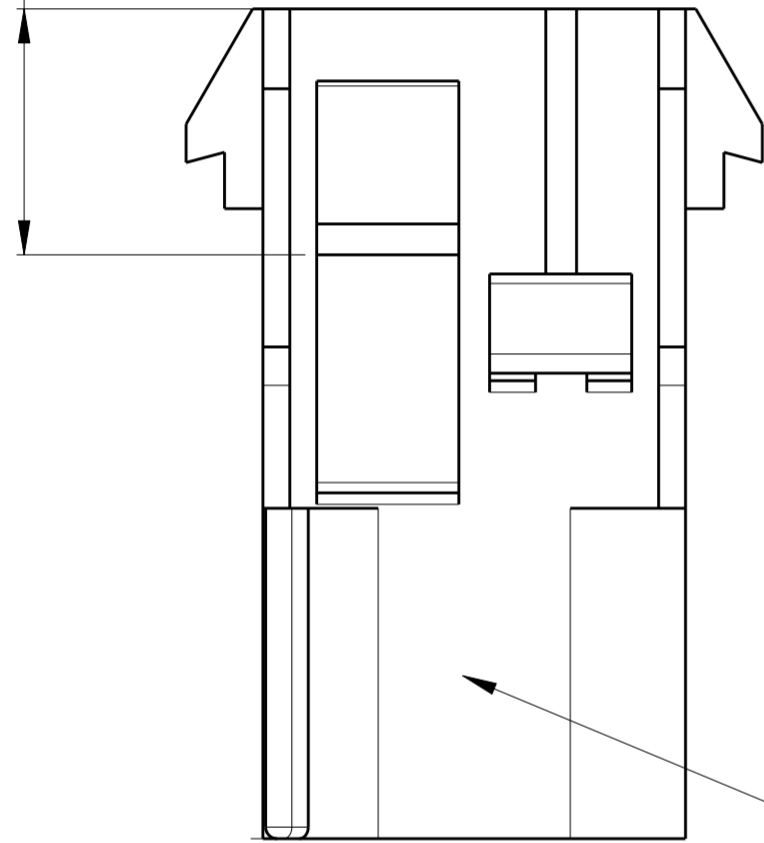


THIS DRAWING IS UNPUBLISHED. RELEASED FOR PUBLICATION 2003
 © COPYRIGHT 2003 BY - ALL RIGHTS RESERVED.

LOC	DIST	REVISIONS					
		P	LTR	DESCRIPTION	DATE	DWN	APVD
A1	2		B6	REVISED PER ECR-19-008967	30SEP2019	BDA	SF

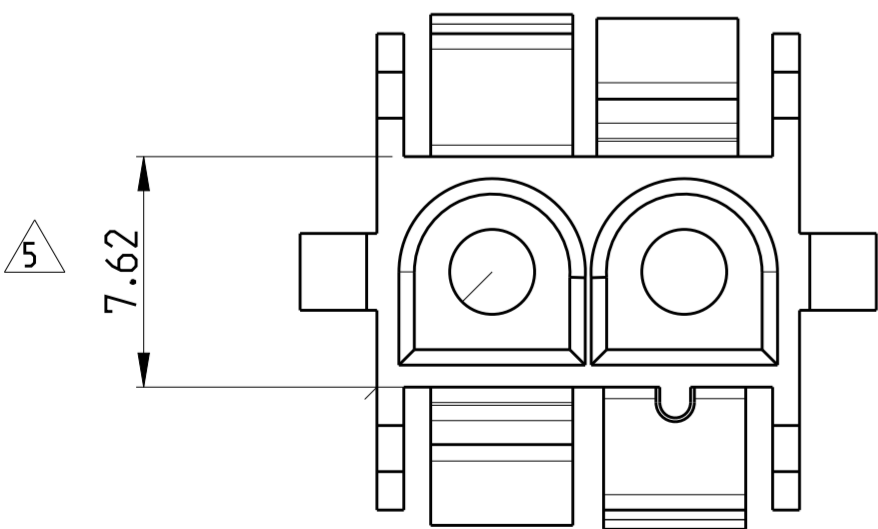
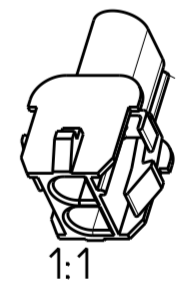
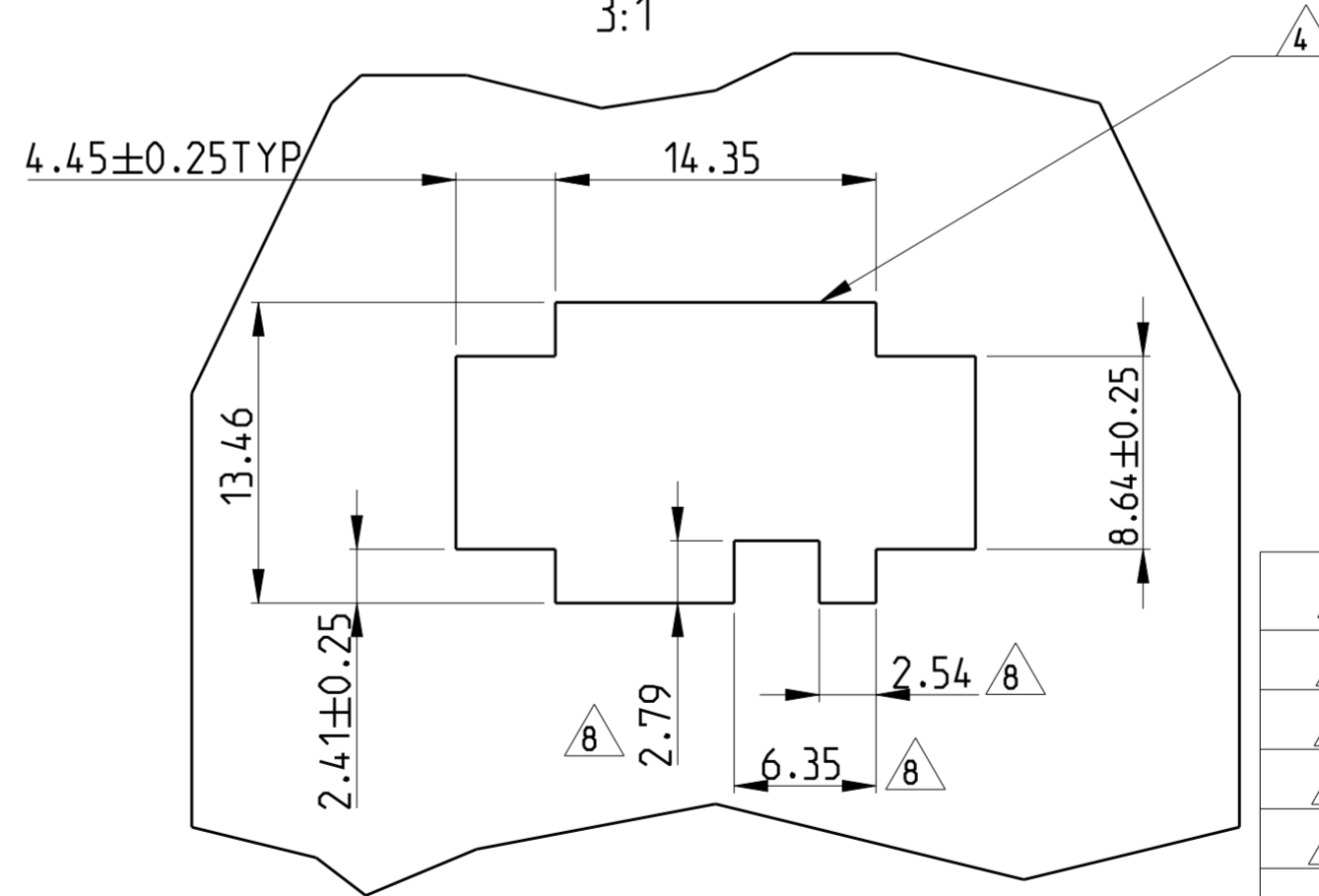


8.13±0.25



- 1 MATES WITH APPROPRIATE UNIVERSAL MATE-N-LOK PLUG
- 2 RECOMMENDED PANEL THICKNESS 0.76 - 2.29 mm
- 3 PANEL MUST BE PUNCHED SO THAT THE HOUSING ENTERS THE PANEL IN THE SAME DIRECTION AS THE PUNCH
- △4 CIRCUIT NUMBER 1 LOCATION
- △5 DIMENSION INDICATED AS MOLDED. ADDITIONAL GROWTH DUE TO SUBSEQUENT MOISTURE ABSORPTION MAY OCCUR
- △6 UNDERWRITERS RECOGNIZED COMPONENT LOGO AND CSA CERTIFICATION LOGO TO BE LOCATED ONCE EACH ON SIDE OF HOUSING
- △7 MATERIAL CORRESPONDING TO THE REQUIREMENTS OF IEC 60335 (INCL. GLOW WIRE TEST 750°C, WITHOUT FLAME)
- △8 OPTIONAL FOR KEYING HOUSING IN PANEL
- △9 PRELIMINARY PART NOT RELEASED FOR PRODUCTION

RECOMMENDED PANEL CUT OUT
3:1



REMARK	PN	REV	MATERIAL	COLOUR
△7	1-1703062-2	A	PA66 UL94 V0 (GWT 750 °C)	NATURAL
△9	1-1703062-1	1	PA6 UL94 V0	NATURAL
△7	1703062-4	A	PA6 UL94 V2 GWT 750 °C	BLACK
△7	1703062-3	A	PA6 UL94 V2 GWT 750 °C	RED
△7	1703062-2	A	PA6 UL94 V2 GWT 750 °C	BLUE
△7	1703062-1	A	PA6 UL94 V2 GWT 750 °C	NATURAL

THIS DRAWING IS A CONTROLLED DOCUMENT.

DWN MAHNKE, B. 16APR2004	 TE Connectivity
CHK ZITZ, A. 26APR2004	
APVD BLEICHER, M. 27APR2004	
PRODUCT SPEC	
MATERIAL PA 6	NAME CAP 2 CIRCUIT UNIVERSAL MATE-N-LOK
TOLERANCES UNLESS OTHERWISE SPECIFIED:	SIZE CAGE CODE DRAWING NO RESTRICTED TO
0 PLC ±	A2 00779 C-1703062
1 PLC ±	WEIGHT 2.55 g
2 PLC ±0.13	CUSTOMER DRAWING
3 PLC ±	SCALE 4:1 SHEET 1 OF 1 REV B6
4 PLC ±	
ANGLES ±°	
FINISH	

单击下面可查看定价，库存，交付和生命周期等信息

[>>TE Connectivity\(泰科\)](#)