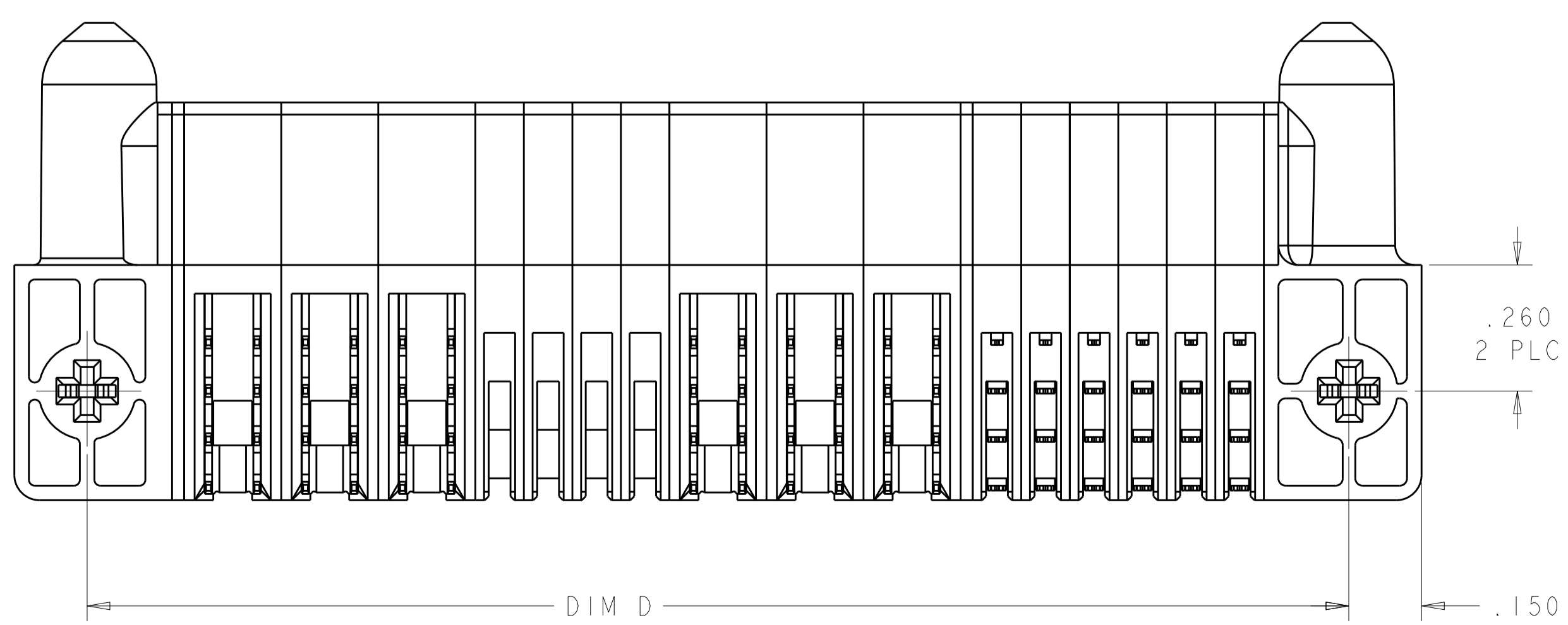
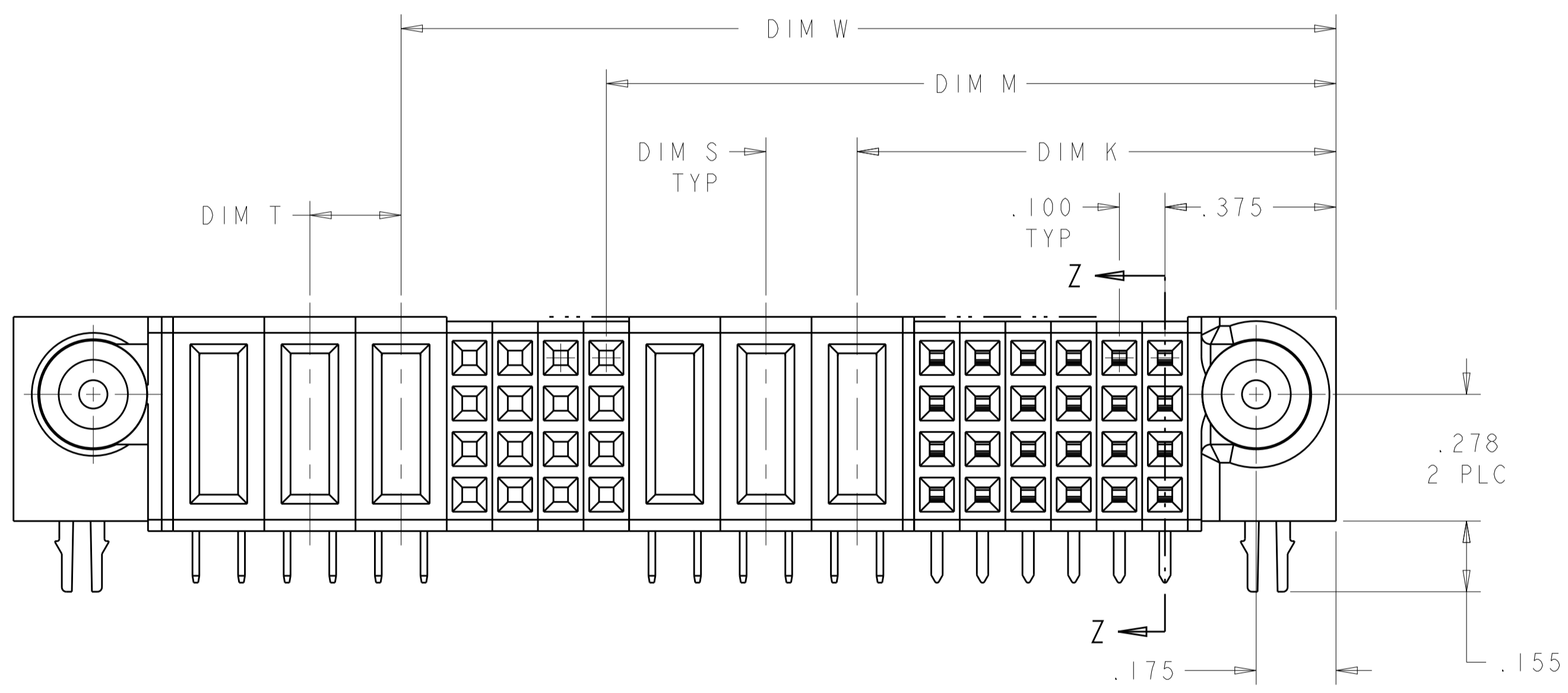
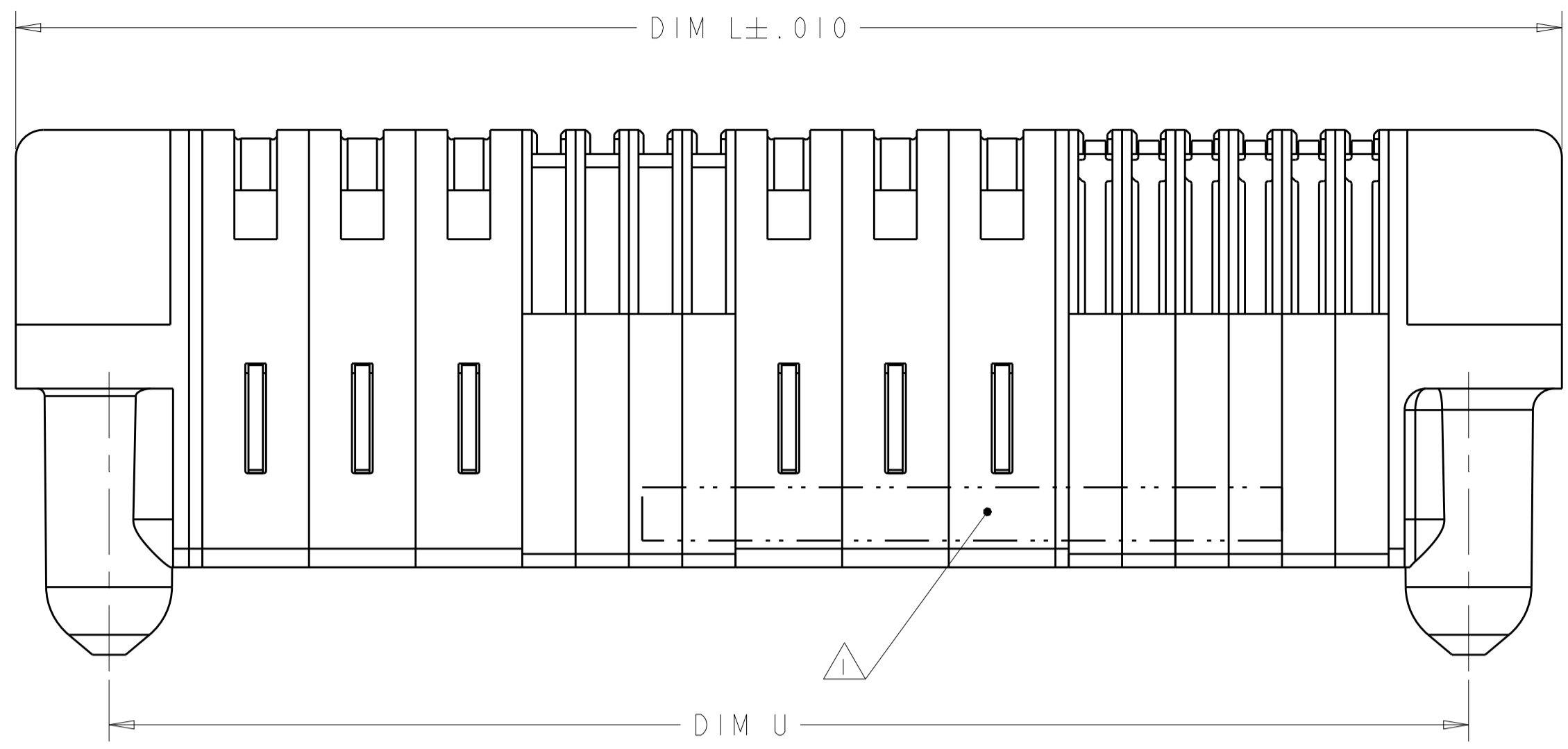
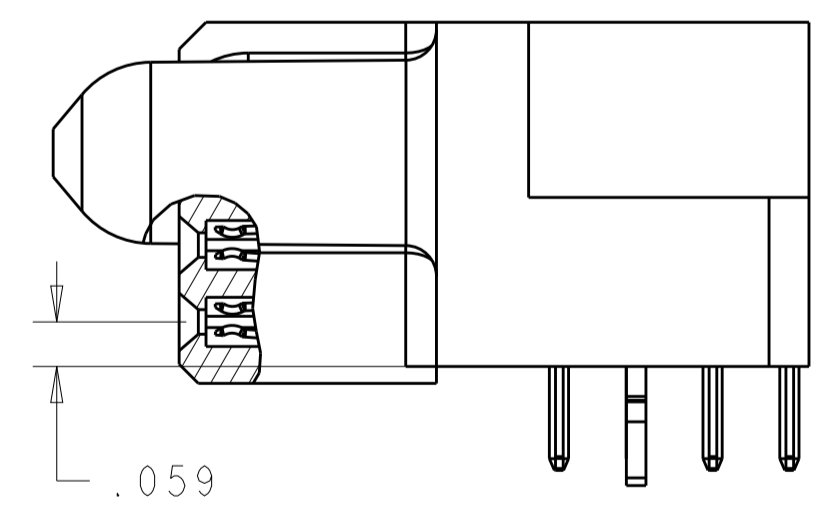
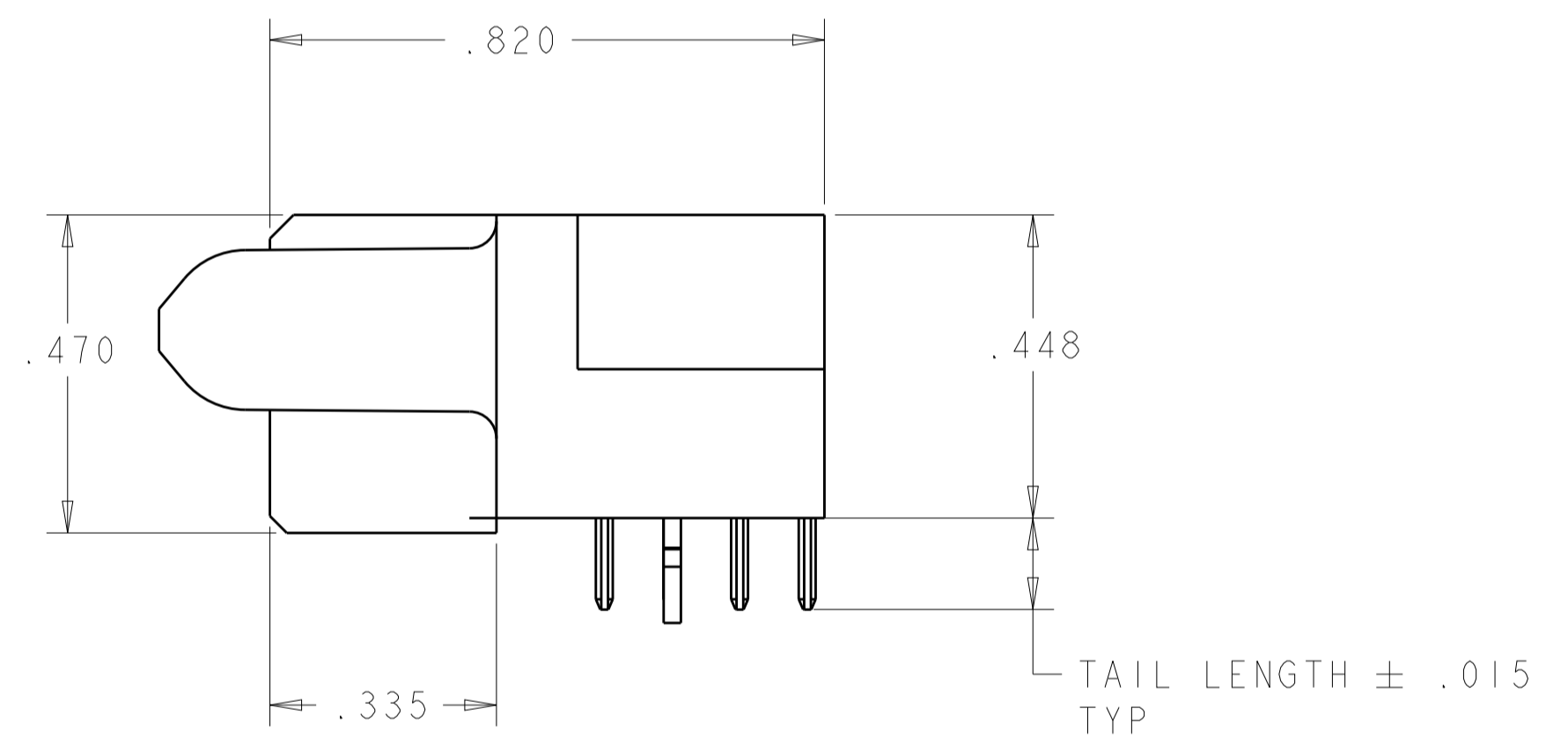


| LOC | DIST | REVISIONS | | | | | |
|-----|------|-----------|-----|-----------------------|-----------|-----|------|
| | | P | LTN | DESCRIPTION | DATE | DWN | APVD |
| ES | 00 | A | | REV PER ECR-06-016596 | 12JUL2006 | DZ | SY |
| | | B | | REV PER ECR-08-025991 | 15OCT2008 | TY | SY |



- 1 "AMP", PART NUMBER, AND DATE CODE TO BE MARKED IN AREA SHOWN.
- 2 MATERIAL: HOUSING - GLASS FILLED HIGH TEMP THERMO PLASTIC, UL94 V-0
 SIGNAL CONTACT - HIGH CONDUCTIVITY COPPER ALLOY
 POWER CONTACT - HIGH CONDUCTIVITY COPPER ALLOY
- 3 CONTACT PLATING: NOBLE METAL PLATING ON CONTACT FUNCTIONAL AREA OF POWER AND SIGNAL CONTACTS
- 4 MECHANICAL CONNECTOR KEEP OUT ZONE.
- 5 DATUM AND BASIC DIMENSIONS ESTABLISHED BY CUSTOMER.
- 6 PCB - ALL HOLE DIAMETERS ARE FINISHED HOLE SIZES.
- 7 PCB - .0453 +/- .0010 DRILLED HOLES PLATES WITH .0003 MIN Sn OVER .001 TO .003 PLATING TO ACHIEVE A .040 DIA. HOLE.



SECTION Z-Z

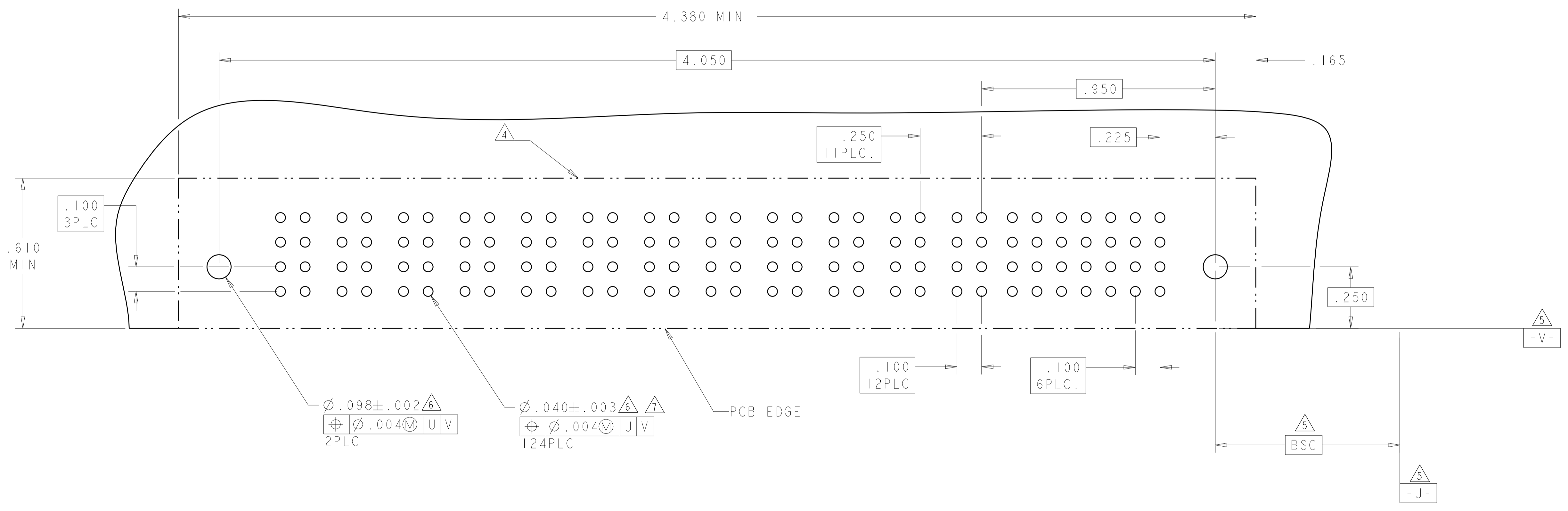
| | | | | | | | | | |
|-------|------|-------|------|-------|-------|-------|-------|---------------------|-------------|
| 1.600 | .200 | 2.550 | .200 | 2.050 | 2.600 | 1.050 | 2.900 | 24S + 3P + 16S + 3P | 6450171-6 |
| - | - | 3.325 | .200 | - | 3.375 | 1.050 | 3.675 | 24S + 12HDP | 6450171-5 |
| - | - | 4.000 | .250 | - | 4.050 | 1.150 | 4.350 | 28S + 12P | 6450171-1 |
| M | T | U | S | W | D | K | L | DESCRIPTION | PART NUMBER |

| | | | | | | | |
|---------------------------|--|---|--|--|--|--|--|
| DIMENSIONS: INCHES | | TOLERANCES UNLESS OTHERWISE SPECIFIED: 0 PLC $\pm .01$ 1 PLC $\pm .01$ 2 PLC $\pm .01$ 3 PLC $\pm .005$ 4 PLC $\pm .002$ ANGLES $\pm .07^\circ$ | | DWN: CECILY ZHOU 24APR2006 CHK: SUNY ZHAO 24APR2006 APVD: STEVEN YAO NAME: RIGHT ANGLE RECEPTACLE ASSEMBLY, MULTI-BEAM XL SIZE: A CAGE CODE: 108-1973 DRAWING NO: 114-13038 DRAWING NO: 6450171 | | Tyco Electronics Tyco Electronics incorporated Shanghai, P.R.China. 200233 | |
| MATERIAL: | | FINISH: | | WEIGHT: - CUSTOMER DRAWING | | SCALE: 4:1 SHEET: 1 OF 4 REV: B1 | |

| LOC | DIST | REV | DATE | BY | APPV |
|-----|------|-----|------|----|------|
| ES | 00 | | | | |

| REVISIONS | | | | | |
|-----------|------|-------------|----|------|------|
| REV | DATE | DESCRIPTION | BY | APPV | DATE |
| - | - | SEE SHEET 1 | - | - | - |

| PART NUMBER | ROWS | POWER | | | | | | | | | | | | SIGNAL | | | | | | | | |
|-------------|------------------|-------|-----|-----|----|----|----|----|----|----|----|----|----|--------|---|---|---|---|---|---|--|--|
| | | P12 | P11 | P10 | P9 | P8 | P7 | P6 | P5 | P4 | P3 | P2 | P1 | 7 | 6 | 5 | 4 | 3 | 2 | 1 | | |
| 6450171-1 | D C B A | RM | RM | RM | RA | RA | RA | RA | RA | RA | RM | RM | RM | H | H | H | H | H | H | H | | |
| | | RM | RM | RM | RA | RA | RA | RA | RA | RA | RM | RM | RM | G | G | G | G | G | G | G | | |
| | | RM | RM | RM | RA | RA | RA | RA | RA | RA | RM | RM | RM | F | F | F | F | F | F | F | | |
| | | RM | RM | RM | RA | RA | RA | RA | RA | RA | RM | RM | RM | E | E | E | E | E | E | E | | |
| 28S + 12P | | | | | | | | | | | | | | | | | | | | | | |



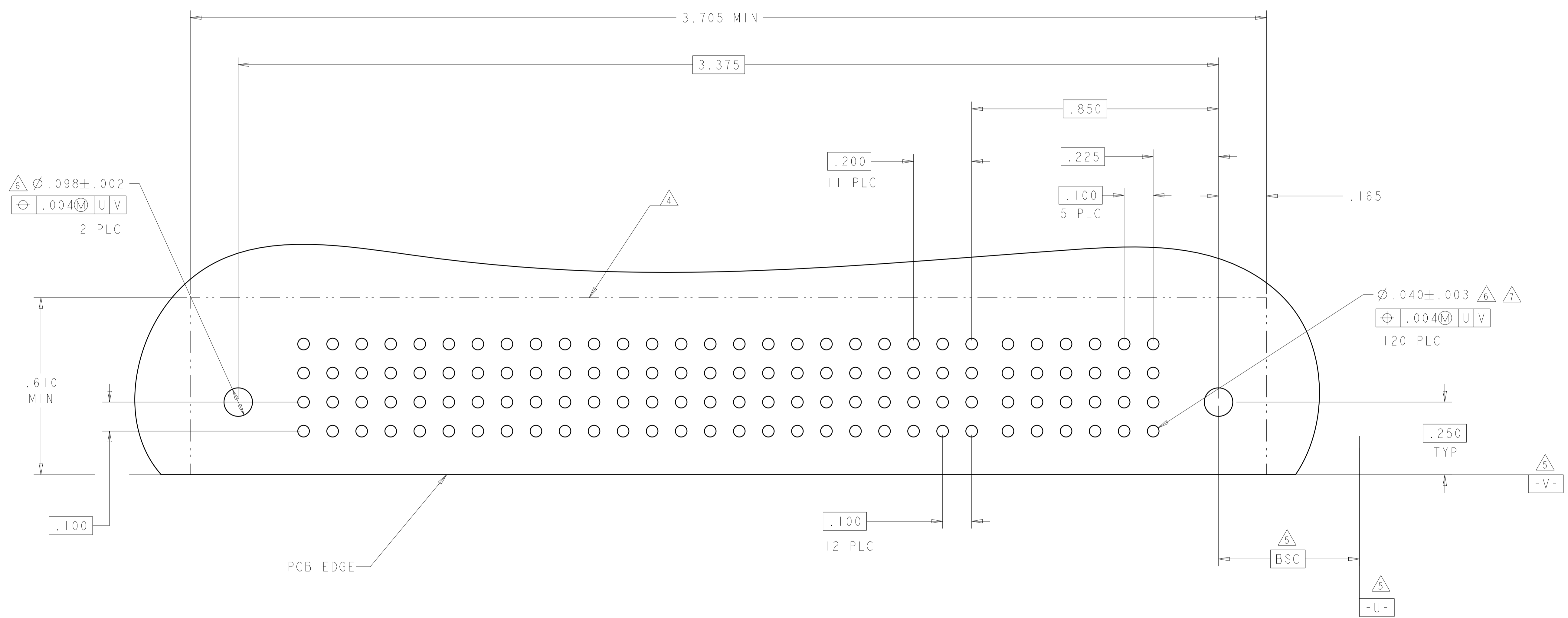
| | | |
|-------------------|----------------------------------|-----------|
| - | HOLD DOWN | HD |
| - | SIGNAL CONTACT, .135 TAIL LENGTH | H |
| - | SIGNAL CONTACT, .135 TAIL LENGTH | G |
| - | SIGNAL CONTACT, .135 TAIL LENGTH | F |
| - | SIGNAL CONTACT, .135 TAIL LENGTH | E |
| STD | PWR CONTACT, .135 TAIL LENGTH | RM |
| MFBL | PWR CONTACT, .135 TAIL LENGTH | RA |
| MATING SEQUENCING | DESCRIPTION | IDENTIFER |

| | | | | | | | |
|--------------------------|--|--|--|--|--|--|--|
| DIMENSIONS: INCHES | | TOLERANCES UNLESS OTHERWISE SPECIFIED: 0 PLC ±.01 1 PLC ±.01 2 PLC ±.01 3 PLC ±.01 4 PLC ±.01 ANGLES ±.020 FINISH | | DWN: CECILY.ZHOU 24APR2006 CHK: SUNY.ZHAO 24APR2006 APYB: STEVEN.YAO NAME: RIGHT ANGLE RECEPTACLE ASSEMBLY, MULTI-BEAM XL PRODUCT SPEC: 108-1973 APPLICATION SPEC: 114-13038 WEIGHT: - CUSTOMER DRAWING | | Tyco Electronics Tyco Electronics incorporated Shanghai, P.R.China. 200233 | |
| MATERIAL: - FINISH: - | | SCALE: 4:1 SHEET: 2 OF 4 REV: B1 | | SIZE: A1 CAGE CODE: 6450171 DRAWING NO: 100779 | | RESTRICTED TO: - | |

| LOC | DIST | REV | DATE | BY | APPV |
|-----|------|-----|------|----|------|
| ES | 00 | | | | |

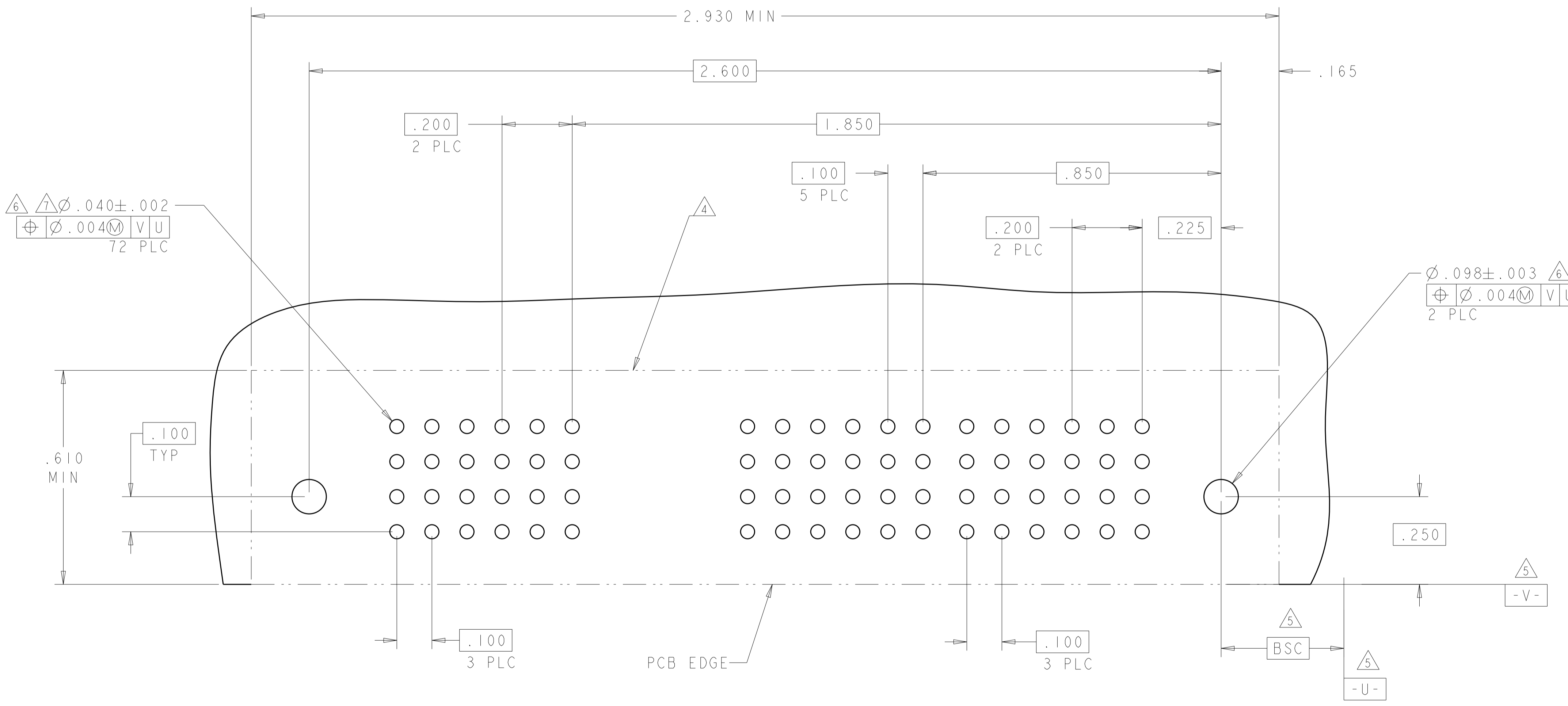
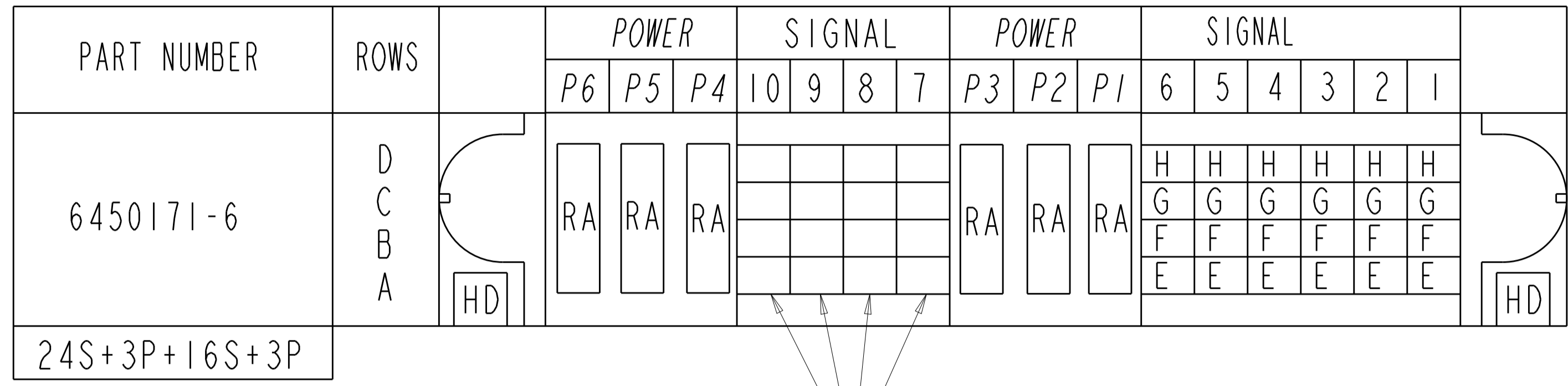
| REVISIONS | | | |
|-----------|-------------|------|----|
| NO. | DESCRIPTION | DATE | BY |
| - | SEE SHEET 1 | - | - |

| PART NUMBER | ROWS | POWER | | | | | | | | | | | | SIGNAL | | | | | |
|-------------|------------------|-------|-----|-----|----|----|----|----|----|----|----|----|----|--------|---|---|---|---|---|
| | | P12 | P11 | P10 | P9 | P8 | P7 | P6 | P5 | P4 | P3 | P2 | P1 | 6 | 5 | 4 | 3 | 2 | 1 |
| 6450171-5 | D C B A | RM | RM | RM | RM | RM | RM | RA | RA | RA | RA | RA | RA | H | H | H | H | H | H |
| | | RM | RM | RM | RM | RM | RA | RA | RA | RA | RA | RA | G | G | G | G | G | G | |
| | | RM | RM | RM | RM | RM | RA | RA | RA | RA | RA | RA | F | F | F | F | F | F | |
| | | RM | RM | RM | RM | RM | RA | RA | RA | RA | RA | RA | E | E | E | E | E | E | |
| 24S + 12HDP | | | | | | | | | | | | | | | | | | | |



| | | | |
|--|---|--|---|
| <small>THIS DRAWING IS UNPUBLISHED. RELEASED FOR PUBLICATION BY TYCO ELECTRONICS CORPORATION. ALL RIGHTS RESERVED.</small> | | DWN: CECILY_ZHOU 24APR2006 CHK: SUNY_ZHAO 24APR2006 | Tyco Electronics incorporated Shanghai, P.R.China. 200233 |
| DIMENSIONS: INCHES | TOLERANCES UNLESS OTHERWISE SPECIFIED: 0 PLC ±.01 1 PLC ±.01 2 PLC ±.01 3 PLC ±.005 4 PLC ±.002 ANGLES ±.7° FINISH | NAME: STEVEN YAO PRODUCT SPEC: 108-1973 APPLICATION SPEC: 114-13038 WEIGHT: - | NAME: RIGHT ANGLE RECEPTACLE ASSEMBLY, MULTI-BEAM XL SIZE: A CAGE CODE: 100779 DRAWING NO: C=6450171 RESTRICTED TO: - |
| MATERIAL: - FINISH: - | | CUSTOMER DRAWING | SCALE: 4:1 SHEET: 3 OF 4 REV: B |

| LOC | DIST | REVISONS | | | | | |
|-----|------|----------|-----|-------------|------|-----|------|
| | | P | LTN | DESCRIPTION | DATE | DWN | APVD |
| ES | 00 | - | - | SEE SHEET 1 | - | - | - |
| | | | | | | | |
| | | | | | | | |



| | | | | | |
|-----------------------|--|--|--------------|--|--|
| DIMENSIONS: INCHES | | TOLERANCES UNLESS OTHERWISE SPECIFIED: 0 PLC $\pm .01$ 1 PLC $\pm .01$ 2 PLC $\pm .01$ 3 PLC $\pm .005$ 4 PLC $\pm .0020$ ANGLES $\pm 2^\circ$ | FINISH | DWN: CECILY_ZHOU 24APR2006 CHK: SUNY_ZHAO 24APR2006 APVD: STEVEN_YAO | NAME: RIGHT ANGLE RECEPTACLE ASSEMBLY, MULTI-BEAM XL |
| MATERIAL | | FINISH | WEIGHT | SIZE: 114-13038 | RESTRICTED TO |
| CUSTOMER DRAWING | | SCALE: 4:1 | SHEET 4 OF 4 | REV B | |

单击下面可查看定价，库存，交付和生命周期等信息

[>>TE Connectivity\(泰科\)](#)