

# Molded Parts Specification Control Drawing

Part Number : 381A015  
Description : Transition, Y

## NOTES

- All dimensions are in  $\frac{\text{inches}}{\text{[millimeters]}}$
- Dimensions appearing in table are as follows:
  - a - As Supplied
  - b - After Unrestricted Recovery
- Coating is optional. As supplied dimensions appearing in table are for uncoated parts. When coating is added, entry diameters will be reduced by .06 max.
- Molding ports are optional. When -00 modification number is specified molding ports will be located as shown.

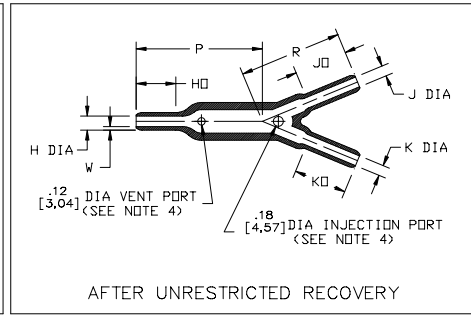
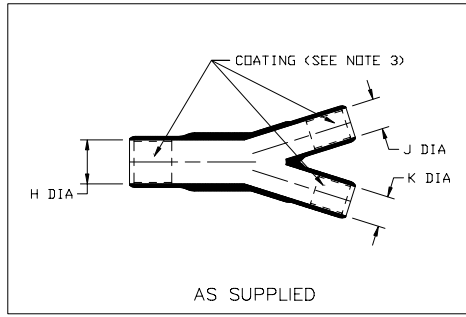


TABLE OF DIMENSIONS

| PART NUMBER | H             |              | J & K         |              | P              | R              | HO             | JO&KO          | W             | C     |
|-------------|---------------|--------------|---------------|--------------|----------------|----------------|----------------|----------------|---------------|-------|
|             | Min           | Max          | Min           | Max          |                |                |                |                |               |       |
|             | a             | b            | a             | b            |                |                |                |                |               |       |
| 381A015     | .68<br>[17,2] | .31<br>[7,8] | .44<br>[11,1] | .31<br>[7,8] | 3.25<br>[82,6] | 2.50<br>[63,5] | 1.00<br>[25,4] | 1.19<br>[30,2] | .085<br>[2,1] | 22.5* |

**If this document is printed it becomes uncontrolled.  
Check for the latest revision.**

**tyco**/Electronics  
TYCO ELECTRONICS  
307 CONSTITUTION DRIVE  
MENLO PARK, CALIFORNIA 94025

Revision : K  
Date : 6/17/02

Part Number : 381A015  
Description : Transition, Y

# Molded Parts Specification Control Drawing

Part Number : 381A015  
Description : Transition, Y

| COMPATABILITY CHART |                            |         |                   |               |                     |
|---------------------|----------------------------|---------|-------------------|---------------|---------------------|
| MATERIAL DASH NO.   | MATERIAL DESCRIPTION       | RT SPEC | COATING SLASH NO. | COATING S NO. | COATING DESCRIPTION |
| -3                  | Polyolefin, Semi-rigid     | RT-301  | /42,/86           | S-1017,S-1048 | Adhesive            |
| -4                  | Polyolefin, Flexible       | RT-1304 | /42,/86           | S-1017,S-1048 | Adhesive            |
| -5                  | Elastomer, Flexible        | RT-501  | N/A               |               |                     |
| -6                  | Silicone                   | RT-602  | N/A               |               |                     |
| -12                 | *VITON, Flexible           | RT-1312 | N/A               |               |                     |
| -25                 | Elastomer, Fluid Resistant | RT-1325 | N/A               |               |                     |

\*VITON is a Registered<sub>TM</sub> Trademark of Dupont

| ORDERING INFORMATION   |         |     |          |
|--|---------|-----|----------|
| Base part number   | 381A015 | -XX | -XX /XXX |
| Material dash number<br>(See Compatability Chart)                                  |         |     |          |
| Modification number<br>(If necessary, see front of scd binder for a complete list) |         |     |          |
| Adhesive slash number<br>(If necessary, see Compatability Chart)                   |         |     |          |

THIS DRAWING IS SUBJECT TO CHANGE WITHOUT NOTICE; CONSULT YOUR  
NEAREST FIELD REPRESENTATIVE FOR CURRENT REVISION

**tyco**/Electronics  
TYCO ELECTRONICS  
307 CONSTITUTION DRIVE  
MENLO PARK, CALIFORNIA 94025

Revision : K  
Date : 6/17/02

Part Number : 381A015  
Description : Transition, Y

单击下面可查看定价，库存，交付和生命周期等信息

[>>TE Connectivity\(泰科\)](#)