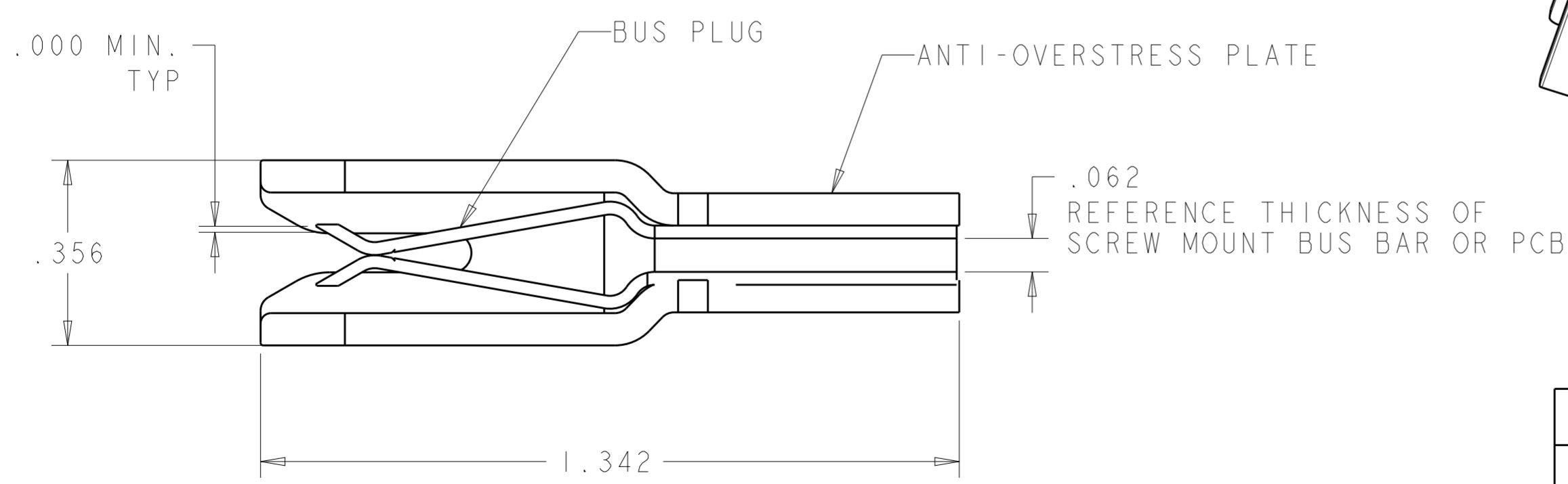
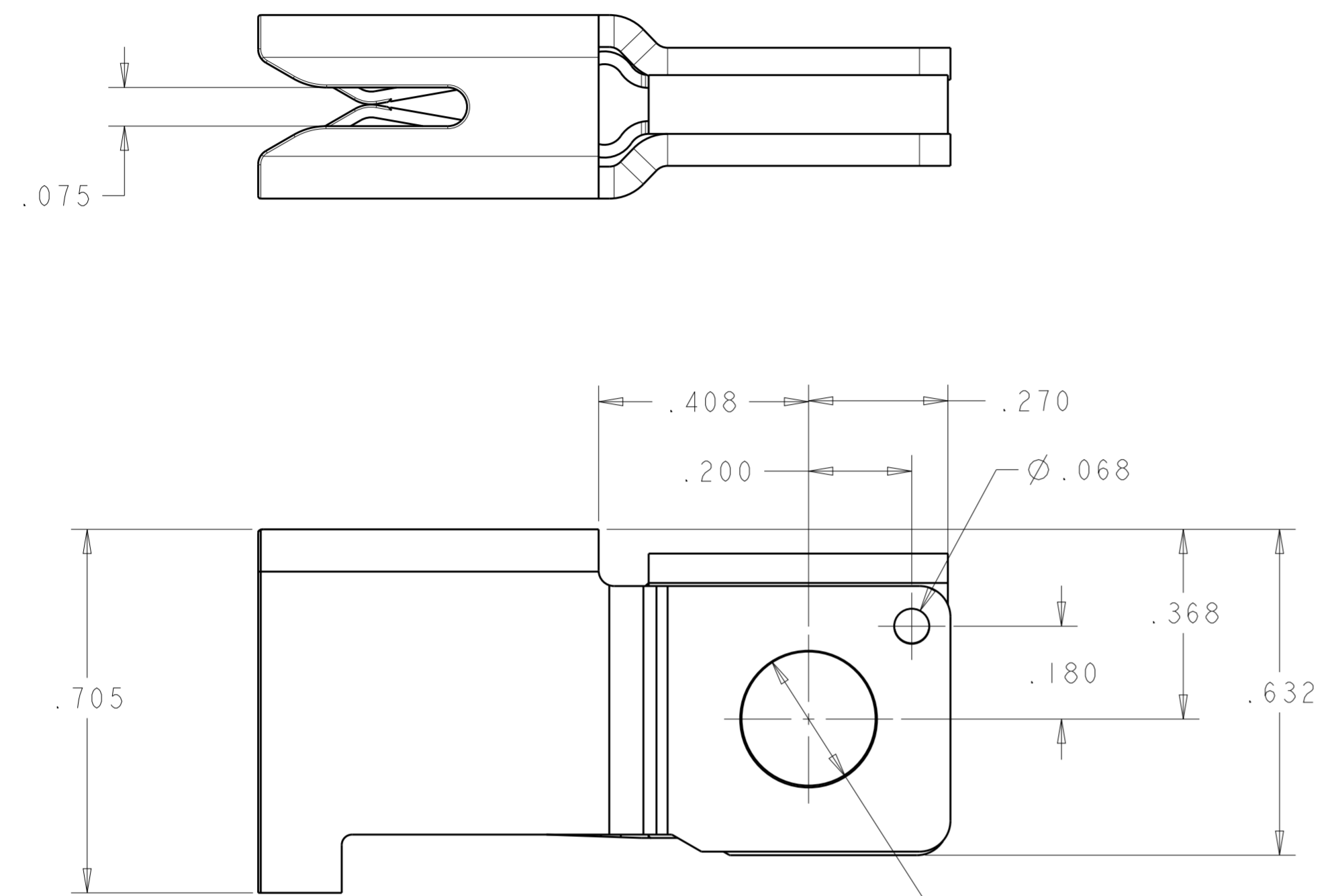


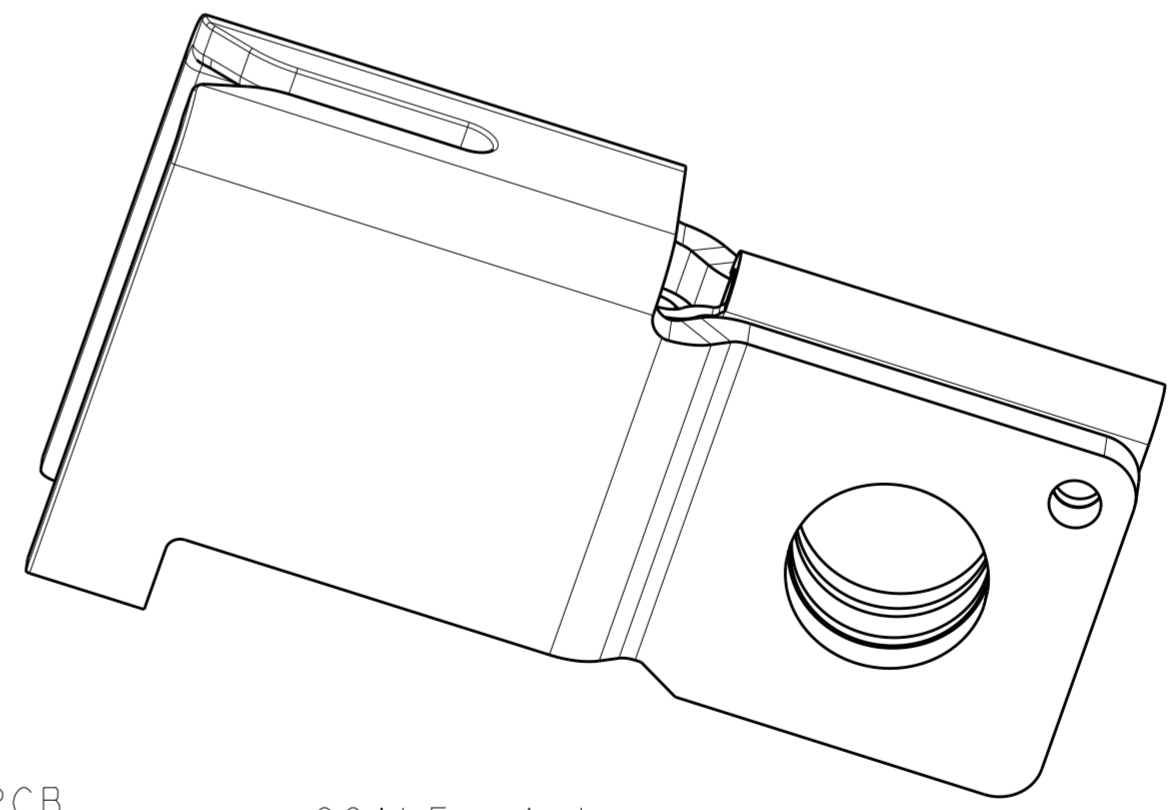
THIS DRAWING IS UNPUBLISHED. RELEASED FOR PUBLICATION 20
 © COPYRIGHT 20 ALL RIGHTS RESERVED.

LOC	DIST	REVISIONS					
GP	00	P	LTR	DESCRIPTION	DATE	DWN	APVD
			J1	REV PER ECO-15-004265	12JUL2016	ML	SZ



- COMPONENTS UNASSEMBLED IN A SEALED POLY BAG.
- MATERIAL:
ANTI-OVERSTRESS PLATE - STAINLESS STEEL/IRON.
BUS PLUG - HIGH CONNECTIVITY COPPER ALLOY
- FINISH:
SILVER PLATING OVER NICKEL PLATING ON CONTACT.
- MATERIAL:
ANTI-OVERSTRESS PLATE - THERMOPLASTIC, BLACK, UL94V-0
BUS PLUG - HIGH CONNECTIVITY COPPER ALLOY
- ITEMS PROVIDED TO THIS SPECIFICATION TO BE PERMANENTLY IDENTIFIED ON THE CONTAINER PER THE FOLLOWING IDENTIFIER LABEL:

TE CONNECTIVITY P/N: XXXXXXXX-X
 DATE CODE (e.g. 0106): YEAR 1 WEEK 1
 XXXX



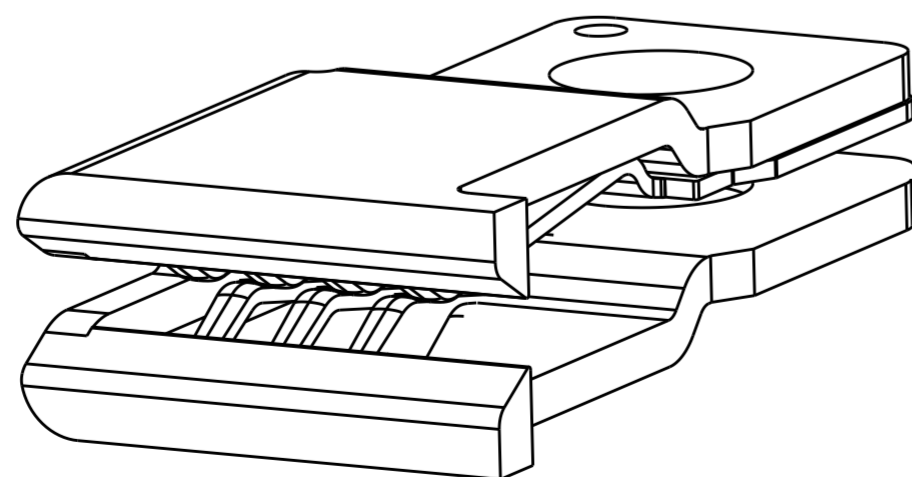
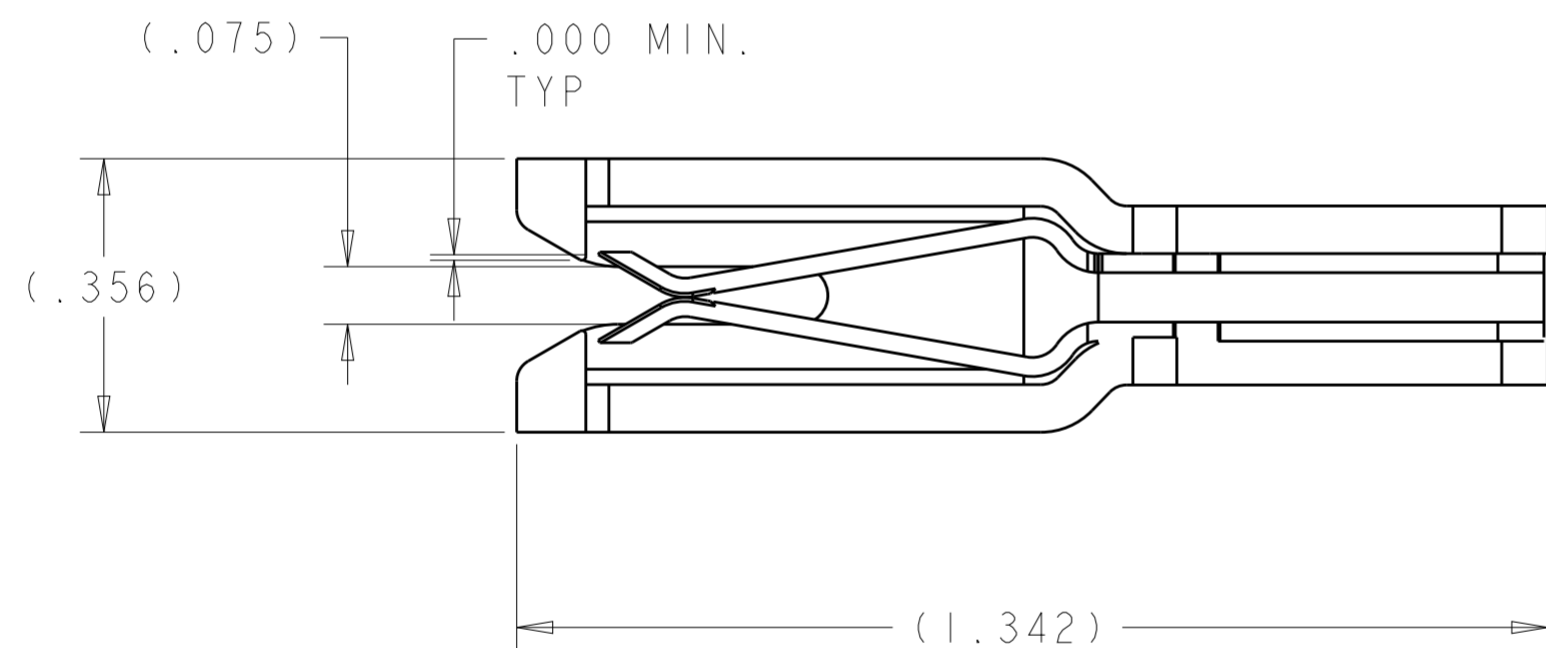
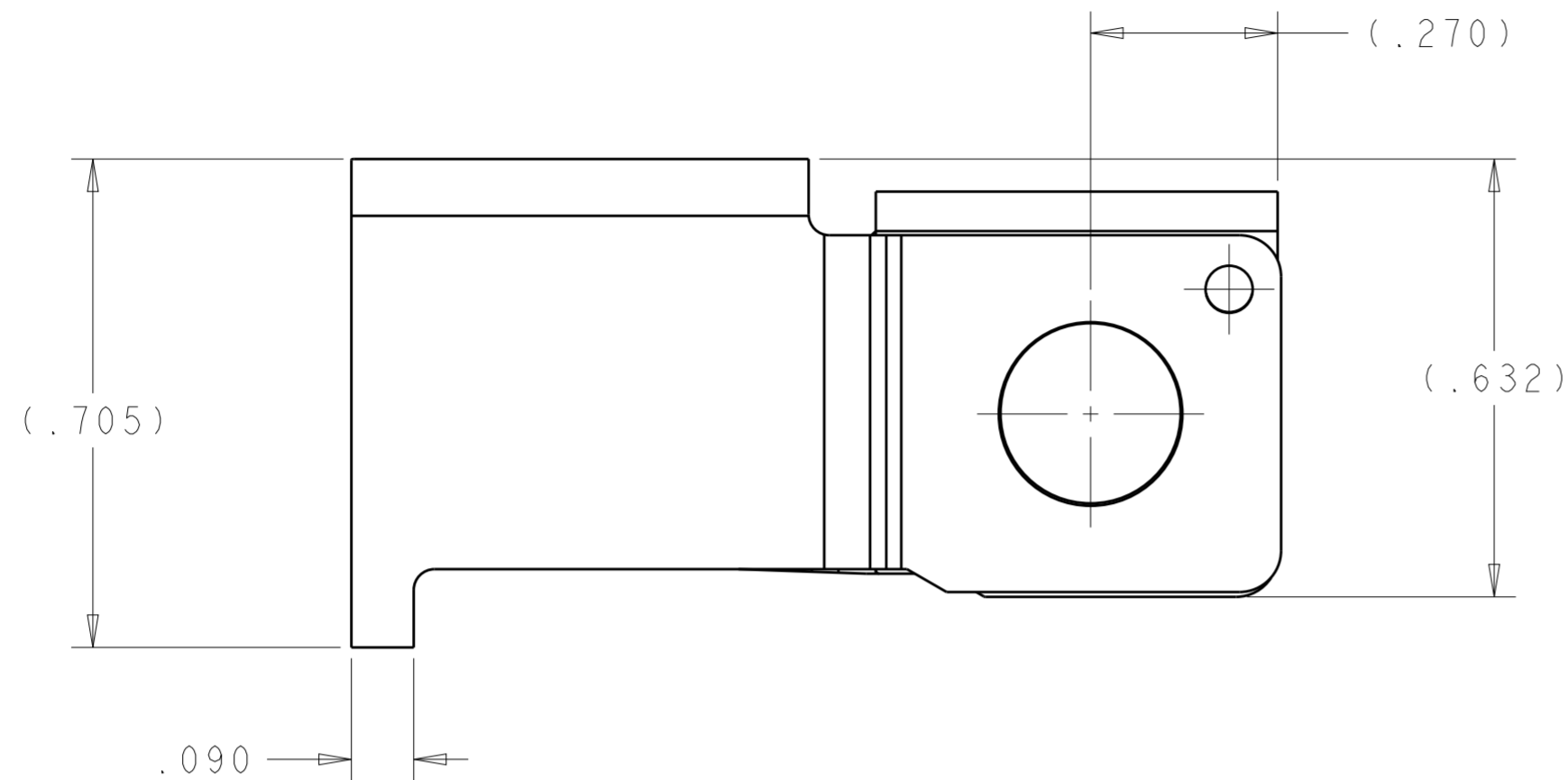
SCALE 4:1

2	3	104742-1
DESCRIPTION		PART NUMBER

THIS DRAWING IS A CONTROLLED DOCUMENT.		DWN: R. GRZYBOWSKI 08FEB2008	104742-1	
DIMENSIONS: INCHES		CHK: A. FRANTUM 08FEB2008	DESCRIPTION: AMP PDS .062F2 PLUGGABLE BUS BAR SERIES W/ GUIDE	
TOLERANCES UNLESS OTHERWISE SPECIFIED:		APVD: S. FLICKINGER 08FEB2008	PART NUMBER: 104742-1	
0 PLC ±		PRODUCT SPEC	SIZE: A2	
1 PLC ±		APPLICATION SPEC	CAGE CODE: 00779	
2 PLC ±		WEIGHT	DRAWING NO: C-104742	
3 PLC ±.015		CUSTOMER DRAWING	RESTRICTED TO: -	
4 PLC ±		SCALE: 4:1	SHEET 1 OF 2	
ANGLES ±		REV: J1		
FINISH				

THIS DRAWING IS UNPUBLISHED. RELEASED FOR PUBLICATION 20
 © COPYRIGHT 20 ALL RIGHTS RESERVED.

LOC	DIST	REVISIONS					
GP	00	P	LTR	DESCRIPTION	DATE	DWN	APVD
		-		SEE SHEET 1	-	-	-



THIS DRAWING IS A CONTROLLED DOCUMENT.		DWN R. GRZYBOWSKI 08FEB2008	3 4		104742-2
DIMENSIONS: INCHES		CHK A. FRANTUM 08FEB2008	DESCRIPTION		PART NUMBER
TOLERANCES UNLESS OTHERWISE SPECIFIED:		APVD S. FLICKINGER 08FEB2008	TE Connectivity		
0 PLC ±	1 PLC ±	PRODUCT SPEC	AMP PDS .062F2		
2 PLC ±	3 PLC ±.015	APPLICATION SPEC	SERIES		
4 PLC ±	ANGLES ±	WEIGHT	W/ GUIDE		
MATERIAL	FINISH	CUSTOMER DRAWING	SIZE A200779	CAGE CODE C-104742	RESTRICTED TO
			SCALE 4:1	SHEET 2 OF 2	REV J1

单击下面可查看定价，库存，交付和生命周期等信息

[>>TE Connectivity\(泰科\)](#)