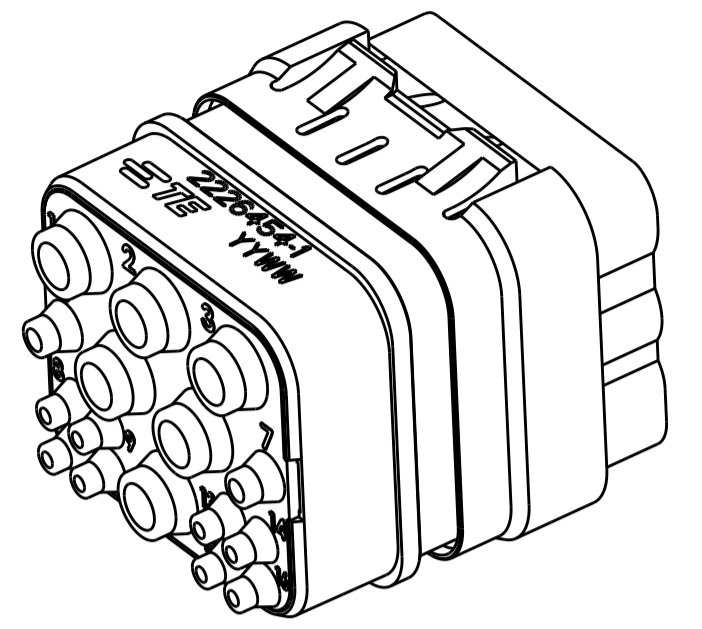
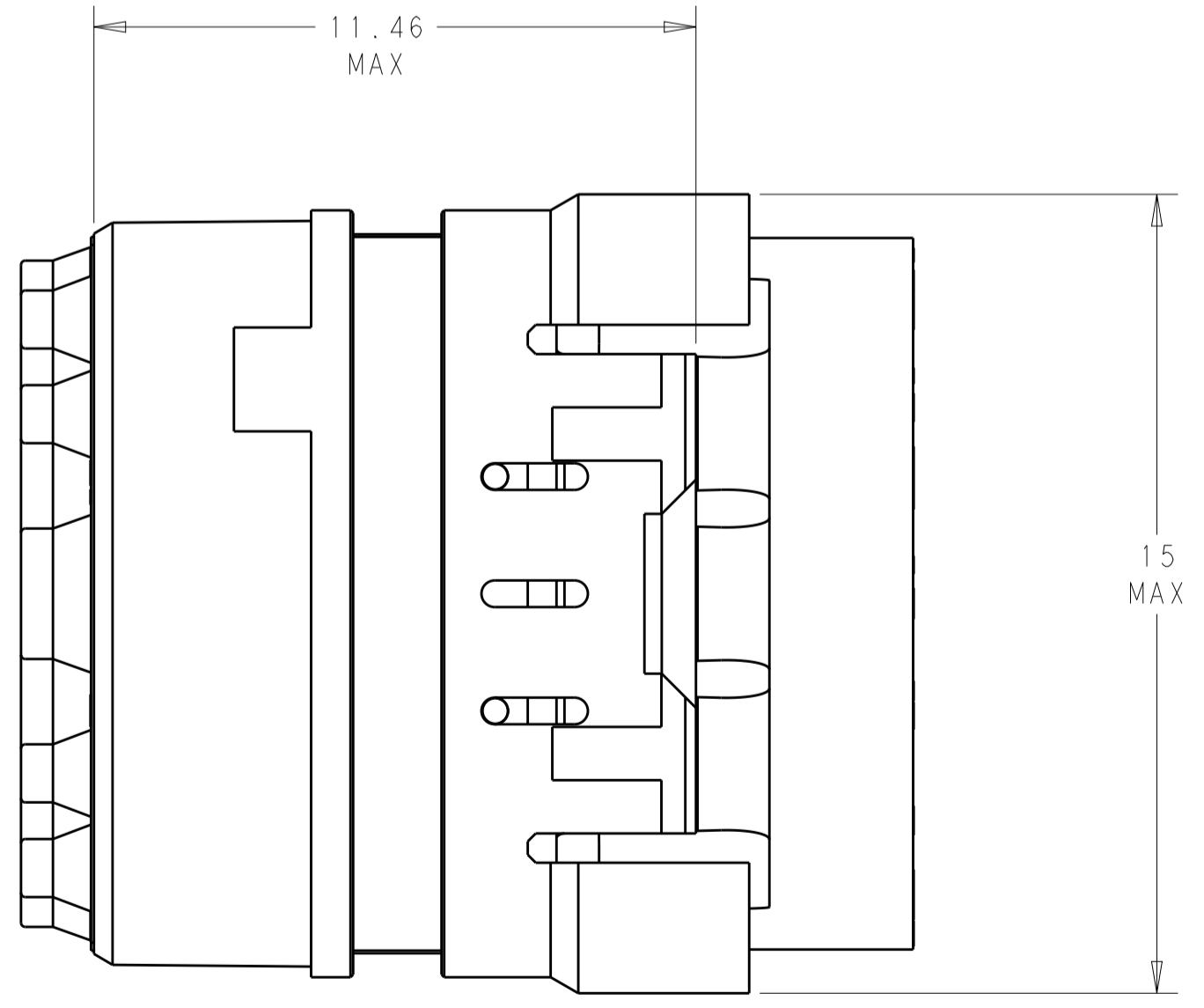
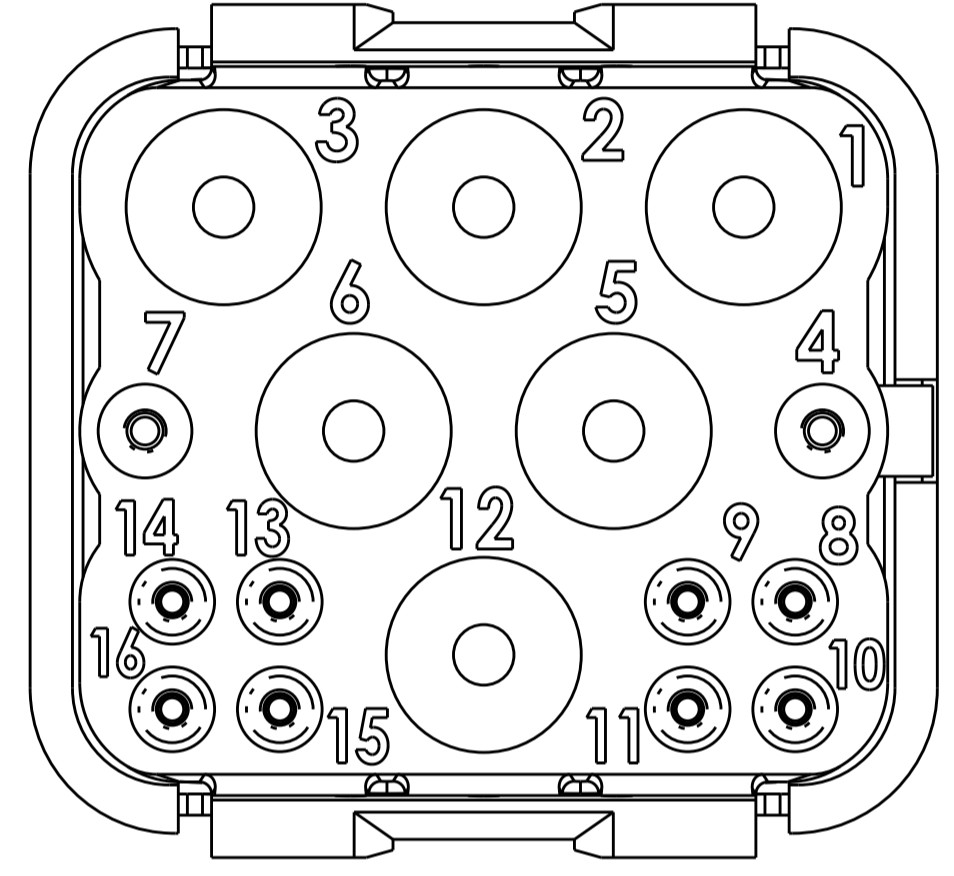
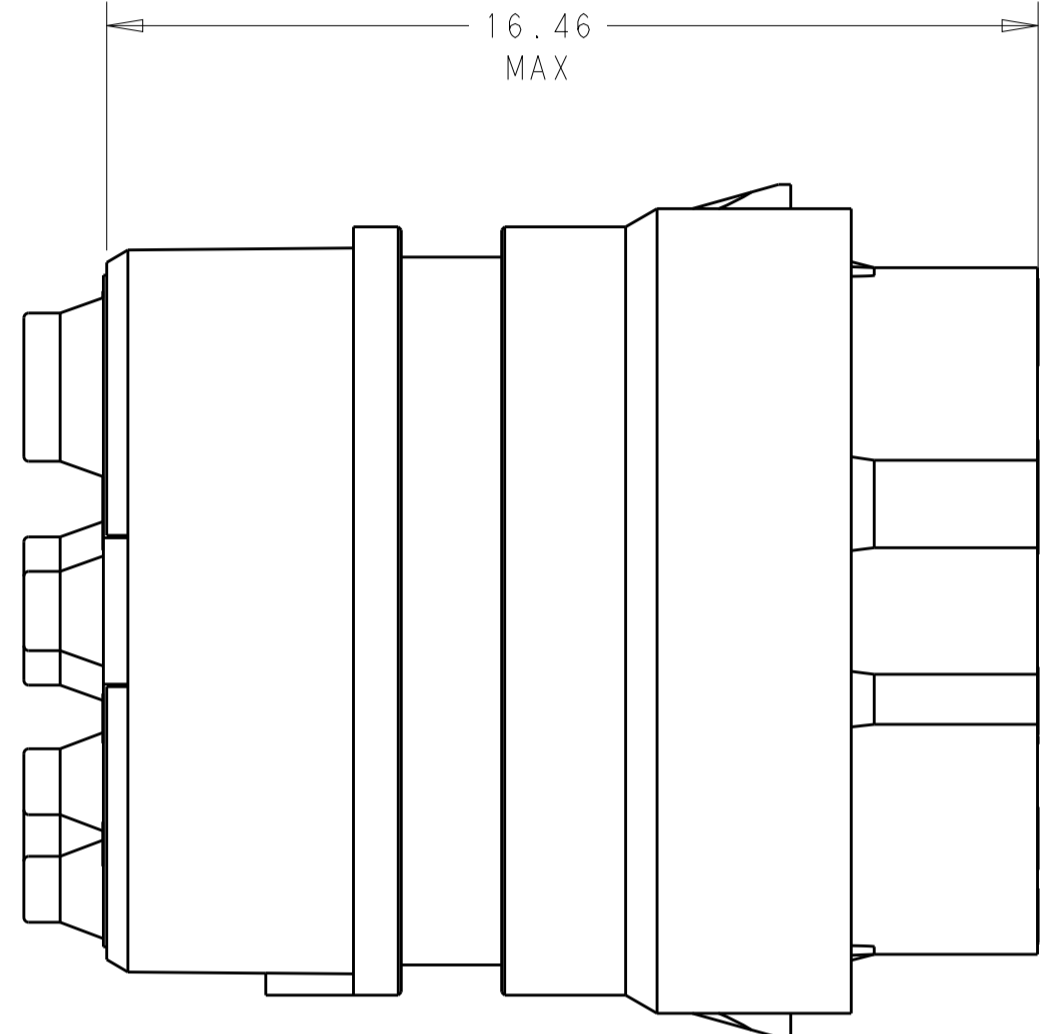
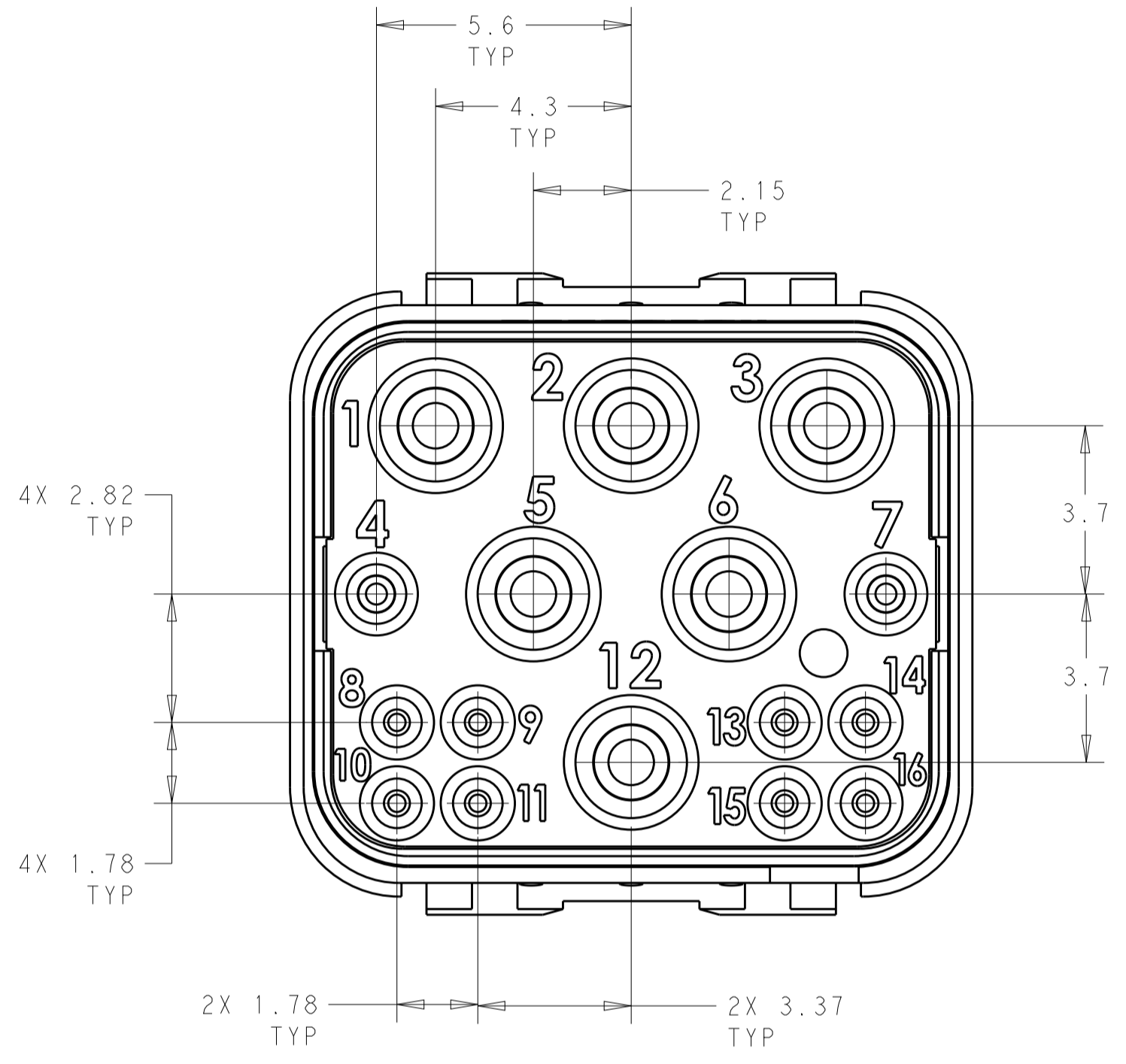


1. TEMPERATURE RANGE: -55°C TO +175°C
2. MATERIAL: THERMOPLASTIC, FLUOROSILICONE
3. CHARACTERISTICS:
  - DELIVERED WITHOUT CONTACTS, MUST BE ORDERED SEPARATELY
  - PIN #16 CONTACTS (QTY=6) PER MIL-C 39029/58-364 (DEUTSCH P/N 38941-16L)
  - PIN #22 CONTACTS (QTY=2) PER MIL-C 39029/58-360 (DEUTSCH P/N 38941-22L)
  - PIN GbE CONTACTS (QTY=8) (DEUTSCH P/N 605705-31 OR 724-0001-24 OR TE P/N 2226891-1)
4. HAND CRIMP TOOL FOR GbE CONTACTS:
  - DMC M22520/2-01, SETTING NUMBER 3
  - POSITIONER: K1587
5. COMPATIBLE WITH ARINC 809 PLUG SHELLS (DEUTSCH P/N DMC-MD20 SERIES)
6. COMPATIBLE WITH ARINC 809 RECEPTACLE SHELLS (DEUTSCH P/N DMC-MD24 AND DMC-MD26 SERIES)

REVISIONS				
P	LTM	DESCRIPTION	DATE	APVD
H		REV PER ECO 19-016450	11-22-19	CT RL



SCALE 4:1



2226454-1  
ASSEMBLY, PIN, INSERT MODULE

2226454-1  
PART NUMBER

THIS DRAWING IS A CONTROLLED DOCUMENT.		DWN DLB	29MAY2013	
DIMENSIONS:		CHK R LUENTF	29MAY2013	
mm	TOLERANCES UNLESS OTHERWISE SPECIFIED:	APVD	-	NAME
0 PLC	±	PRODUCT SPEC	-	ASSEMBLY, PIN, INSERT MODULE
1 PLC	±.5	APPLICATION SPEC	-	CABLE ATTACH, GbE + POWER
2 PLC	±.13	SIZE	-	A
3 PLC	±.013	CAGE CODE	-	00779
4 PLC	±.0001	DRAWING NO	-	2226454
ANGLES	±	RESTRICTED TO	-	
MATERIAL	FINISH	WEIGHT	-	SCALE
-	-	CUSTOMER DRAWING	-	8:1
-	-			SHEET
				1 OF 1
				REV
				H

单击下面可查看定价，库存，交付和生命周期等信息

[>>TE Connectivity\(泰科\)](#)