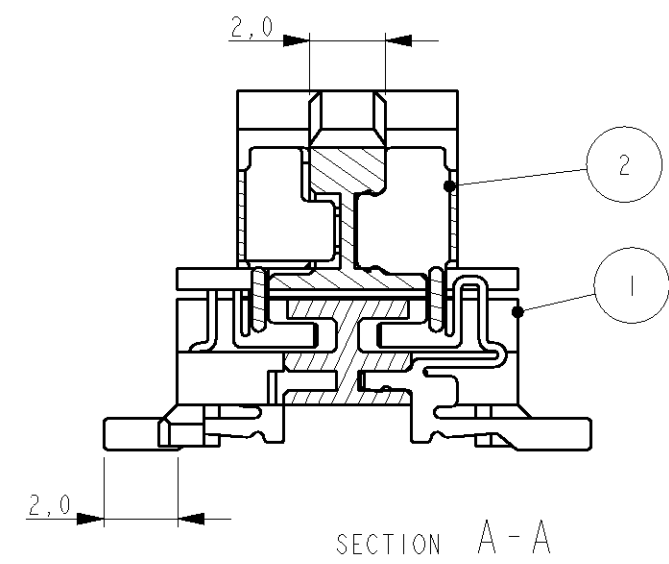
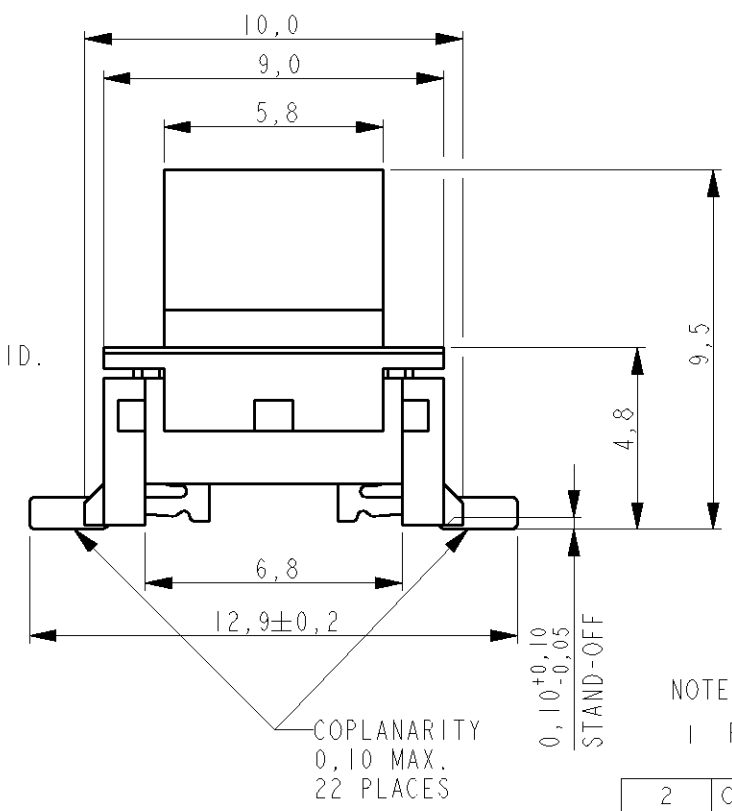
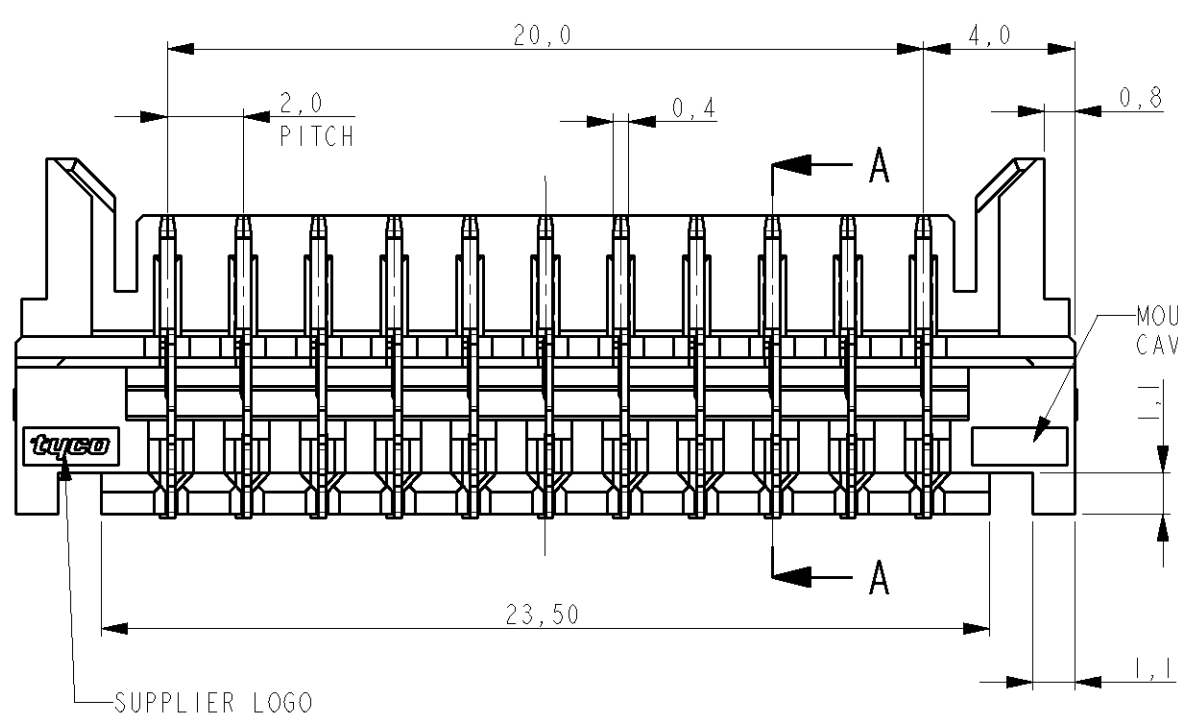
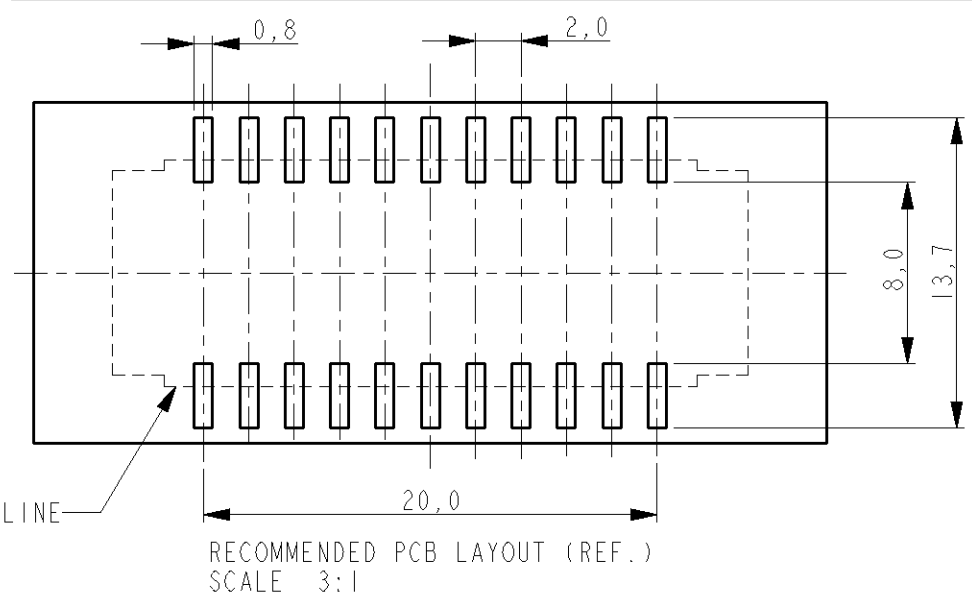
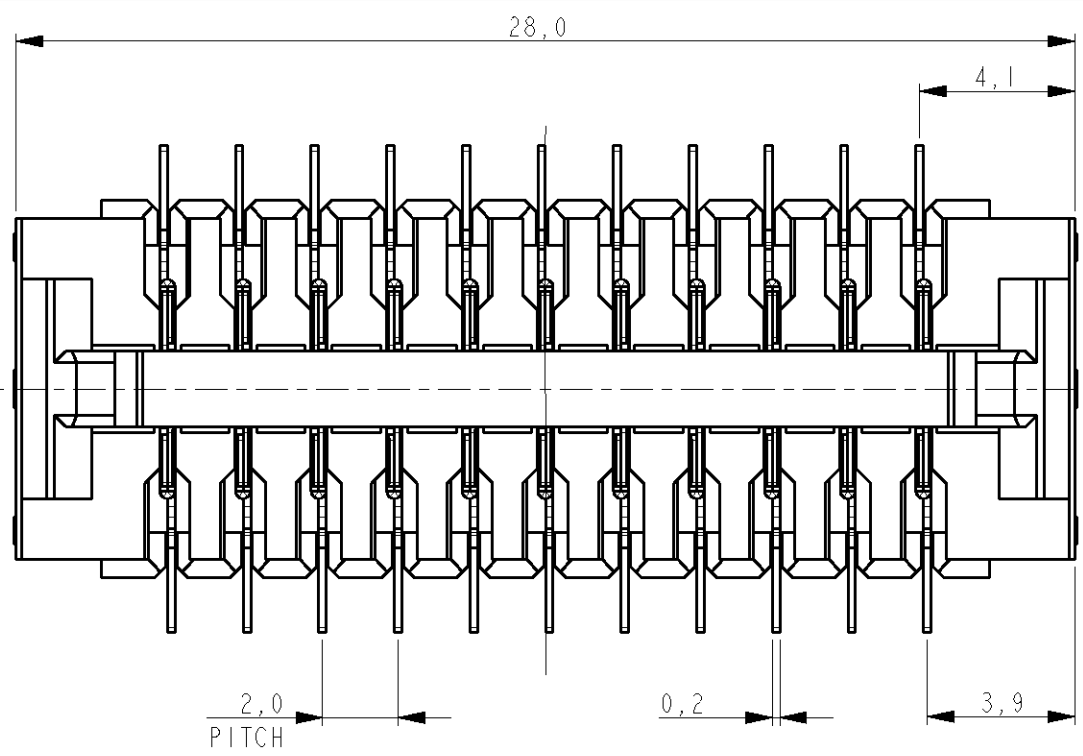
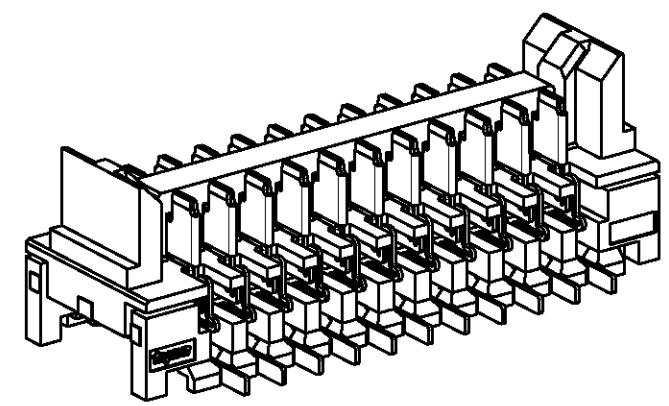


THIS DRAWING IS UNPUBLISHED. RELEASED FOR PUBLICATION
 © COPYRIGHT - BY TYCO ELECTRONICS CORPORATION. ALL RIGHTS RESERVED.

LOC	DIST	REVISIONS					
		P	LTR	DESCRIPTION	DATE	DWN	APVD
H	-		A	RELEASED FOR PRODUCTION	13DEC2006	WJ	RL
			B	ECR-07-019590	17AUG2007	JV	RL



NOTES:
 1 PACKAGING IN EMBOSS TAPE AND REEL ACCORDING EIA STANDARD 481-B.



SCALE 3:1

1857567-1 AS SHOWN

THIS DRAWING IS A CONTROLLED DOCUMENT FOR TYCO ELECTRONICS CORPORATION IT IS SUBJECT TO CHANGE AND THE CONTROLLING ENGINEERING ORGANIZATION SHOULD BE CONTACTED FOR THE LATEST REVISION.

DIMENSIONS: mm	TOLERANCES UNLESS OTHERWISE SPECIFIED: 0 PLC ±0,2 1 PLC ±0,1 2 PLC ±0,05 3 PLC ±0,025 4 PLC ±0,005 ANGLES ±2,0
MATERIAL	SEE TABLE

2	CONTACT	COPPER ALLOY (+/-0,2mm)	TIN PLATING
1	HOUSING	LIQUID CRISTAL POLYMER	BLACK
ITEM NO.	DESCRIPTION	MATERIAL	FINISH
DWN	03-Mar-2006	Tyco Electronics Nederland BV 's-Hertogenbosch, The Netherlands	
CHK	W. Jansen	NAME	
APVD	03-Mar-2006	2.0 A-F CONN. TAB ASSEMBLY SMD VERSION 22 POSITIONS	
PRODUCT SPEC	H. d. Otter	SIZE	CAGE CODE
APPLICATION SPEC	Jan Broeksteeg	A3	00779
WEIGHT	-	DRAWING NO	1857567
CUSTOMER DRAWING		SCALE	5:1
		SHEET	1 OF 1
		REV	B

单击下面可查看定价，库存，交付和生命周期等信息

[>>TE Connectivity\(泰科\)](#)