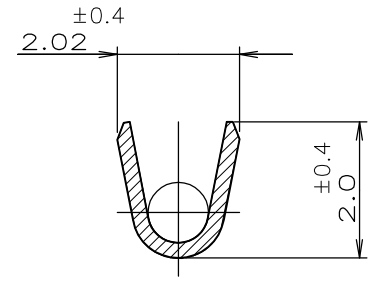
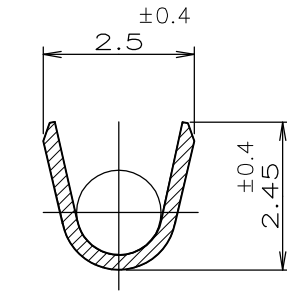
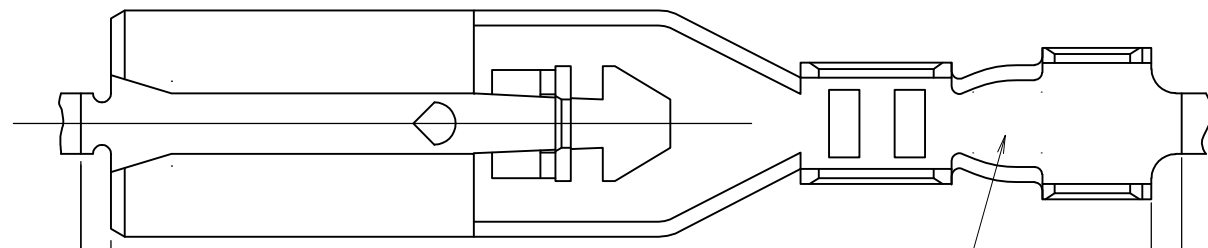


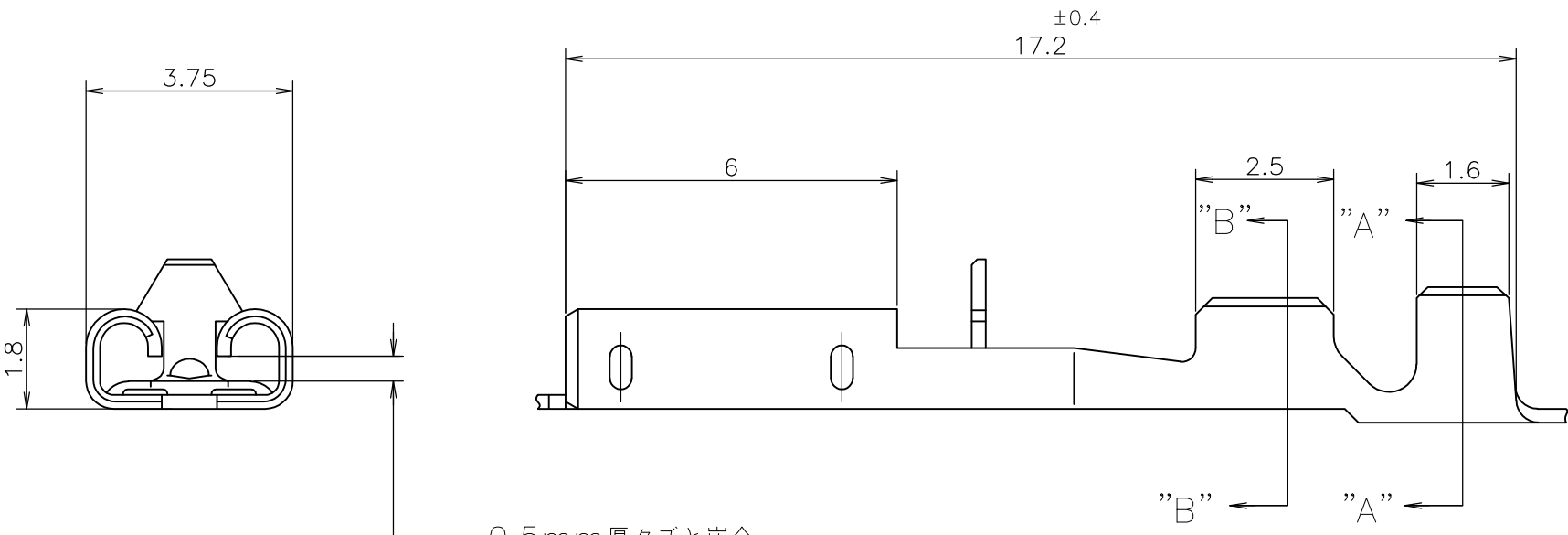
THIS DRAWING IS UNPUBLISHED. RELEASED FOR PUBLICATION  
 © COPYRIGHT - By - ALL RIGHTS RESERVED.

REVISIONS 変更					
P	LTR	DESCRIPTION	DATE	DWN	APVD
	F6	REVISED PER ECO-13-003391	25FEB13	B.P	YH.M
	F5	ECR-14-004105	27MAR14	D.L	T.D
	F6	ECO-17-012711	31AUG17	RS	TD



カット オフ タブ 0.5<sup>MAX</sup>  
CUT OFF TAB

0.5<sup>MAX</sup> カット オフ タブ  
CUT OFF TAB



0.5mm厚タブと嵌合  
MATE WITH 0.5mm THK. TAB

NOTES

- 1. HOUSING P/N : 174779-1
- 2. APPLICATER P/N: 909101-2
- 3. LOOSE PIECE P/N: SEE TABLE
- 4. OBSOLETE PARTS: OBSOLETE CIS STREAMLINING PER D.RENAUD/D.SINISI

	—//—	BRASS, GOLD PLATING	175411-7
OBSOLETE	—//—	めっきなし・黄銅 PLAIN BRASS	175411-5
OBSOLETE	175412-2	錫めっき済黄銅 PRE-TIN PHOS BRO	175411-2
	175412-1	錫めっき済黄銅 PRE-TIN BRASS	175411-1
	バラ状・型番 LOOSE PIECE P/N	材料 MATERIAL	型番 P/N
WIRE RANGE 総合電線断面積		INSULATION DIA 被覆外径	
AWG #24~#20		φ1.02~φ1.78	

THIS DRAWING IS A CONTROLLED DOCUMENT.

DIMENSIONS: 単位: 耗 mm	TOLERANCES UNLESS OTHERWISE SPECIFIED: 一般公差
	0 PLC ± 0.2
	1 PLC ± 0.25
	2 PLC ± 0.3
	3 PLC ± 0.3
	4 PLC ±
	ANGLES ± 3DEG
MATERIAL 材料	FINISH 仕上
SHEE TABLE	SHEE TABLE

DWN D.L	27MAR2014	TE Connectivity			
CHK T.D	27MAR2014				
APVD YH.M	27MAR2014				
PRODUCT SPEC 製品規格	108-5252	NAME 名称			
APPLICATION SPEC 取付適用規格	114-5120	110SERIES POSITIVE LOCK REC. CONTACT			
WEIGHT		SIZE	CAGE CODE	DRAWING NO 番号	RESTRICTED TO
		A3	00779	C-175411	—
CUSTOMER DRAWING		SCALE 尺度	SHEET	REV	
		8:1	1 OF 1	F6	

单击下面可查看定价，库存，交付和生命周期等信息

[>>TE Connectivity\(泰科\)](#)