

4

3

2

1

THIS DRAWING IS UNPUBLISHED
VERTRAULICHE UNVERÖFFENTLICHE ZEICHNUNG

RELEASE FOR PUBLIKATION
FREI FUER VERÖFFENTLICHUNG

MATED WITH:
PASSEND ZU:

LOC AI
DIST -

REVISIONS
ÄNDERUNGEN

© COPYRIGHT 2000 BY AMP INCORPORATED ALL RIGHTS RESERVED
ALLE RECHTE VORBEHALTEN

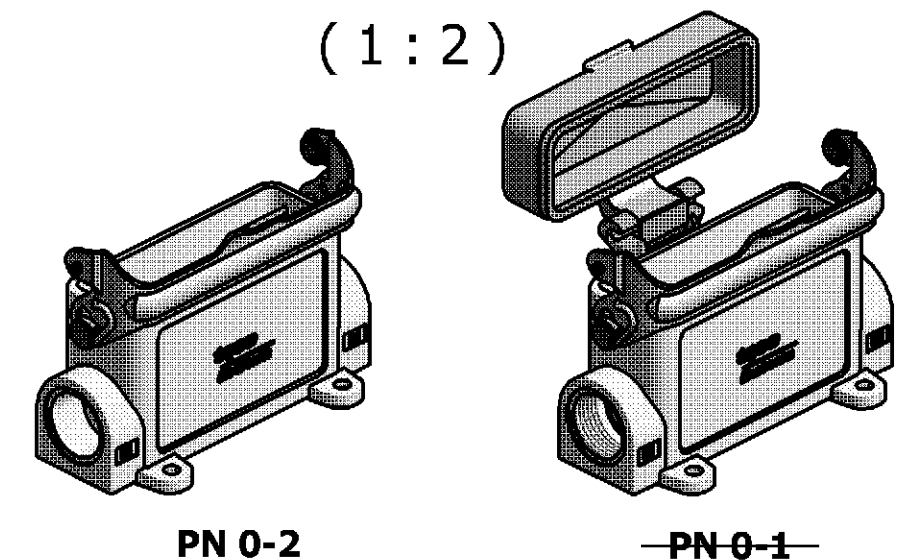
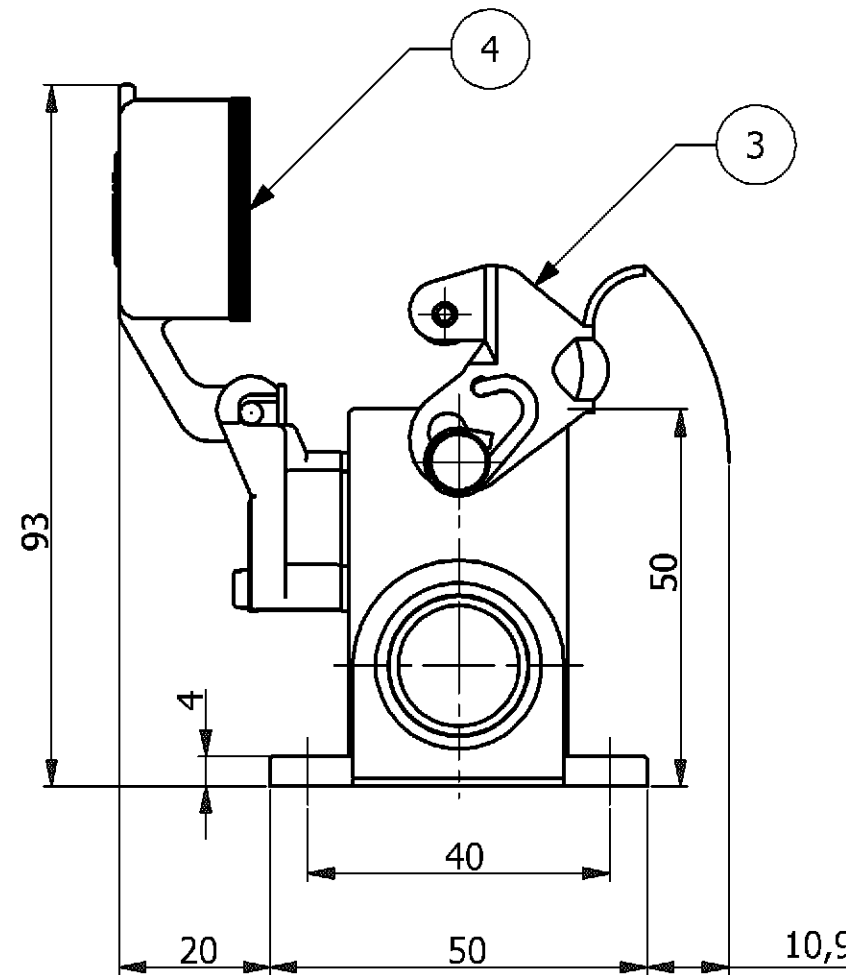
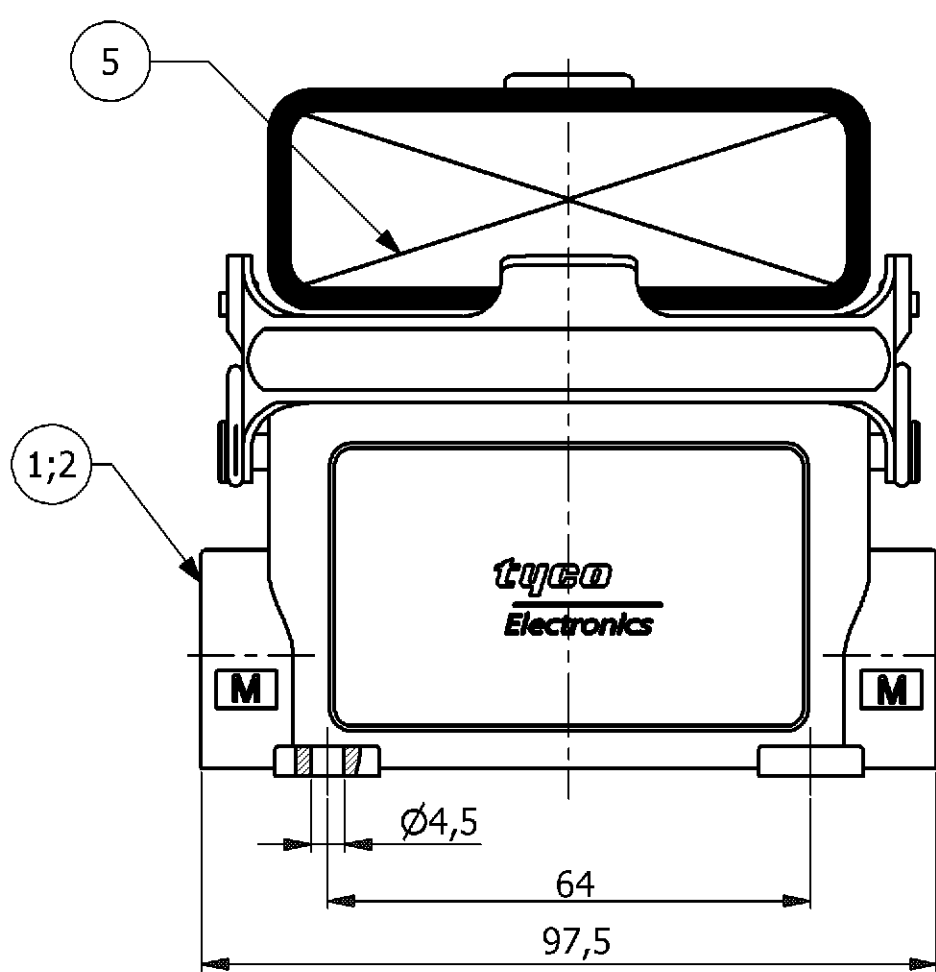
BG5

PROJEKT NR.
EGGMA05416

P	LTR	DESCRIPTION BESCHREIBUNG	DATE	DWN	APVD
B1		AS PER ECR-07-012982	5/28/2007	PB	ST
B2		ECR-17-001189	17AUG2017	RG	MKO

NOTES

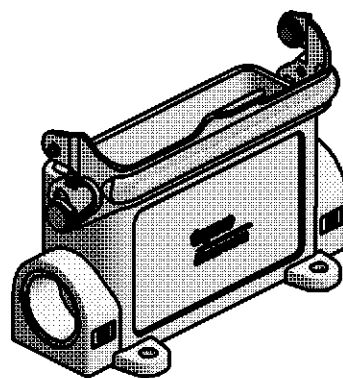
- 1 PACKAGING QUANTITY: 5 PIECES PER BOX
- 2 MATERIAL: SEE TABLE
- 3 FINISH: VARNISH
- 4 VARNISH ON THE INSIDE NOT NECESSARY



Ordering Text
HA.16.SGD-LB.2.M20.Z

Ordering Text
HA.16.SGD-LB.2.M20.Z

~~PN 0-1 as shown~~



PN 0-4

Ordering Text
HA-K.16.SGD-LB.2.M20.Z

OBSOLETE

QTY	DESCRIPTION	MATERIAL	SURFACE	COLOR	ITEM NO.	REMARKS
1	Surface Mounted Housing-Side Entry	Aluminium	HC	Black	6	-
-	Cover	Aluminium	-	Grey	5	-
-	Profile Seal	Neoprene	-	Black	4	-
1	Side Clip	Steel	Zinc Plated	Blue	3	-
-	Surface Mounted Housing-Side Entry	Aluminium	-	Grey	2	-
-	Surface Mounted Housing-Side Entry	Aluminium	-	Grey	1	-

QTY	DESCRIPTION	MATERIAL	SURFACE	COLOR	ITEM NO.	REMARKS
0-4	0-2	0-1				

THIS DRAWING IS A CONTROLLED DOCUMENT FOR AMP INCORPORATED. IT IS SUBJECT TO CHANGE AND THE CONTROLLING ENGINEERING ORGANIZATION SHOULD BE CONTACTED FOR THE LATEST REVISION. DIESSES ZEICHNUNGSDOKUMENT WIRD DURCH AMP INCORPORATED KONTROLLIERT. ÄNDERUNGEN, DIE DEM TECHNISCHEN FORTSCHRITT DIENEN, SIND VORBEHALTEN. DEN JEWELIGS LETZTGÜLTIGEN ÄNDERUNGSSTAND ERFAHREN SIE AUF ANFRAGE.		DWN	P.BENNUR	3/2/2006		SURFACE MOUNTED HOUSING, SIDE ENTRY HA.16.SG/D-LB.2.M20.Z
DIMENSIONS: DIMENSIONEN: mm		CHK	R.SRINIVAS	3/2/2006		
TOLERANCES UNLESS OTHERWISE SPECIFIED: ALLGEMEINTOLERANZEN n. ISO 8015 - mH-E n. ISO 2768 - 140 n. DIN 16901-		APVD	T.SCHNURPFEL	3/2/2006		
		PRODUCT SPEC. PRODUKTSPEZ.		NAME		
MATERIAL		APPLICATION SPEC. VERARBEITUNGSSPEZ.		SIZE		
FINISH / OBERFLÄCHE / FARBE		WEIGHT GEWICHT		DRAWING NO. ZEICHNUNGS-NR.		
2		3		A3 00779		
		CUSTOMER DRAWING / KUNDENZEICHNUNG		RESTRICTED TO NUR FUER		
		SCALE MASSSTAB 1:1		SHEET BLATT 1 OF VON 1		
				REV. B2		

H:\HITS\Projects\ESQ\05-110-HPA-1D Hoods and Housing\HA_16\Assemblies\1106438_C-1106438.dwg

单击下面可查看定价，库存，交付和生命周期等信息

[>>TE Connectivity\(泰科\)](#)