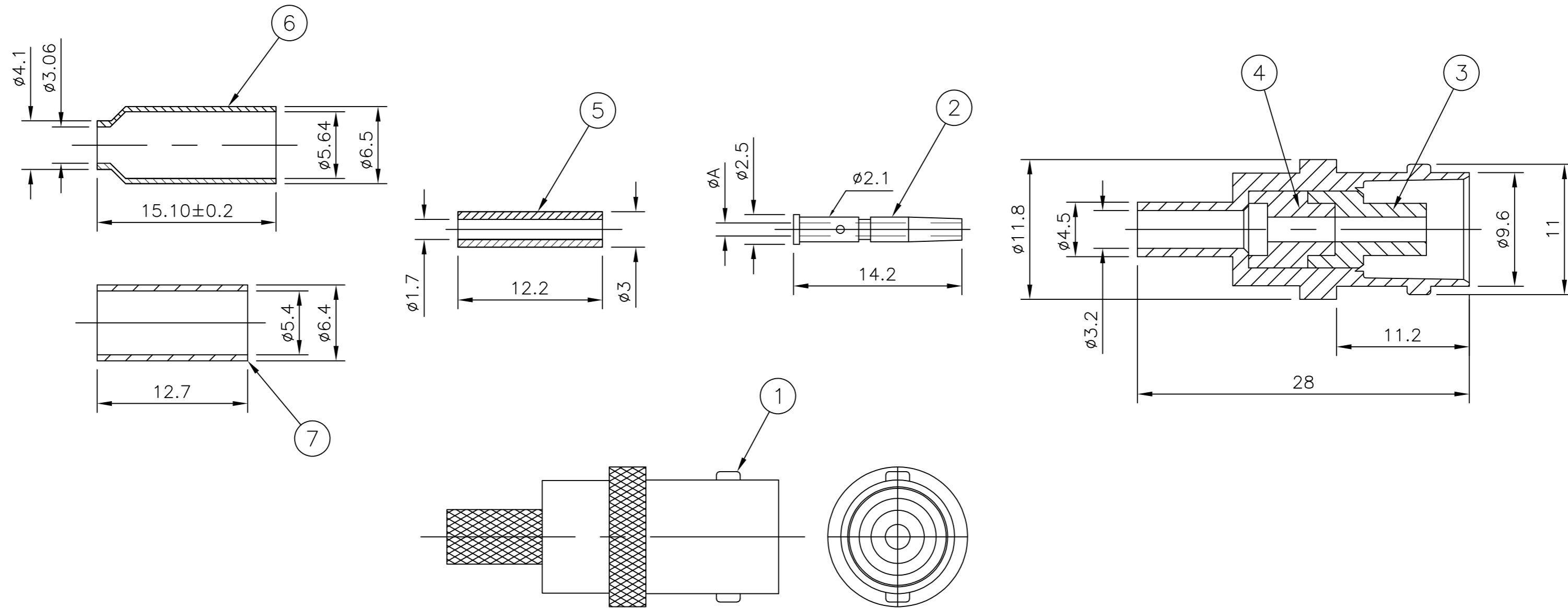


THIS DRAWING IS UNPUBLISHED. RELEASED FOR PUBLICATION JUNE ,2004.  
 © COPYRIGHT 2004 By - ALL RIGHTS RESERVED.

LOC	DIST	REVISIONS					
E	B	P	LTR	DESCRIPTION	DATE	DWN	APVD
		C1		ECO-09-023525	20 OCT 09	RITA	BOB
		D		ECO-12-014680	20Aug2012	TITAN	MARTIN

- NOTES**
- IP PACK: 1PC/ONE BAG, 100PCS/INNER BOX, 1000PCS/OUTER BOX
  - BULK PACK: 100PCS/ONE BAG, 100PCS/INNER BOX, 1000PCS/OUTER BOX
  - Au PLATING OVER Ni PLATING OVER Cu PLATING
  - Ni PLATING OVER Cu PLATING
  - HAND TOOL: 9-1478240-0
  - DIE SET: SEE TABLE
  - FOR TECHNICAL DATA REFER TO YOUR LOCAL TYCO ELECTRONICS SALES OFFICE
  - ALL DIMENSIONS ARE NOMINAL FOR REFERENCE ONLY UNLESS OTHERWISE STATED

				1.1	9-1478242-0	RG58C/U, 141A/U, URM43, 76, BELDEN 9907, KX 15			5-1634511-3
				1.1	9-1478242-0	RG58C/U, 141A/U, URM43, 76, BELDEN 9907, KX 15			5-1634511-2
				0.57	9-1478242-0	RG174A/U, 188A/U, 316/U, URM95, KX 3B, KX 22A			5-1634511-1
				0.57	9-1478242-0	RG174A/U, 188A/U, 316/U, URM95, KX 3B, KX 22A			5-1634511-0
				A	DIE SET	CABLE GROUPS			PART NO.



QTY	UNIT	DESCRIPTION	ITEM	
1	1	BRASS	CRIMP SLEEVE 7	
-	-	BRASS	CRIMP SLEEVE 6	
-	-	NYLON	PUSHER SLEEVE 5	
1	1	POLYMETHYLPENTENE	INSULATOR 4	
1	1	POLYMETHYLPENTENE	INSULATOR 3	
1	1	PHOSPHOR BRONZE	CONTACT 2	
1	1	ZINC ALLOY	BODY 1	
5	35	25	15	MATERIAL DESCRIPTION ITEM

THIS DRAWING IS A CONTROLLED DOCUMENT.

DWN: RITA ZUO 24 Feb 09  
 CHK: ANSON MA 24 Feb 09  
 APVD: BOB ZHAO 24 Feb 09

TE Connectivity  
**BNC STRAIGHT JACK CRIMP**  
 50 OHM

PRODUCT SPEC: 108-112000  
 APPLICATION SPEC: SEE SHEET 2

SIZE: A2 CAGE CODE: 00779 DRAWING NO: 1634511 RESTRICTED TO: -

MATERIAL: SEE TABLE FINISH: SEE TABLE WEIGHT: -

CUSTOMER DRAWING SCALE: NTS SHEET: 1 of 2 REV: D

THIS DRAWING IS UNPUBLISHED. RELEASED FOR PUBLICATION JUNE ,2004.  
 © COPYRIGHT 2004 By - ALL RIGHTS RESERVED.

LOC		DIST		REVISIONS			
P	LTR	DESCRIPTION	DATE	DWN	APVD		
-	-	SEE SHEET 1	-	-	-		

COMPONENTS

MAIN BODY (ITEM 1,3, & 4)	CONTACT (ITEM 2)	PUSHER SLEEVE (ITEM 5)	CRIMP FERRULES (ITEM 6 & 7)

ASSEMBLY INSTRUCTION

CABLES: RG58C/U, 141A/U, URM43, 76, BELDEN 9907, KX 15	CABLES: RG174A/U, 188A/U, 316/U, URM95, KX 3B, KX 22A
<p><b>STEP 1</b></p> <p>1. SLIDE METAL CRIMP FERRULE OVER CABLE</p>	<p><b>STEP 1</b></p> <p>1. SLIDE METAL CRIMP FERRULE OVER CABLE</p>
<p><b>STEP 2</b></p> <p>1. STRIP CABLE TO DIMENSIONS AS SHOWN</p>	<p><b>STEP 2</b></p> <p>1. STRIP CABLE TO DIMENSIONS AS SHOWN</p>
<p><b>STEP 3</b></p> <p>1. FIT CONTACT OVER CENTRE CONDUCTOR TO BUTT AGAINST DIELECTRIC. 2. CRIMP USING TOOL AS NOTES ON PAGE 1.</p> <p>RECOMMENDED CENTRE CONTACT A/F HEX</p>	<p><b>STEP 3</b></p> <p>1. SLIDE ITEM 10 PUSHER SLEEVE OVER DIELECTRIC BEFORE FITTING THE CONTACT. 2. FIT CONTACT OVER CENTRE CONDUCTOR TO BUTT AGAINST DIELECTRIC. 3. CRIMP USING TOOL AS NOTES ON PAGE 1.</p> <p>RECOMMENDED CENTRE CONTACT A/F HEX</p>
<p><b>STEP 4</b></p> <p>1. PRESS SUB-ASSEMBLY INTO BODY, UNTIL CONTACT IS FULLY LOCATED BY AN AUDIBLE CLICK. 2. ENSURE THAT KNURLED HOUSING INSERTS BETWEEN THE DIELECTRIC AND CABLE BRAID.</p>	<p><b>STEP 4</b></p> <p>1. PRESS SUB-ASSEMBLY INTO BODY, UNTIL CONTACT IS FULLY LOCATED BY AN AUDIBLE CLICK. 2. ENSURE THAT KNURLED HOUSING INSERTS BETWEEN THE PUSHER SLEEVE AND CABLE BRAID.</p>
<p><b>STEP 5</b></p> <p>1. SLIDE CRIMP FERRULE ALONG THE CABLE UNTIL IT BUTTS AGAINST THE HOUSING BODY. 2. CRIMP USING TOOL AS NOTED ON PAGE 1. 3. CRIMP DIMENSION AS SHOWN.</p> <p>RECOMMENDED CRIMP SLEEVE A/F HEX</p>	<p><b>STEP 5</b></p> <p>1. SLIDE CRIMP FERRULE ALONG THE CABLE UNTIL IT BUTTS AGAINST THE BODY HOUSING. 2. CRIMP USING TOOL AS NOTED ON PAGE 1. 3. CRIMP DIMENSION AS SHOWN.</p> <p>RECOMMENDED CRIMP SLEEVE A/F HEX</p>

THIS DRAWING IS A CONTROLLED DOCUMENT.		DWN RITA ZUO 24 Feb 09	TE Connectivity	
DIMENSIONS: MM		CHK ANSON MA 24 Feb 09		
TOLERANCES UNLESS OTHERWISE SPECIFIED:		APVD BOB ZHAO 24 Feb 09	NAME	
0 PLC ± 0.5		PRODUCT SPEC 108-112000	BNC STRAIGHT JACK CRIMP	
1 PLC ± 0.3		APPLICATION SPEC SHEET 2	50 OHM	
2 PLC ± 0.2		WEIGHT -	SIZE A2	CAGE CODE 00779
3 PLC ± -		FINISH	DRAWING NO C=1634511	RESTRICTED TO -
4 PLC ± -		CUSTOMER DRAWING	SCALE NTS	SHEET 2 of 2
ANGLES ± -				REV D
SEE TABLE				

1634511

A

单击下面可查看定价，库存，交付和生命周期等信息

[>>TE Connectivity\(泰科\)](#)