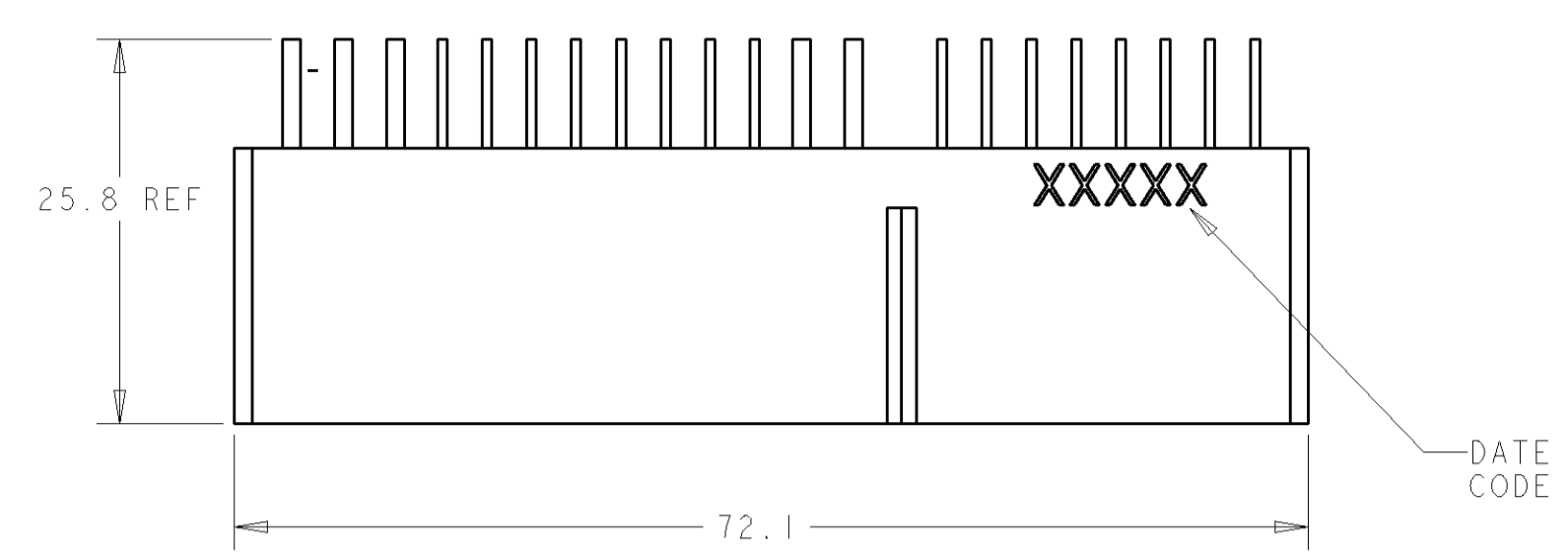
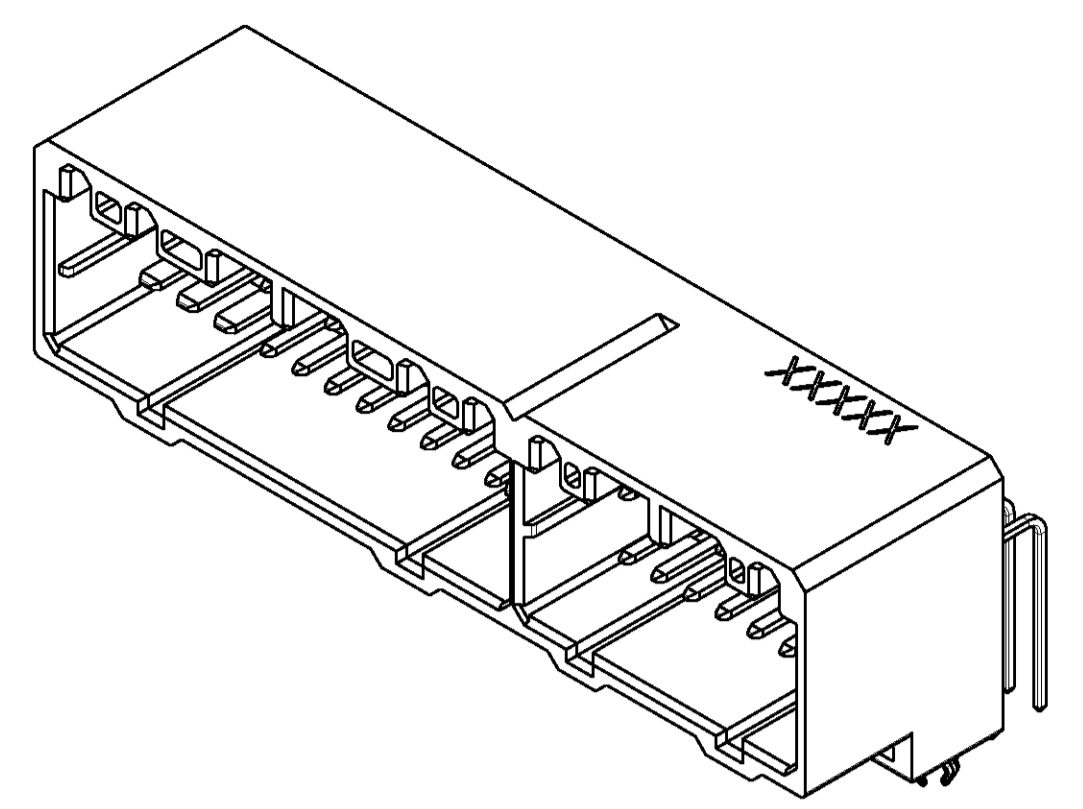
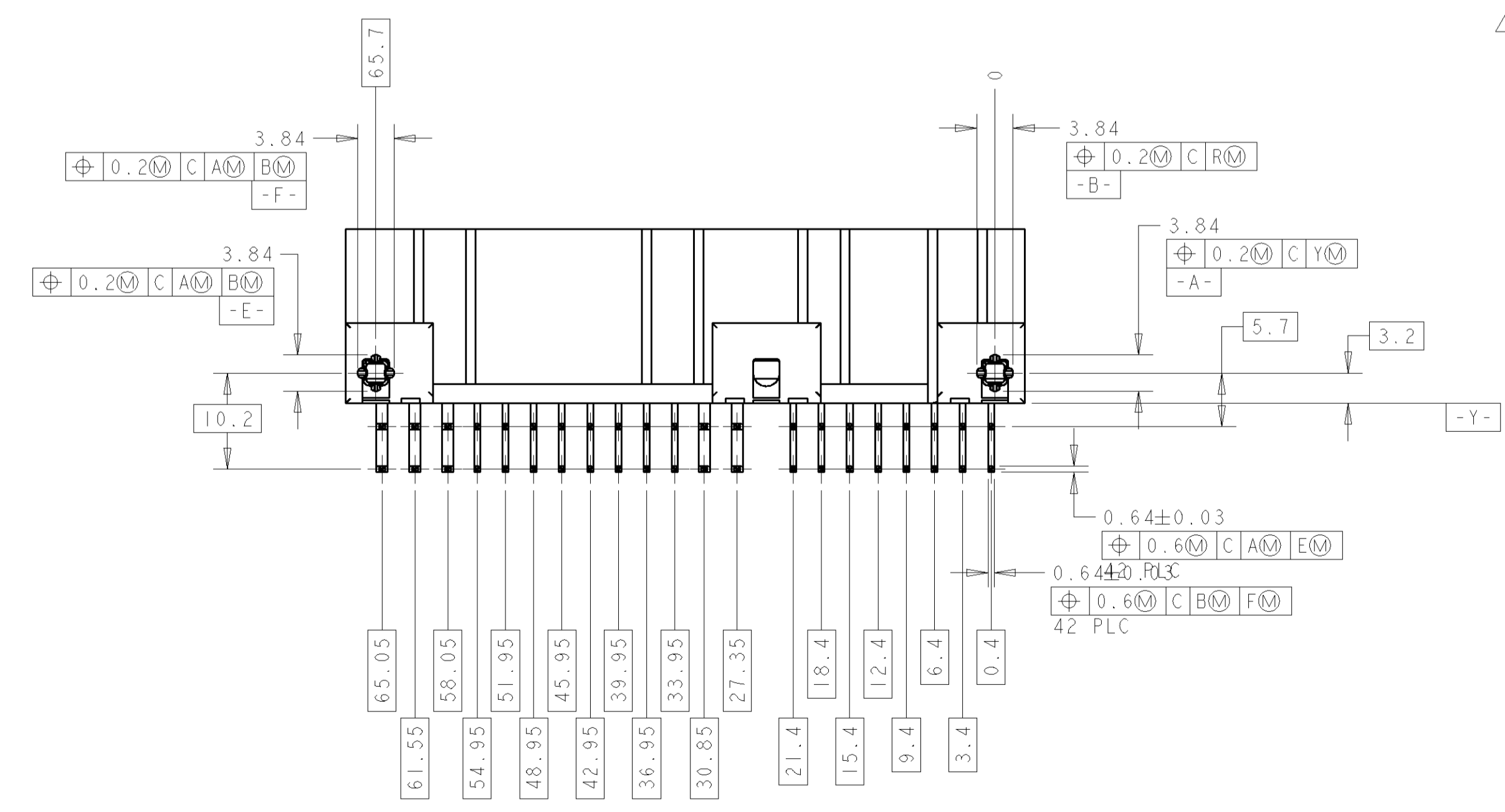
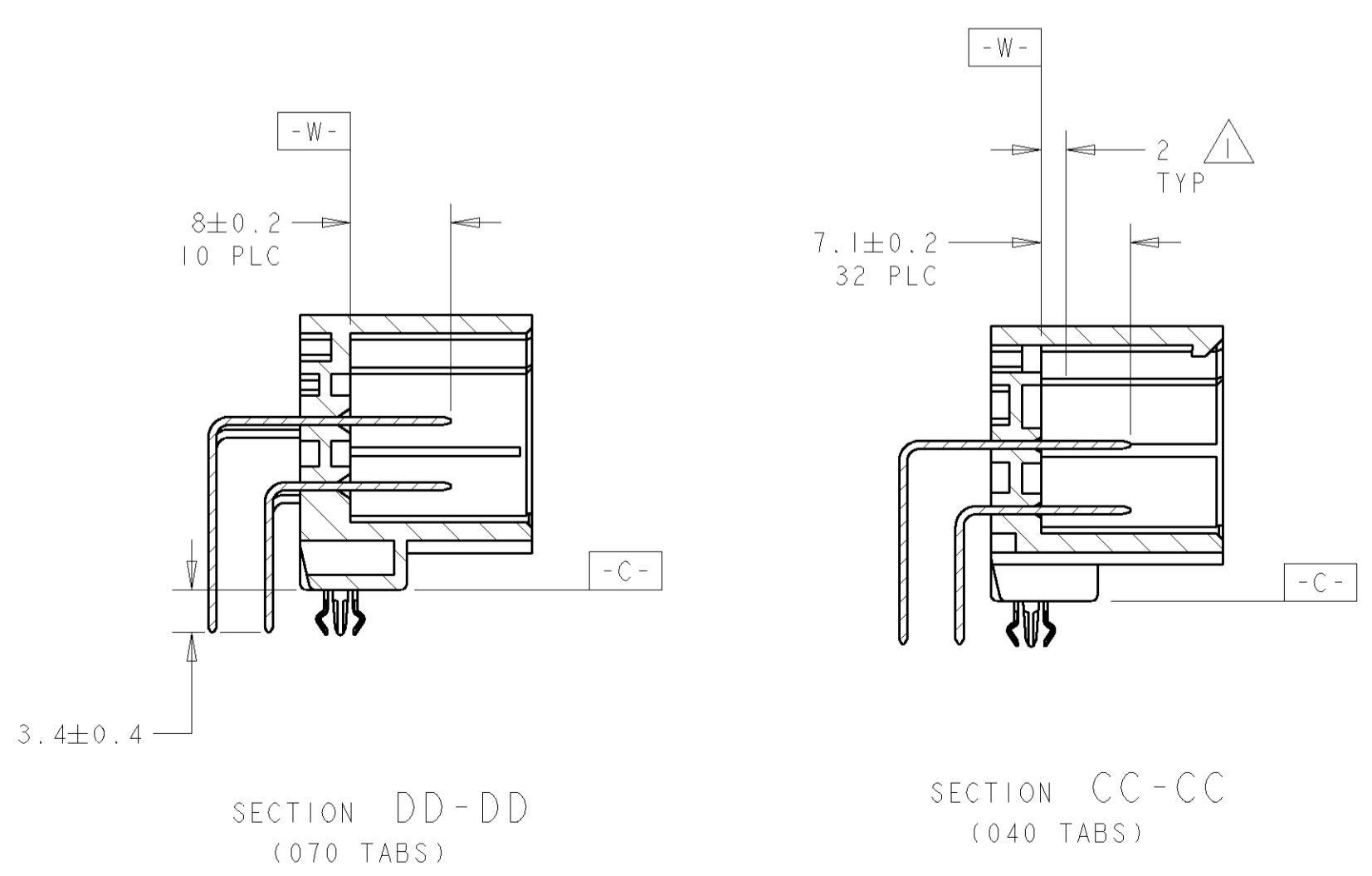
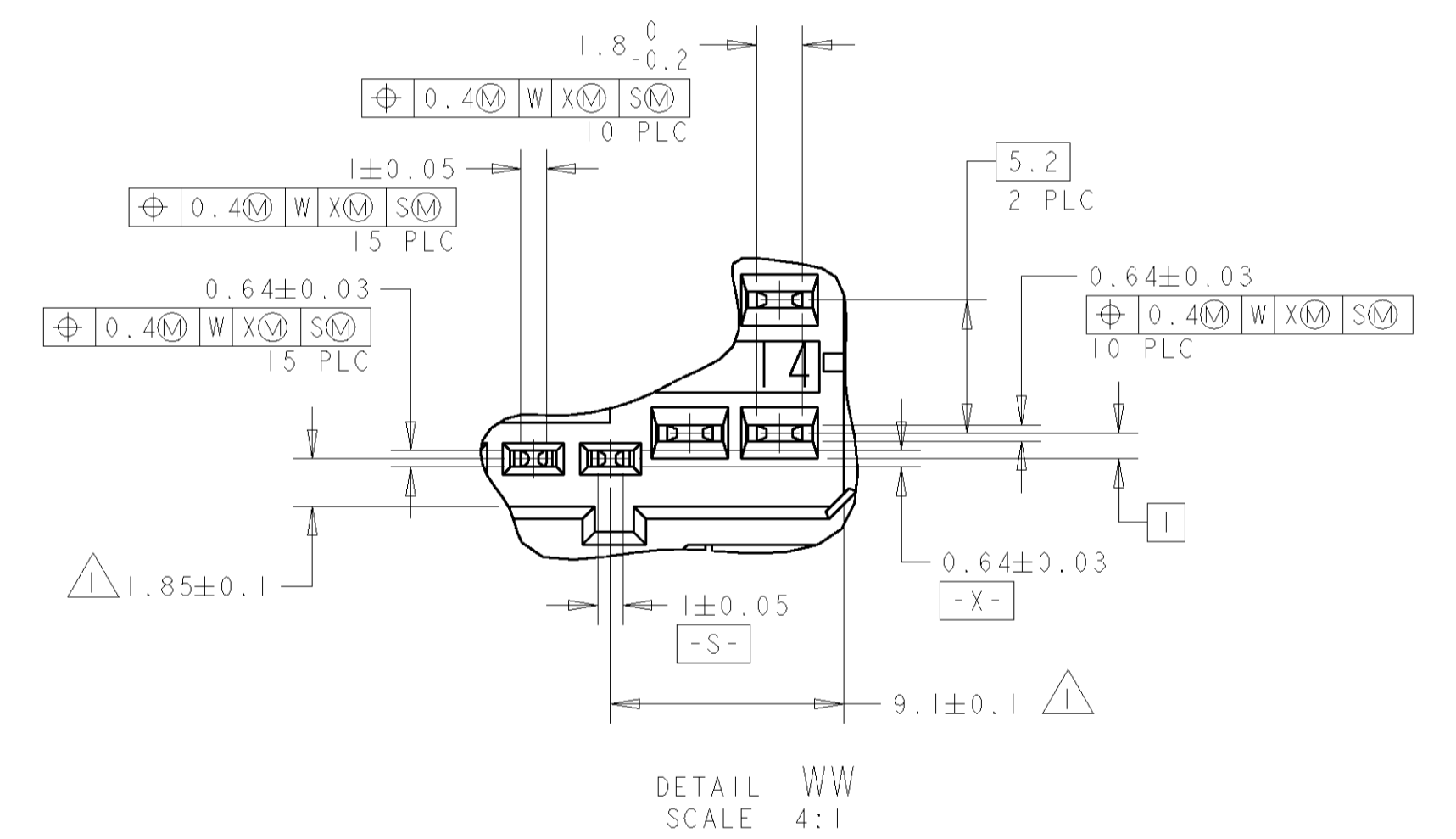
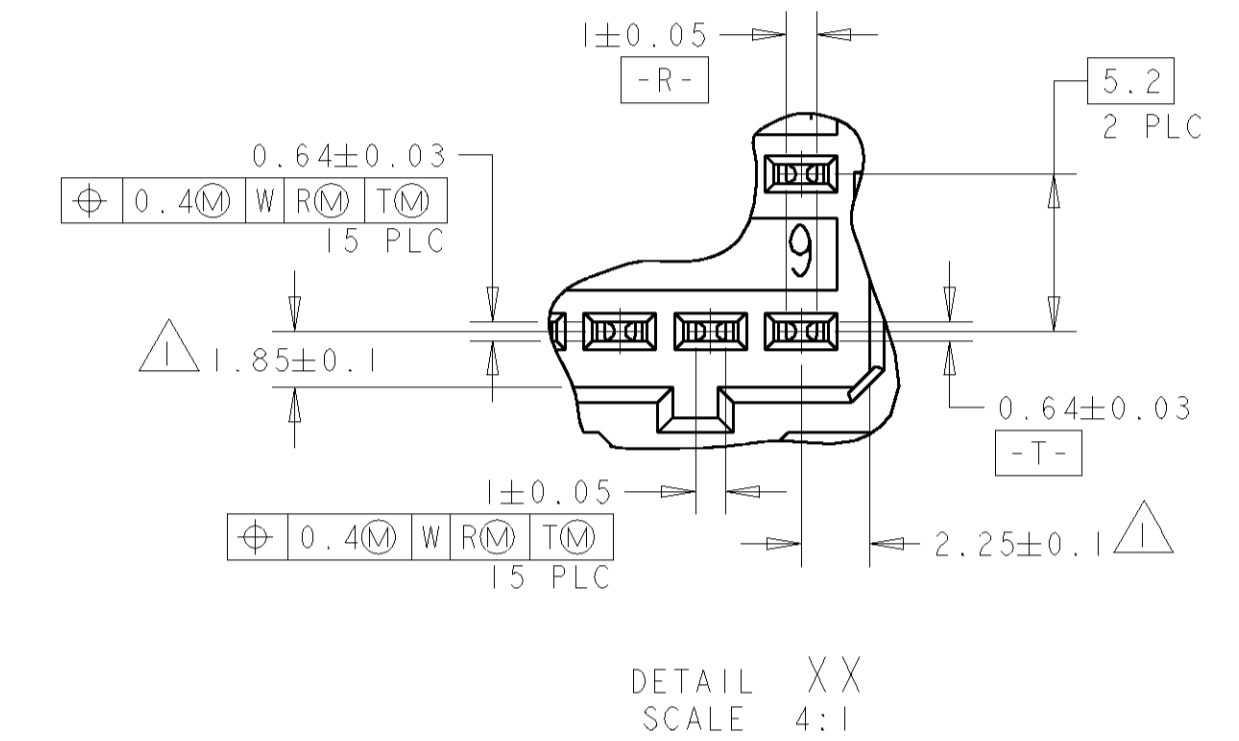
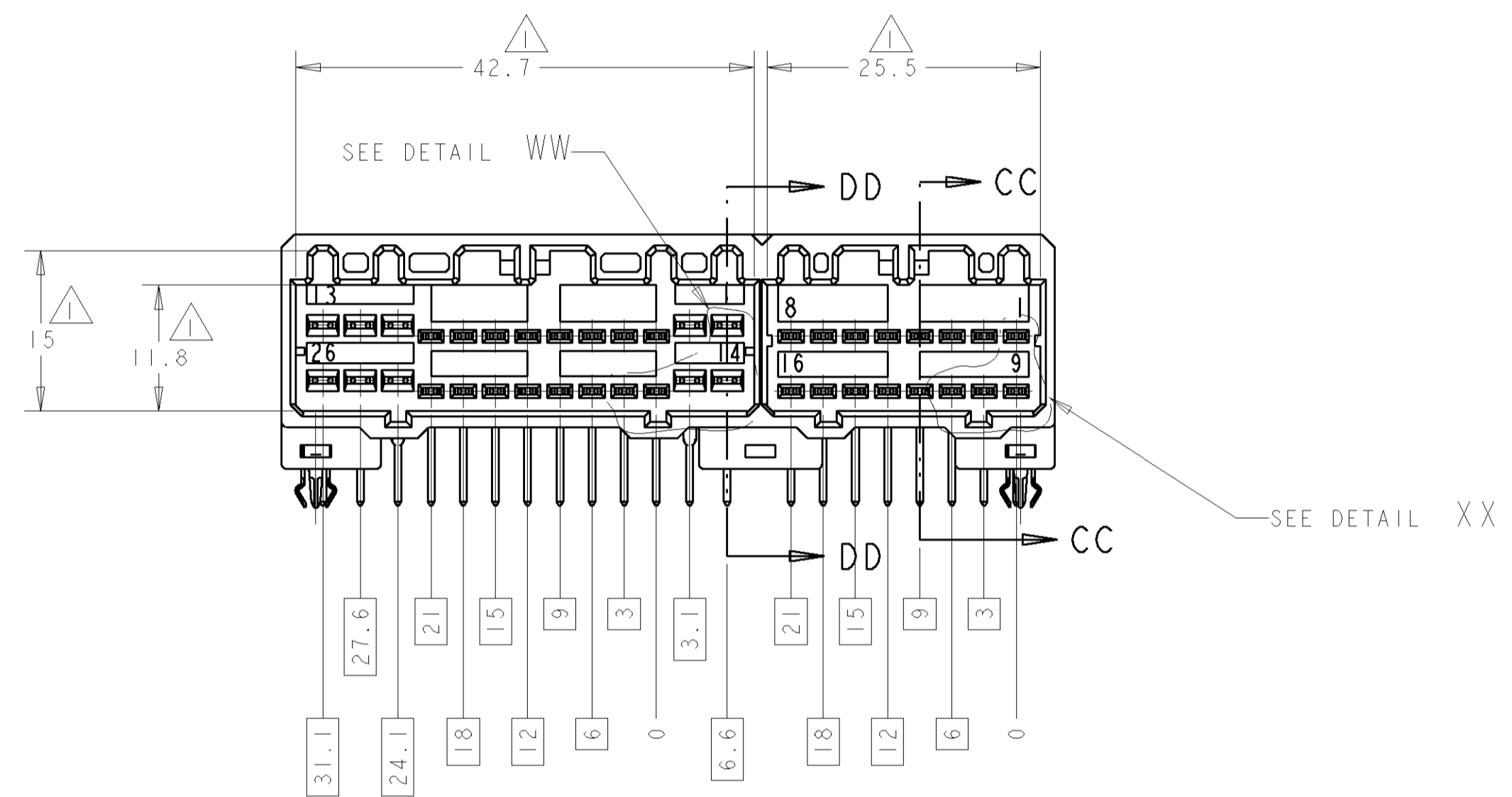
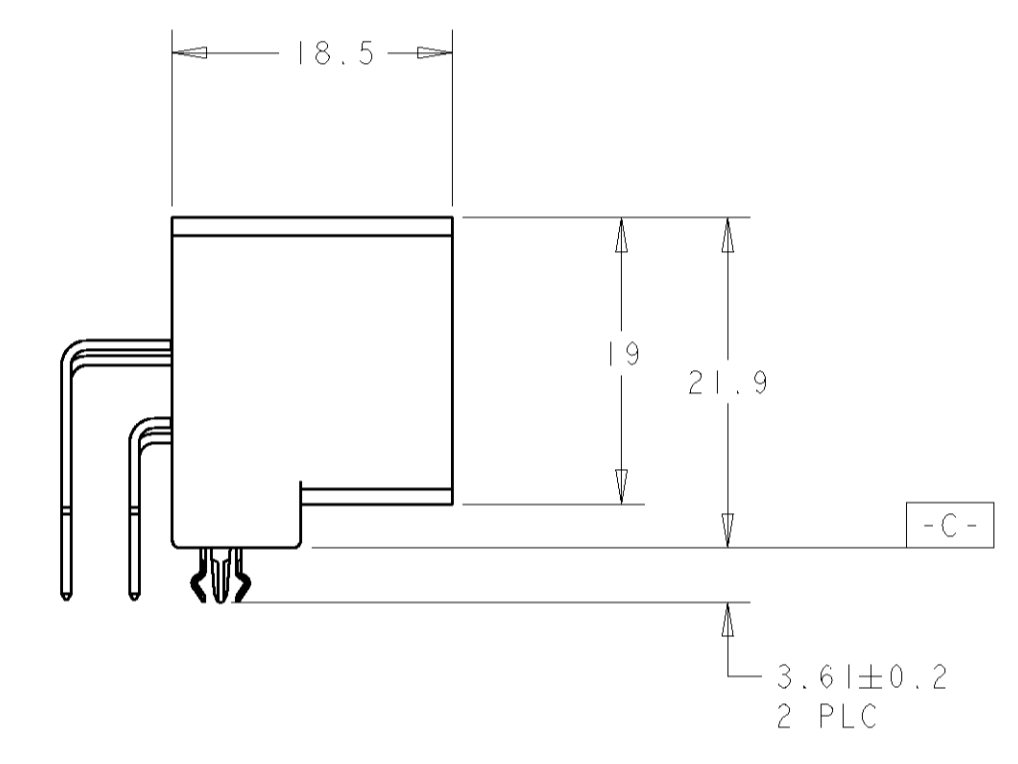


LOC	DIST	REVISIONS			
P	LTR	DESCRIPTION	DATE	DWN	APPR
0		RELEASED PER NPR 99043	14SEP99	JRB	RAS
A		REVISED PER ECN 0K80-0121-00	20MAY2000	JRB	RAS
B		REVISED PER EC 0K80-0171-04	12MAY2004	DLD	RMC



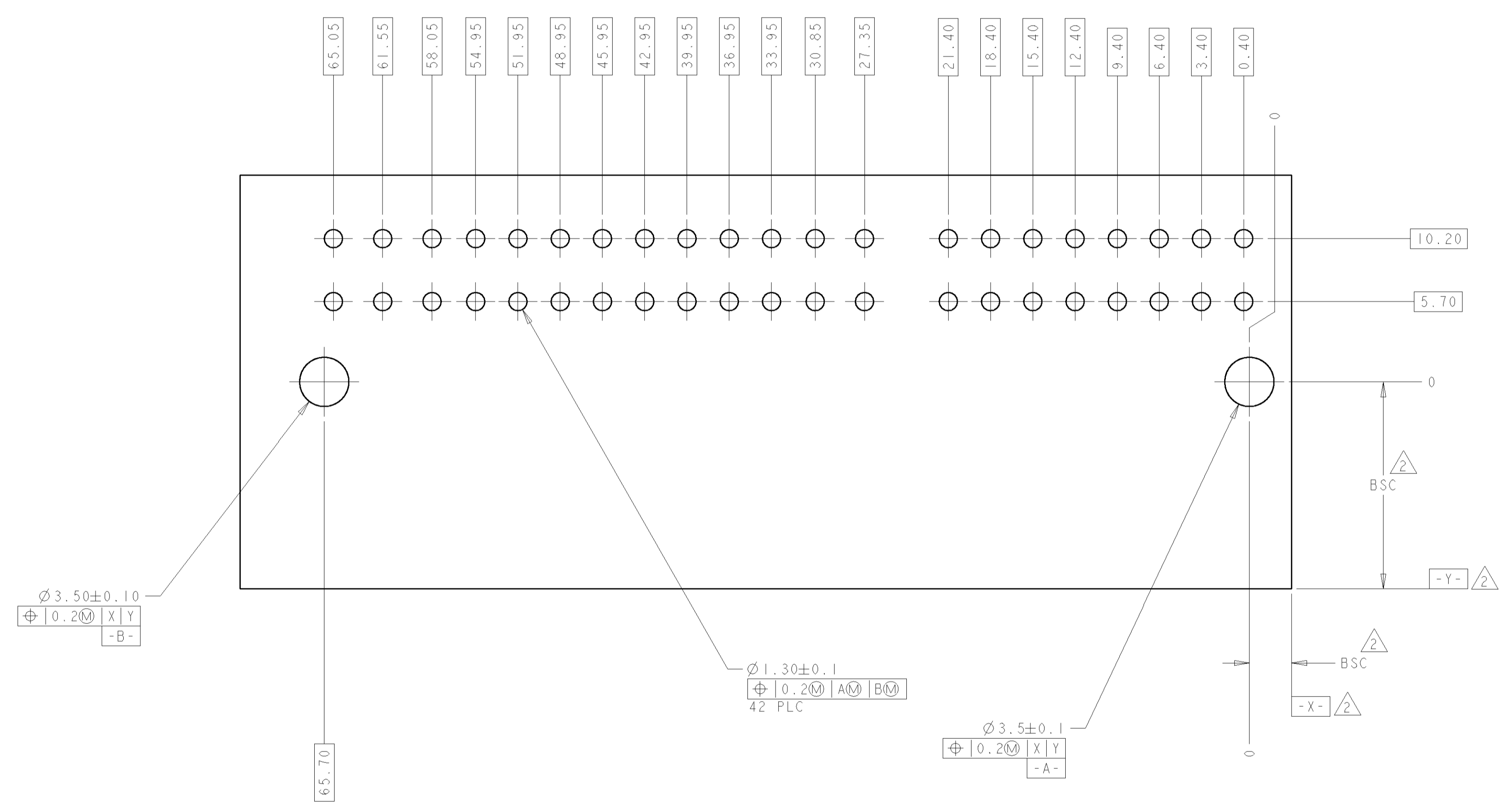
△ DIMENSION MUST BE HELD BETWEEN -W- AND 2mm FROM -W- .
 △ DATUMS AND BASIC DIMENSIONS ESTABLISHED BY CUSTOMER.
 3. THE MATING PLUG PART NUMBER IS 917992 & 917981.



POST TIN CONTACT AND BOARDLOCK FINISH	BRASS CONTACT AND BOARDLOCK MATERIAL	GRAY COLOR	HTN HOUSING MATERIAL	638184-6 PART NUMBER
SEE TABLE	SEE TABLE	SEE TABLE	SEE TABLE	SEE TABLE

DIMENSIONS: mm	TOLERANCES UNLESS OTHERWISE SPECIFIED: 0 PLC ± 1 PLC ±0.3 3 PLC ±0.15 4 PLC ± ANGLES ±	DWN R. CORE CHK R. SMITH APVD R. SMITH	11MAR99 11MAR99 11MAR99	NAME: 040/070 CAP ASSEMBLY, 42 POSITION HORIZONTAL WITH BOARDLOCKS
MATERIAL: SEE TABLE	FINISH: SEE TABLE	WEIGHT: 18.26 g	SIZE: A1 CAGE CODE: 00779 DRAWING NO: C=638184	RESTRICTED TO: - SCALE: 2:1 SHEET: 1 OF 2 REV: B

LOC	DIST	REVISIONS			
P	LTR	DESCRIPTION	DATE	DNW	APVD
-	-	SEE SHEET 1	-	-	-



P.C. BOARD LAYOUT
 (SOLDER SIDE)
 SCALE 4:1

<small>THIS DRAWING IS UNPUBLISHED. RELEASED FOR PUBLICATION. THE INFORMATION CONTAINED HEREIN IS THE PROPERTY OF TYCO ELECTRONICS CORPORATION. IT IS TO BE USED ONLY FOR THE PURPOSES AND CONDITIONS SPECIFIED IN THE DRAWING. NO PART OF THIS DRAWING IS TO BE REPRODUCED OR TRANSMITTED IN ANY FORM OR BY ANY MEANS, ELECTRONIC OR MECHANICAL, INCLUDING PHOTOCOPYING, RECORDING, OR BY ANY INFORMATION STORAGE AND RETRIEVAL SYSTEM, WITHOUT PERMISSION IN WRITING FROM TYCO ELECTRONICS CORPORATION.</small>		DWN R. CORE CHK R. SMITH APVD R. SMITH	I1MAR99 I1MAR99 I1MAR99	Tyco Electronics Harrisburg, PA 17105-3608
DIMENSIONS: mm		TOLERANCES UNLESS OTHERWISE SPECIFIED: 0 PLC ± 1 PLC ±0.3 2 PLC ±0.15 3 PLC ± 4 PLC ± ANGLES ±1° FINISH		NAME 040/070 CAP ASSEMBLY, 42 POSITION HORIZONTAL WITH BOARDLOCKS
MATERIAL -		WEIGHT -		SIZE CAGE CODE DRAWING NO RESTRICTED TO A 00779 C=638184 -
CUSTOMER DRAWING			SCALE 2:1 SHEET 2 OF 2 REV B	AMP

单击下面可查看定价，库存，交付和生命周期等信息

[>>TE Connectivity\(泰科\)](#)