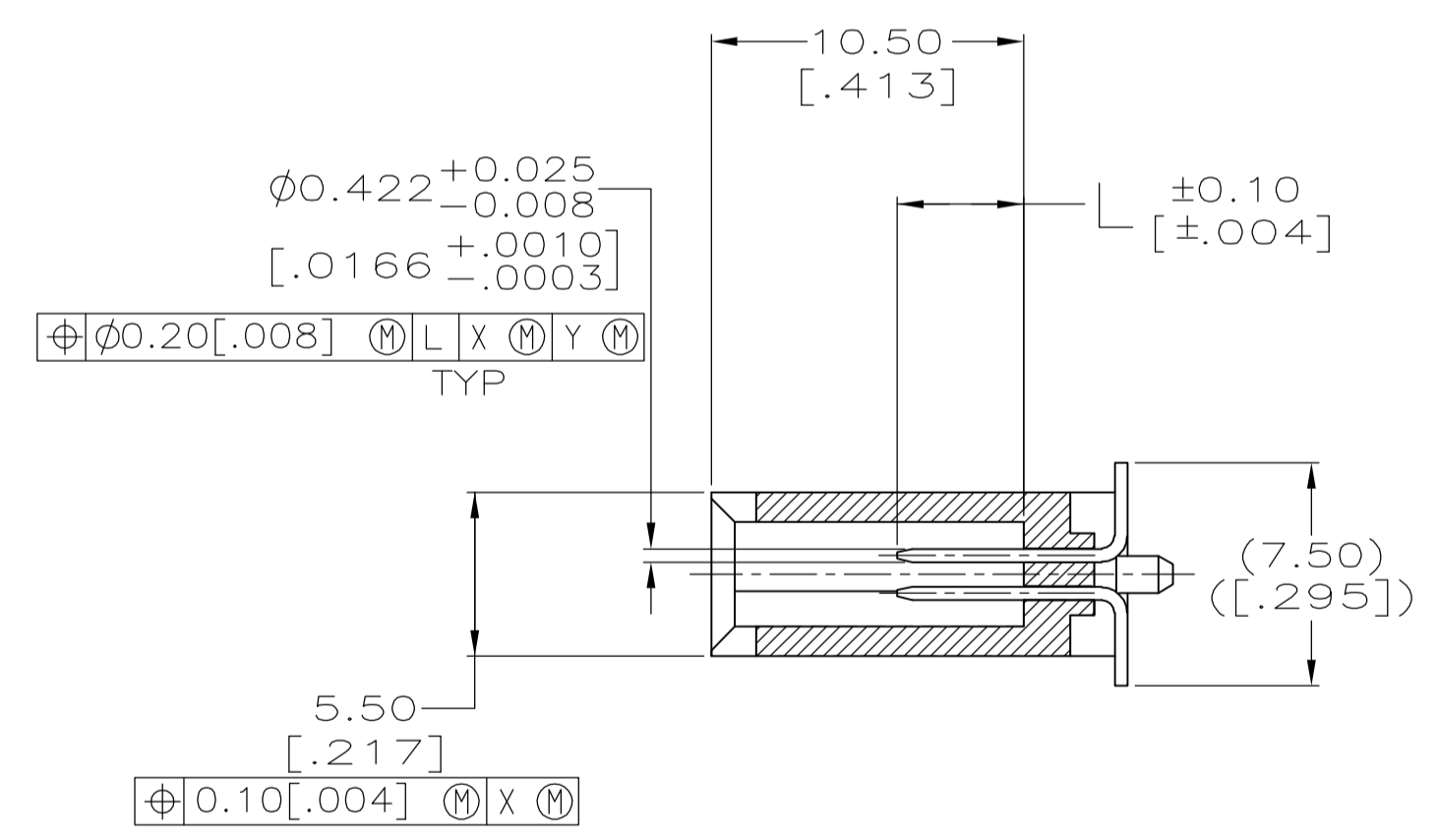


RECOMMENDED BOARD LAYOUT



SECTION C-C

- 1 CONTACTS: 0.00076[.000030] MINIMUM GOLD IN CONTACT AREA, 0.00381[.000150] MIN TIN ON SOLDER TAILS, ALL OVER 0.00127[.000050] MINIMUM NICKEL
- 2 DATUMS AND BASIC DIMENSIONS ESTABLISHED BY CUSTOMER
- 3. PRODUCT PACKAGED IN TUBES.
- 4 MATERIAL:
 HOUSING: LCP, COLOR BLACK
 CONTACTS: BRASS

**COPYRIGHT 2005
 TYCO ELECTRONICS CORP
 ALL RIGHTS RESERVED**

AS SHOWN	1,17,34 35,51,68	ALL OTHER PINS	36,67	5146733-1
DESCRIPTION	5.0[.197]	4.25[.167]	3.5[.138]	PART NUMBER
" L " PIN LENGTH AND LOCATION				

THIS DRAWING IS A CONTROLLED DOCUMENT.		DWG A. FERNANDEZ-DOCK5 03-29-05	Tyco Electronics Corporation Harrisburg, PA 17105-3608	
DIMENSIONS: mm[inches]		CHK D.L. GORENC 03-29-05	NAME M. WALMSLEY	
TOLERANCES UNLESS OTHERWISE SPECIFIED:		APVD M. WALMSLEY	PRODUCT SPEC	
0 PLC ± -		APPLICATION SPEC		
1 PLC ± ±		SIZE		
2 PLC ± ± 0.13[.005]		CAGE CODE		
3 PLC ± ±		DRAWING NO		
4 PLC ± ±		RESTRICTED TO		
ANGLES ± ± °		WEIGHT		
MATERIAL		A1 00779 C=5146733		
FINISH		CUSTOMER DRAWING		
SCALE 4:1		SHEET 1 OF 1		
REV 0				

单击下面可查看定价，库存，交付和生命周期等信息

[>>TE Connectivity\(泰科\)](#)