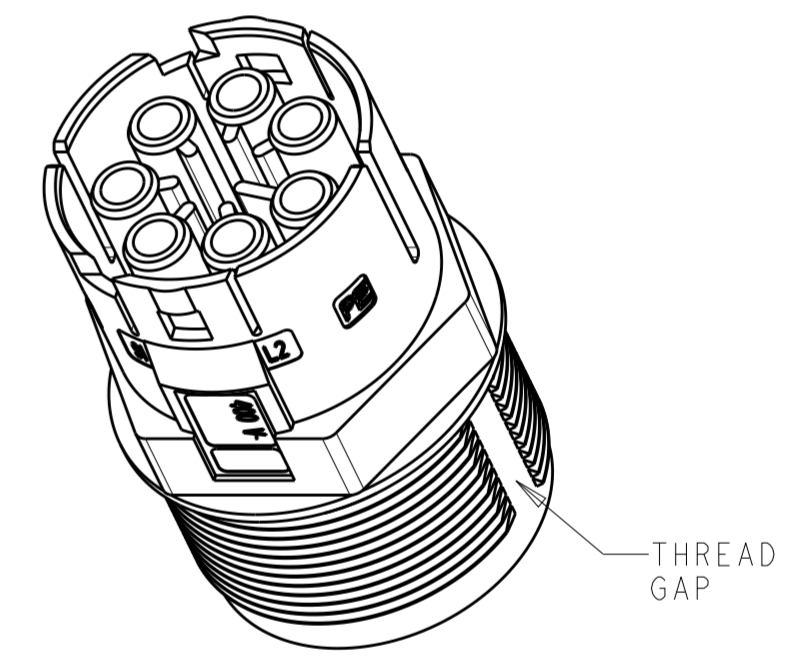
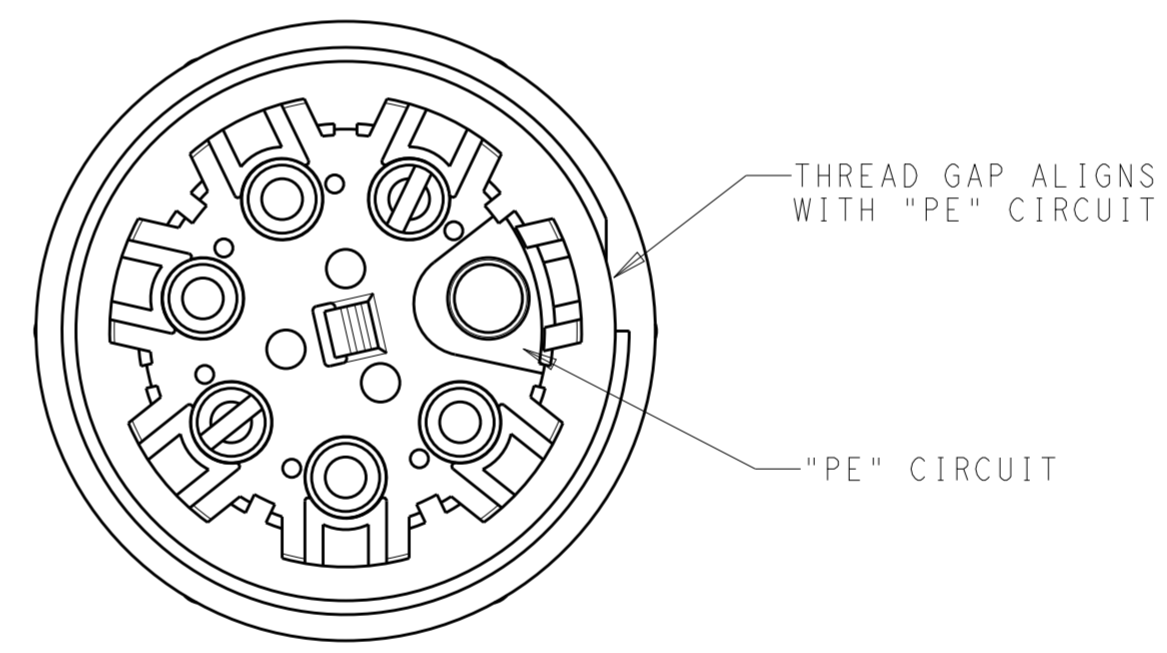
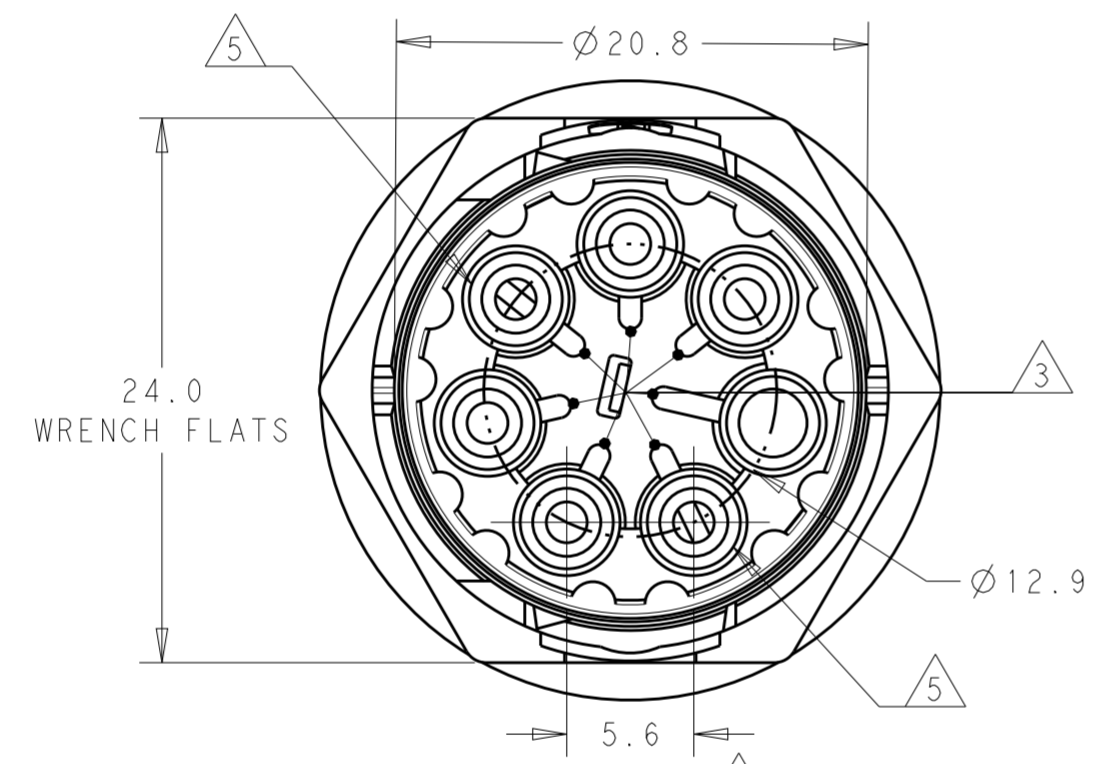
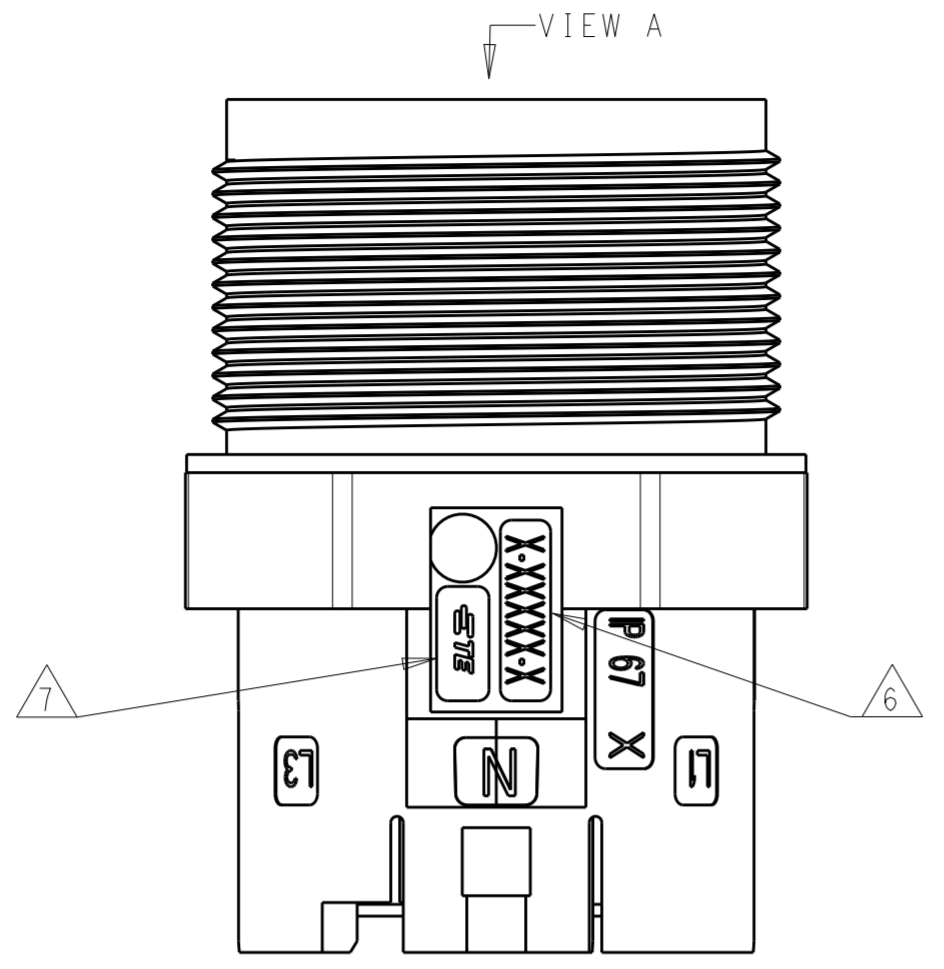


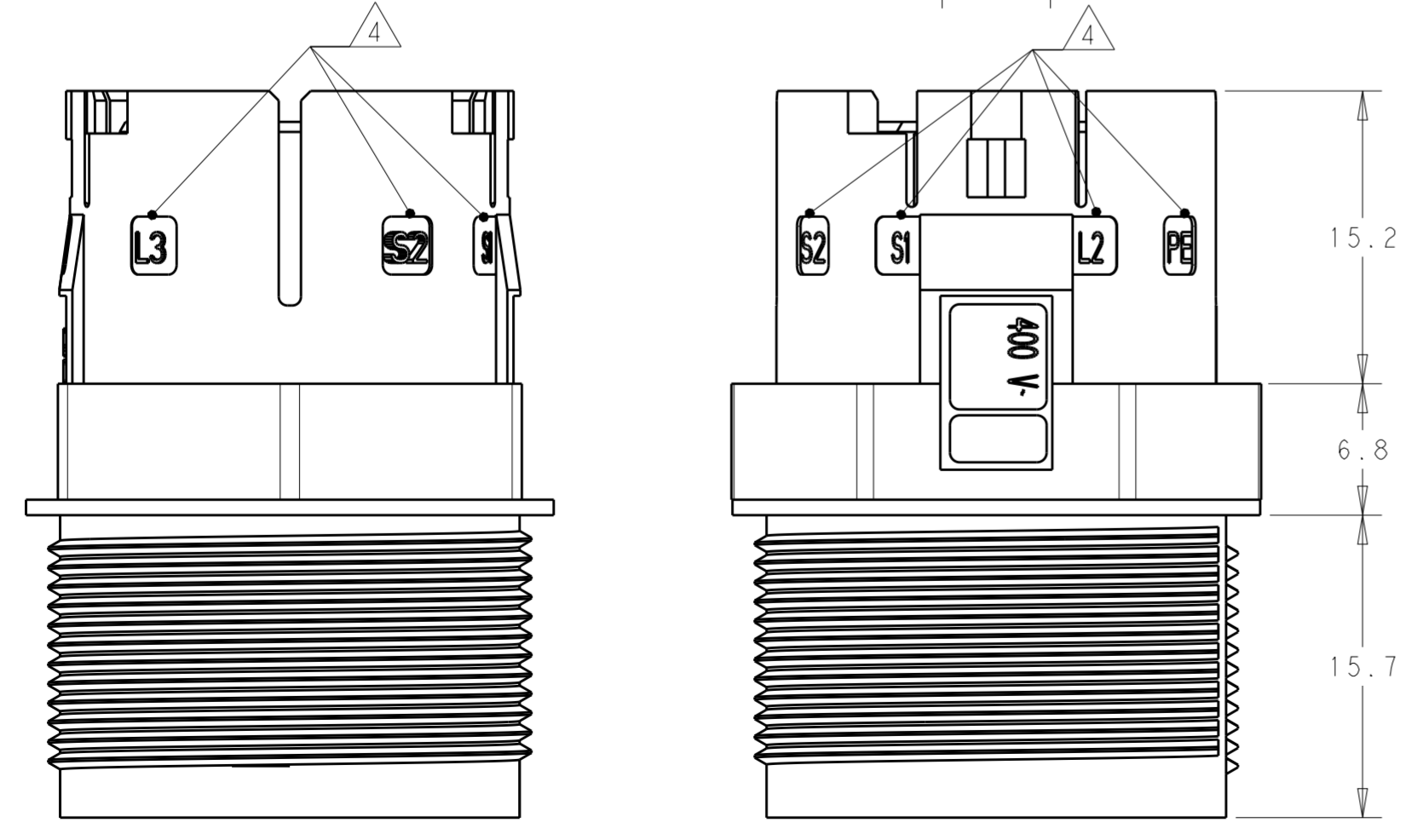
THIS DRAWING IS UNPUBLISHED. RELEASED FOR PUBLICATION 20  
 © COPYRIGHT 20 BY - ALL RIGHTS RESERVED.

REVISIONS				
P	LTR	DESCRIPTION	DATE	APVD
A		REVISED AS PER ECR-15-005925	21APR2015	RS JL
B		REVISED AS PER ECR-16-000859	08MAR2016	RS JL
B1		ECR-18-006945	02JUL2018	SR MZ



NOTES:

1. MATERIAL: GLASS FILLED PBT, COLOR: BLACK
2. MUST COMPLY WITH DIRECTIVE 2002/95/EC (ROHS)
3. ALL POLARIZATION KEYS SHOWN FOR REF ONLY.
4. CIRCUIT I.D.
5. CIRCUITS "L2" AND "L3" ARE BLOCKED TO PREVENT CONTACT INSTALLATION.
6. TE PART NUMBER
7. TE LOGO
8. THIS PRODUCT HAS NOT COMPLETED VALIDATION TESTING.



VIEW A SCALE 3:1

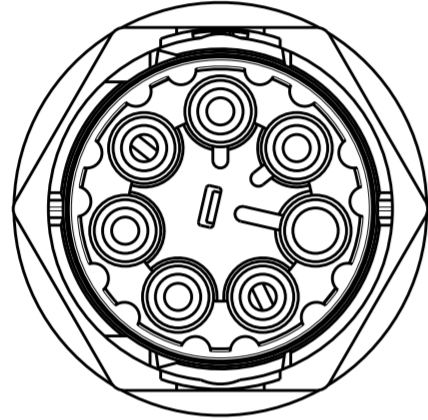
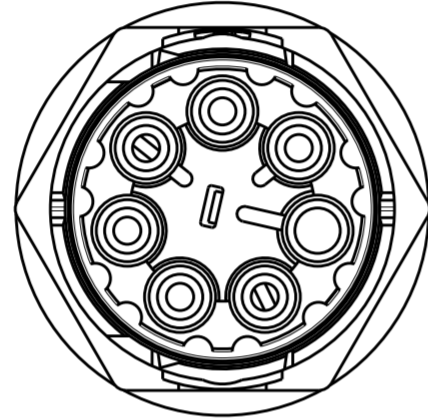
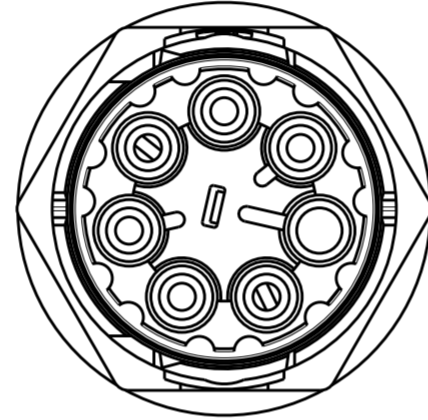
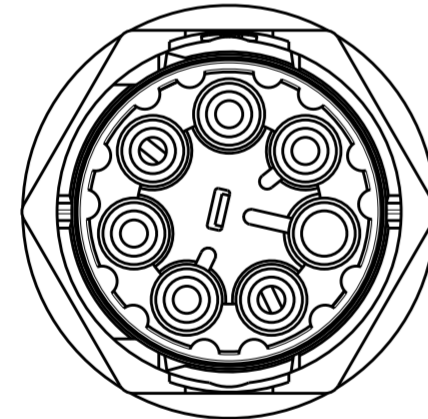
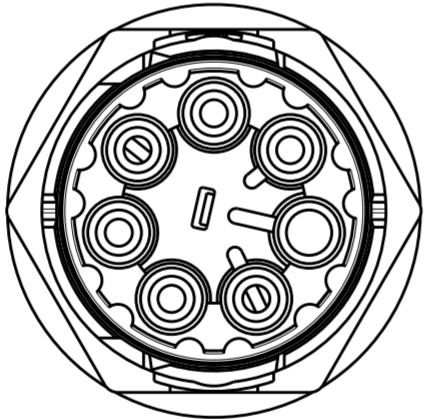
OBSOLETE	E	FREE HANGING SKT. SEALED NECTOR M, 5 POSN	2213230-5
	D	FREE HANGING SKT. SEALED NECTOR M, 5 POSN	2213230-4
	C	FREE HANGING SKT. SEALED NECTOR M, 5 POSN	2213230-3
	B	FREE HANGING SKT. SEALED NECTOR M, 5 POSN	2213230-2
	A	FREE HANGING SKT. SEALED NECTOR M, 5 POSN	2213230-1
	POLARIZATION TYPE	DESCRIPTION	PART NUMBER


THIS DRAWING IS A CONTROLLED DOCUMENT.		DWN J. SHAFFER 11NOV2013	TE Connectivity	
DIMENSIONS: mm		CHK M. LUKSIC 11NOV2013		
TOLERANCES UNLESS OTHERWISE SPECIFIED:		APVD M. LUKSIC 11NOV2013	NAME	
0 PLC	±	PRODUCT SPEC	FREE HANGING, SOCKET: SEALED NECTOR M, 5 POSN	
1 PLC	±0.2	108-133014	-	
2 PLC	±0.13	APPLICATION SPEC	SIZE	CAGE CODE
3 PLC	±	114-32111	A2	-
4 PLC	±	WEIGHT	DRAWING NO	RESTRICTED TO
ANGLES	±	-	G-2213230	-
FINISH	-	Customer Drawing	SCALE 1:1	SHEET 1 OF 2
NOTE 1	-			REV B1

THIS DRAWING IS UNPUBLISHED. RELEASED FOR PUBLICATION 20  
 © COPYRIGHT 20 BY - ALL RIGHTS RESERVED.

REVISIONS				
P	LTR	DESCRIPTION	DATE	APVD
-		SEE SHEET 1	-	-

### POLARIZATION TYPES

POLARIZATION TYPE "A"	POLARIZATION TYPE "B"	POLARIZATION TYPE "C"
		
PN: 2213230-1	<del>PN: 2213230-2</del>	<del>PN: 2213230-3</del>
POLARIZATION TYPE "D"	POLARIZATION TYPE "E"	
		
<del>PN: 2213230-4</del>	<del>PN: 2213230-5</del>	

THIS DRAWING IS A CONTROLLED DOCUMENT.		DWN J. SHAFFER 11NOV2013	 TE Connectivity	
DIMENSIONS: mm		CHK M. LUKSIC 11NOV2013		
TOLERANCES UNLESS OTHERWISE SPECIFIED:		APVD M. LUKSIC 11NOV2013	NAME FREE HANGING, SOCKET: SEALED NECTOR M, 5 POSN	
0 PLC ±		PRODUCT SPEC 108-133014	RESTRICTED TO	
1 PLC ±0.2		APPLICATION SPEC 114-32111	SIZE A2	CAGE CODE -
2 PLC ±0.13		WEIGHT -	DRAWING NO C-2213230	SCALE 1:1
3 PLC ±		Customer Drawing	SHEET 2	OF 2
4 PLC ±			REV B1	
ANGLES ±				
FINISH -				
NOTE 1				

单击下面可查看定价，库存，交付和生命周期等信息

[>>TE Connectivity\(泰科\)](#)