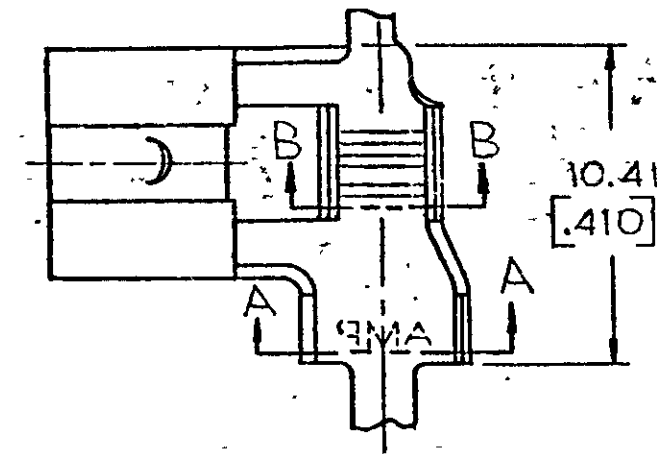
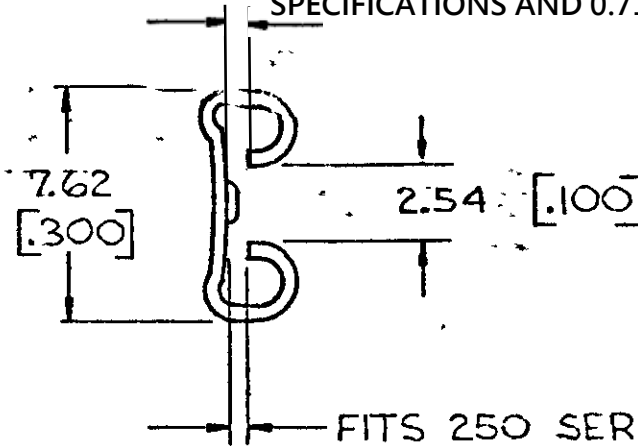


© COPYRIGHT 1980 BY AMP INCORPORATED, HARRISBURG, PA.  
 ALL INTERNATIONAL RIGHTS RESERVED. AMP INCORPORATED PRODUCTS  
 COVERED BY U. S. AND FOREIGN PATENTS AND/OR UNPUBLISHED PRODUCTS.

UNPUBLISHED COPY NOT TO BE  
 REPRODUCED NOR PUBLISHED  
 WITHOUT WRITTEN PERMISSION  
 OF AMP INCORPORATED.

		REVISIONS				
NO.	DATE	ZONE	LTR	DESCRIPTION	DATE	APPROVED
1			J	REVISED PER ECR-12-013459	10DEC12	PD
2			J1	REVISED PER ECR-20-009164	14AUG2020	DH

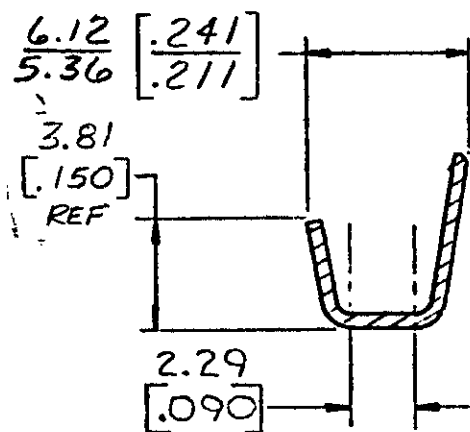
GAP AS REQUIRED TO MEET FORCE SPECIFICATIONS AND 0.71 [.028] MAX



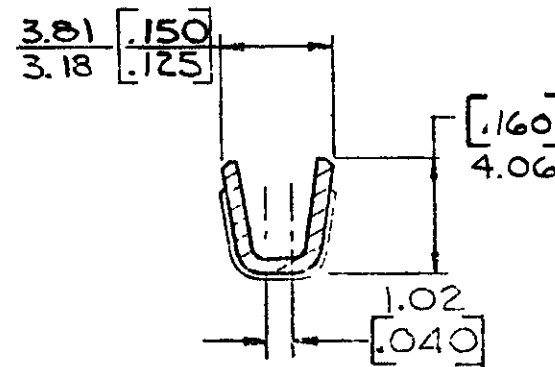
FITS 250 SERIES FASTON TAB. REFER TO CP-14251 FOR TAB DETAILS.

1. ALL DIMENSIONS IN BRACKETS ARE IN INCHES
2. MATING TAB THK. IS 0.84-0.76 [0.033-0.030]

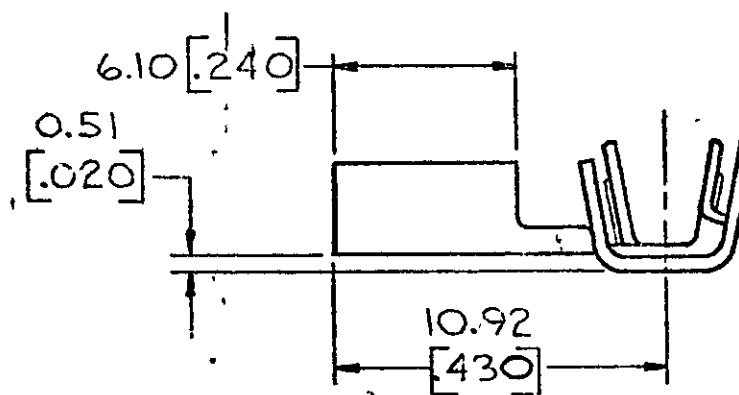
CONTINUOUS STRIP ON REELS



SECTION A-A



SECTION B-B



INSUL RANGE	WIRE RANGE	FINISH	MATERIAL	PART NO
.110-.160	18-14	TIN	BRASS	62811-2
.110-.160	18-14	NONE	BRASS	62811-1

UNLESS OTHERWISE SPECIFIED DIMENSIONS ARE IN INCHES. TOLERANCES ON DECIMALS: ±0.38 [.015] ANGLES: ±	CONTRACT NO		<b>TE</b> TE Connectivity	
	4-7-80			
	CHK		NAME 250 SERIES PREMIER FLAG FASTON RECEPTACLE	
	G. Yetter 4-7-80			
MATERIAL		APPD		
SEE TABLE		G. B. Brown 4-7-80		
FINISH		APPD		
SEE TABLE		K. K. K. 4-1-80		
		DSGN APPD	SIZE	CODE IDENT NO
			B	00779
		OTHER APPD	DRAWING NO	62811
			SCALE	SHEET
			4-1	

单击下面可查看定价，库存，交付和生命周期等信息

[>>TE Connectivity\(泰科\)](#)