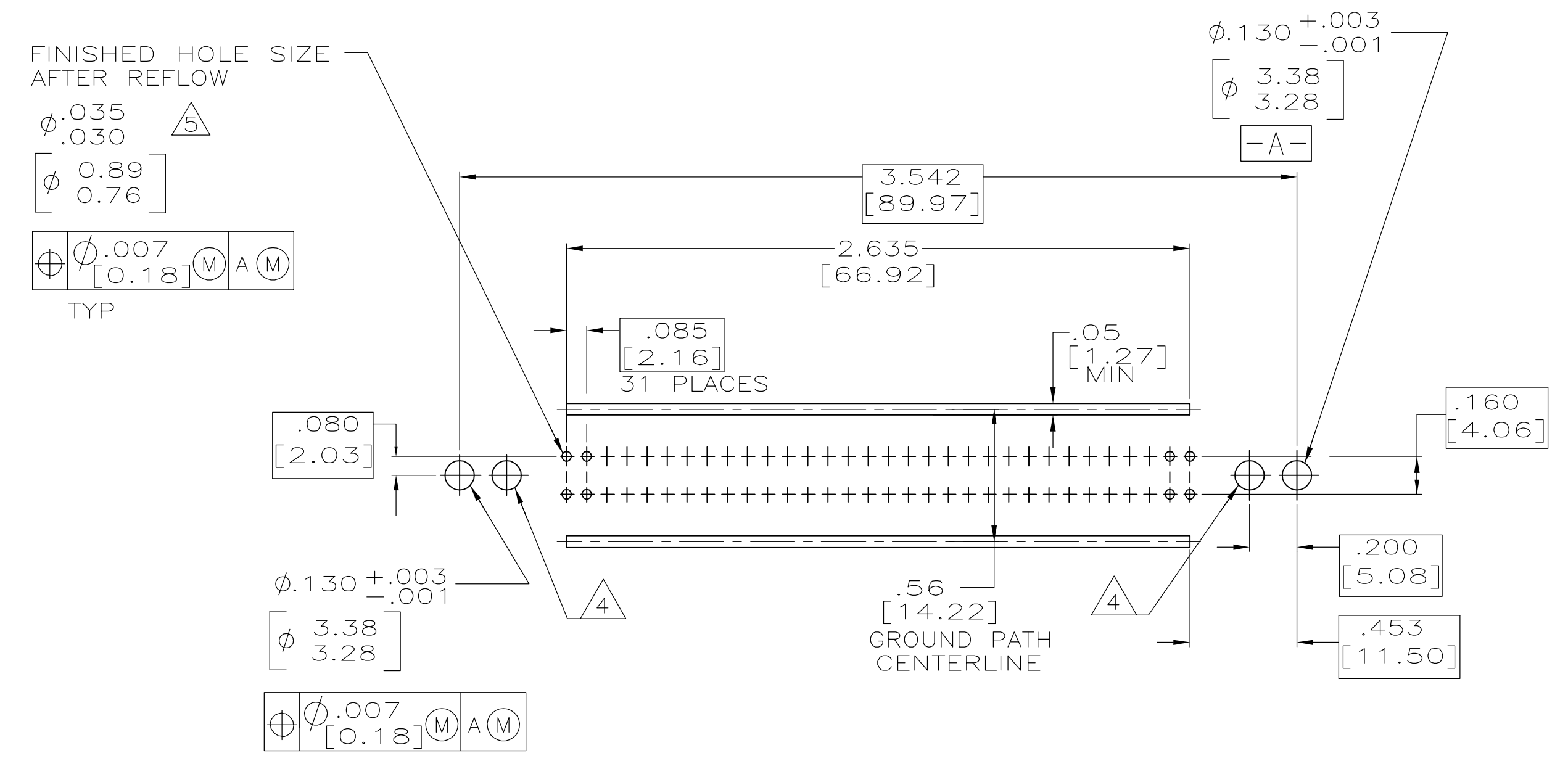
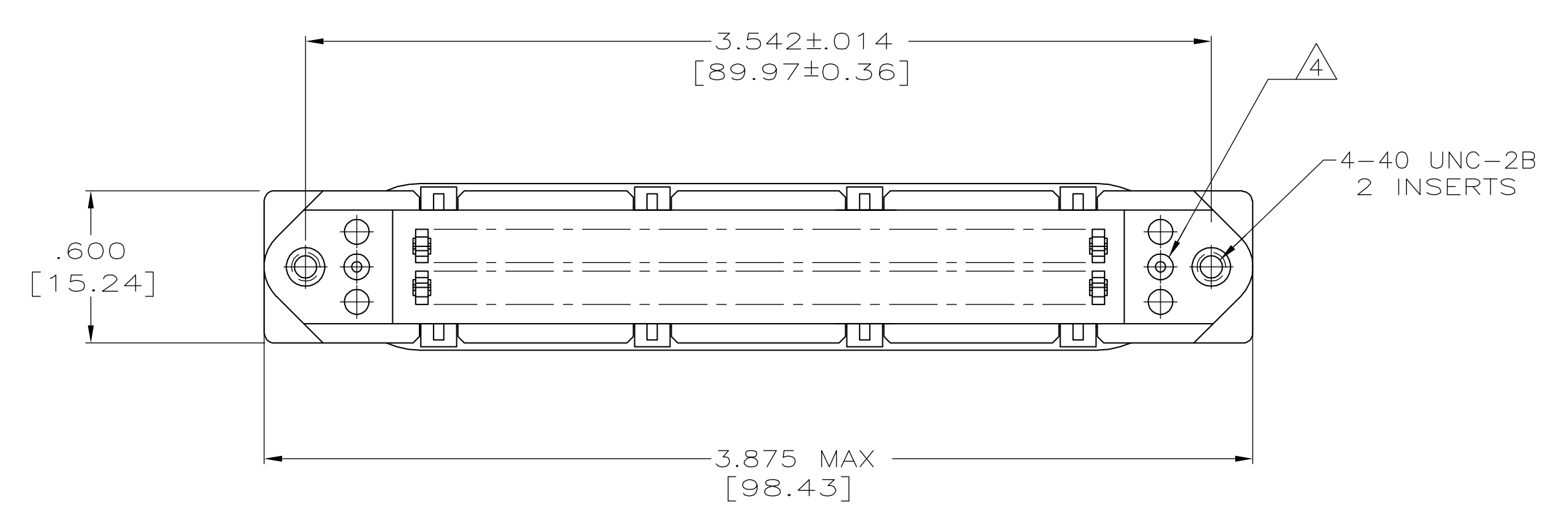
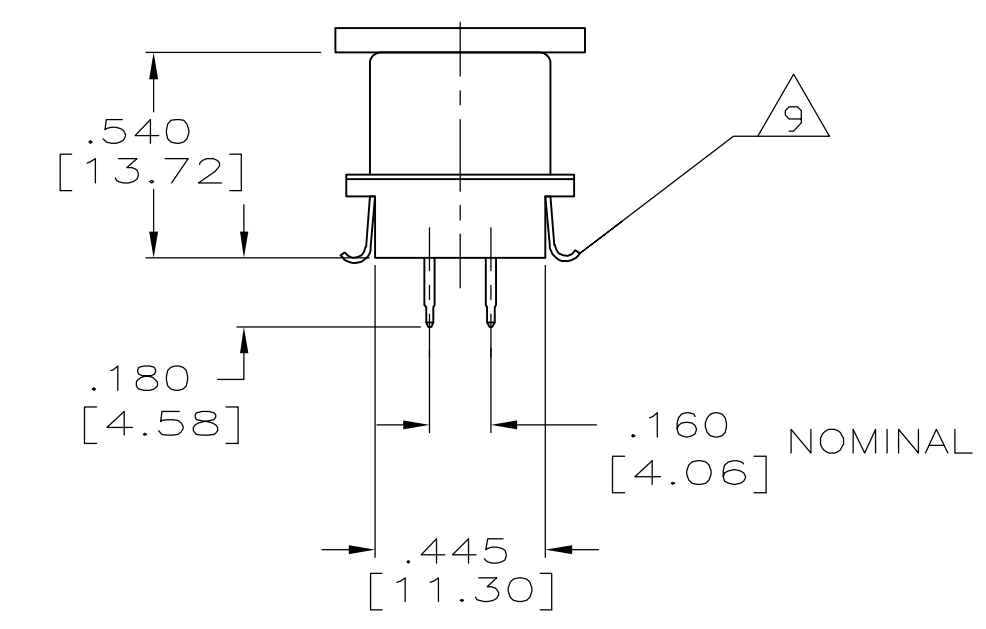
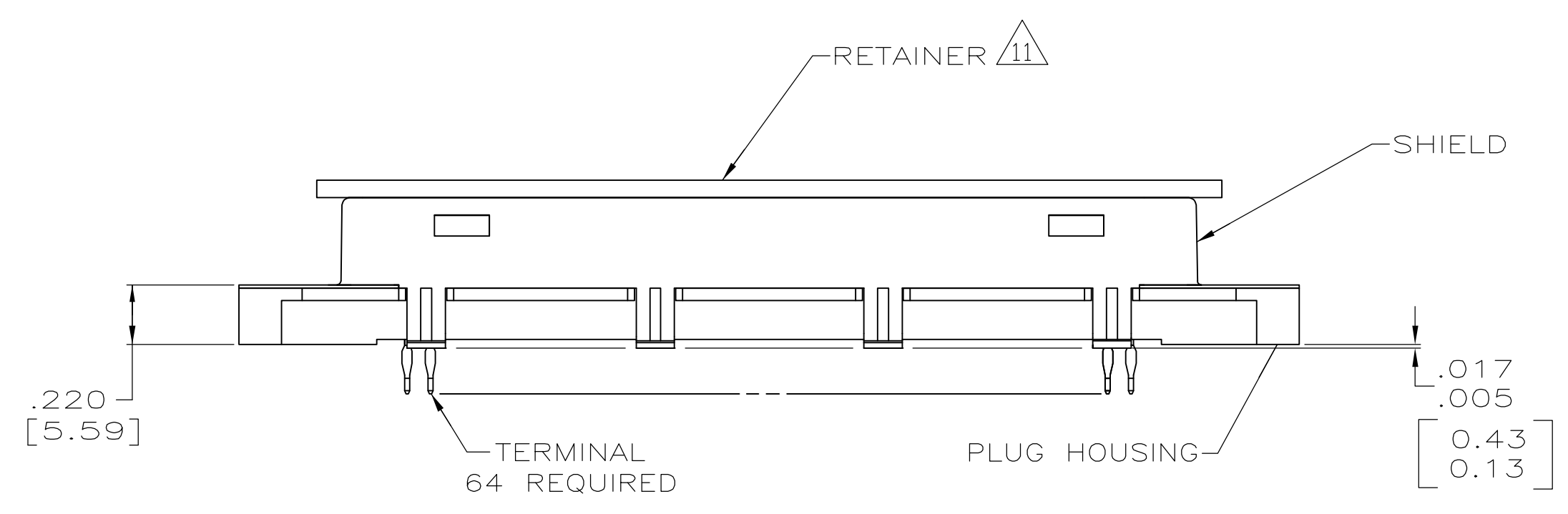
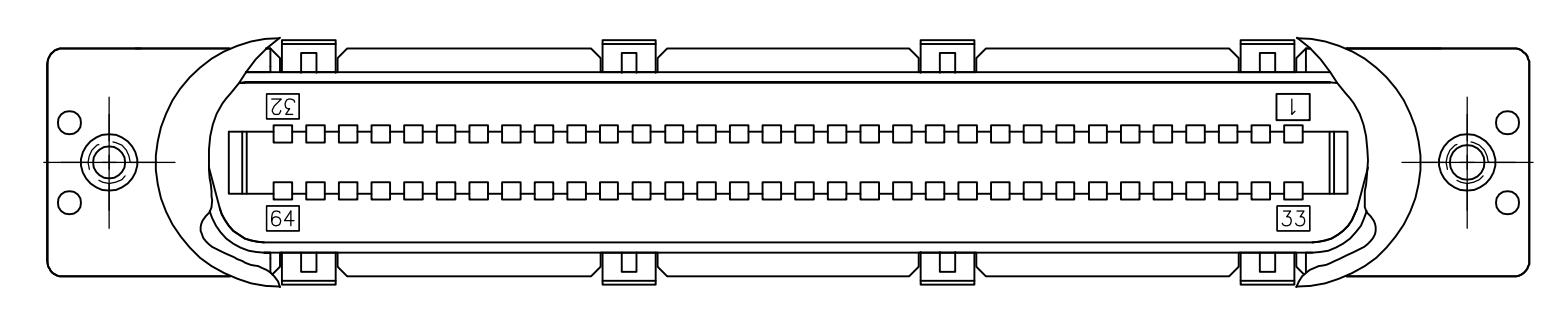


LOC		DIST		REVISIONS			
P	LTR	DESCRIPTION	DATE	DRN	APVD		
0		RELEASED PER EC OS13-0288-05	16AUG05	BM	WM		



PRINTED CIRCUIT BOARD MOUNTING DIMENSIONS

- 1 ALL DIMENSIONS SHOWN ARE MAXIMUM UNLESS OTHERWISE SPECIFIED.
- 2 MATERIAL: HOUSING - POLYPHENYLENE OXIDE, BLACK. SHIELD - CARBON STEEL PLATED WITH .000200 [5.08µm] MINIMUM NICKEL. TERMINALS - PHOSPHOR BRONZE PLATED WITH .000030 [0.76µm] MINIMUM GOLD PLATE IN LOCALIZED PLATE AREA OVER .000050 [1.27µm] MINIMUM ELECTROLESS NICKEL. RETAINER - POLYETHYLENE, NATURAL. INSERTS - BRASS, PLATED WITH .000100[2.54µm] MINIMUM BRIGHT ZINC. 5556622-2 PLATED WITH TIN .000100-.000180[2.54µm-4.57µm] THICK ON ACTION PIN AREA.
- 3 THE CONTACT SURFACES OF THE TERMINALS ARE COATED WITH LUBRICANT.
- 4 OPTIONAL MOUNTING HOLE FOR SELF-TAPPING SCREW.
- 5 ALL PLATED-THRU HOLES SHALL BE PER AMP SPEC 115-6072.
- 6 FOR NON-PANEL MOUNT APPLICATIONS USE BAIL LOCK HARDWARE KIT NO. 556614-1.
- 7 CENTER-TO-CENTER SPACING OF TERMINALS IS .085 NOMINAL.
- 8 DIMENSIONS IN [] ARE MILLIMETERS.
- 9 GROUND TABS (8) PLACES.
- 10 50 LBS MINIMUM FORCE REQUIRED TO UNSEAT CONNECTOR FROM PRINTED CIRCUIT BOARD WITHOUT USE OF HARDWARE.
- 11 RETAINER MUST REMAIN INSTALLED UNTIL AFTER CONNECTOR HAS BEEN INSERTED INTO PCB HOLES.

Sn	5556622-2
Au	5556622-1
PIN PLATING	PART NUMBER

THIS DRAWING IS A CONTROLLED DOCUMENT.		DWN S2	MCMMASTER	16AUG05	tyco Electronics	Tyco Electronics Corporation Harrisburg, Pa 17105-3608			
DIMENSIONS: INCHES(mm)		CHK W	MILLHIMES	16AUG05		NAME	RECEPTACLE ASSEMBLY, 64 POSITION, SHIELDED, ACTION PIN, WITH 4-40 HOLES		
TOLERANCES UNLESS OTHERWISE SPECIFIED:		APRD M	WALMSLEY	16AUG05	PRODUCT SPEC	SIZE	CAGE CODE	DRAWING NO	RESTRICTED TO
0 PLC ± -				APPLICATION SPEC		WEIGHT	A1 00779		5556622
1 PLC ± -						CUSTOMER DRAWING		SCALE	2:1
2 PLC ± -								SHEET	1 OF 1
3 PLC ± -								REV	0
4 PLC ± -									
ANGLES ± -									
FINISH ± -									

单击下面可查看定价，库存，交付和生命周期等信息

[>>TE Connectivity\(泰科\)](#)