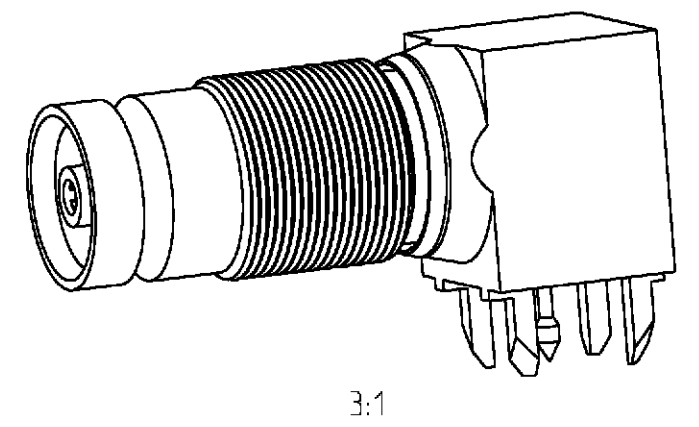
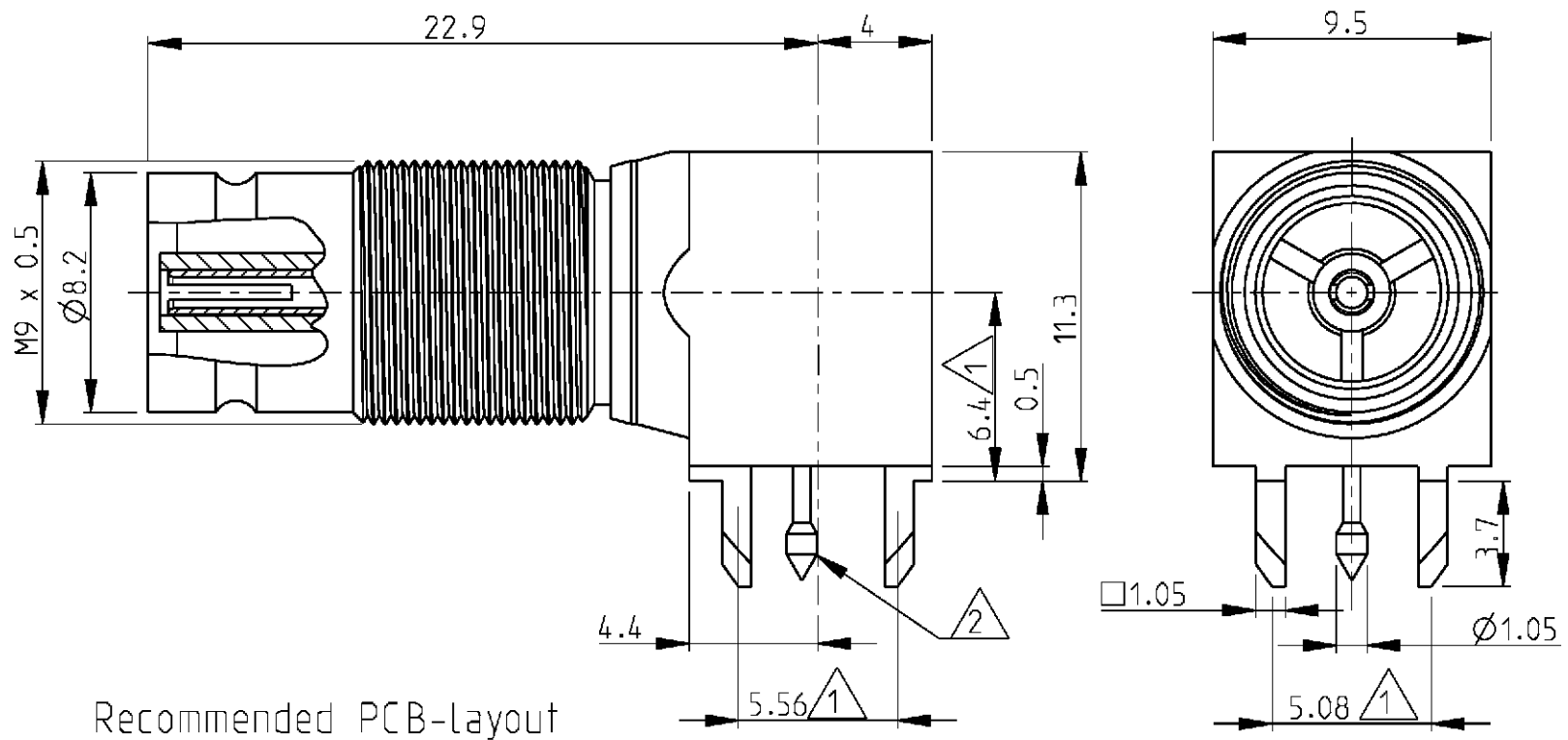
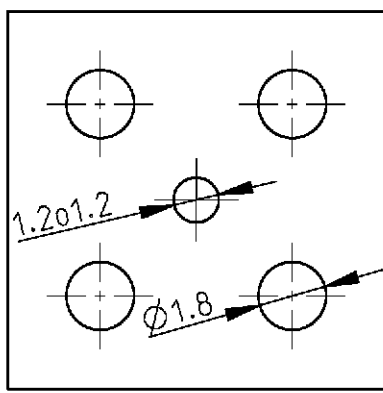


THIS DRAWING IS UNPUBLISHED. RELEASED FOR PUBLICATION 2000
 © COPYRIGHT 2000 BY TYCO ELECTRONICS CORPORATION. ALL RIGHTS RESERVED.

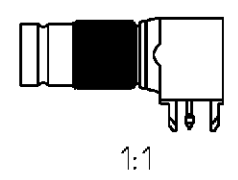
LOC	DIST	REVISIONS				
P	LTR	DESCRIPTION	DATE	DWN	APVD	
GW	-					
	A	-	05APR2001	BL	KM	



Recommended PCB-layout pitch 2.54.



- 5) All dimensions are maximum dimensions unless otherwise specified.
- 4) Mating face according to DIN 47295/CECC 22240.
- 3) Mounting hole of front panel : max $\phi 11.2$ if 1393679-3 is used.
- 2 Center conductor : excentric snap on PCB.
- 1 Nominal dimensions.



Cross reference table

Old part number	Tyco part number	Description	Material	Plating
V23612-A1227-A4	2-1393681-3	Outer conductor	Brass	1 μ m Au min in contact area
		Center conductor	CuBe	1 μ m Au min in contact area
		Dielectric	PEEK+PTFE	-

<small>THIS DRAWING IS A CONTROLLED DOCUMENT FOR TYCO ELECTRONICS CORPORATION. IT IS SUBJECT TO CHANGE AND THE CONTROLLING ENGINEERING ORGANIZATION SHOULD BE CONTACTED FOR THE LATEST REVISION.</small>		DWN B. Lenvain 08MAR2001 CHK K. Mattheeuws 05APR2001 APVD R. Leeman 05APR2001		tyco Electronics Tyco Electronics Oostkamp - Belgium	
DIMENSIONS: mm 		TOLERANCES UNLESS OTHERWISE SPECIFIED: 0 PLC \pm 1 PLC \pm 2 PLC \pm 3 PLC \pm 4 PLC \pm ANGLES \pm		NAME Right angle PCB jack 75 ohm 1.6/5.6	
MATERIAL -		FINISH -		PRODUCT SPEC - APPLICATION SPEC - WEIGHT -	
		SIZE A3 CAGE CODE 00779 DRAWING NO C-2-1393681-3		RESTRICTED TO -	
CUSTOMER DRAWING		SCALE 4:1		SHEET 1 OF 1 REV A	

单击下面可查看定价，库存，交付和生命周期等信息

[>>TE Connectivity\(泰科\)](#)