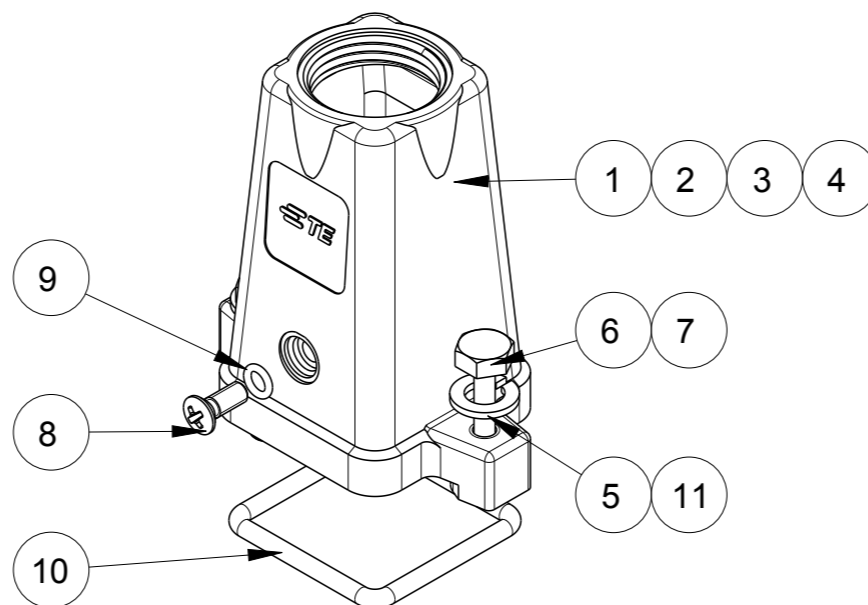
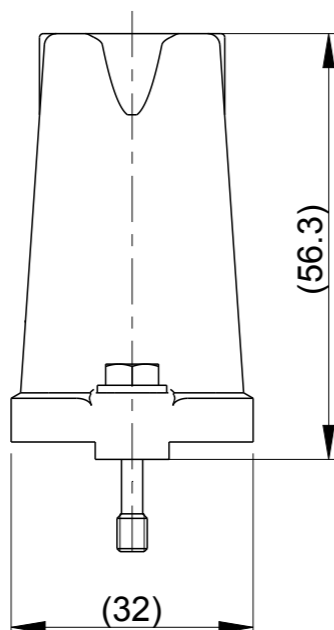
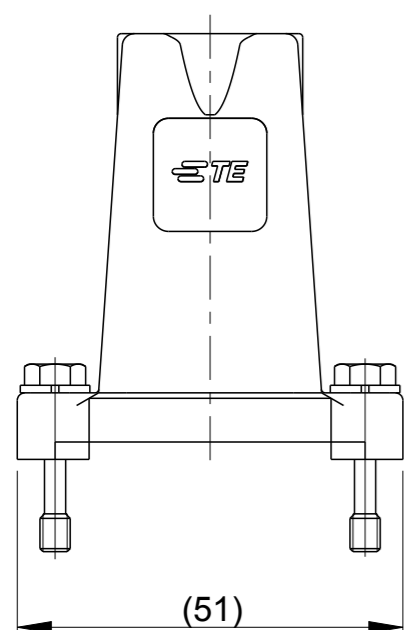


REVISIONS

P	LTR	DESCRIPTION	DATE	DWN	APVD
A13		ECR-10-009363	29APR2010	RO	BR
B		ECR-16-001855	29FEB2016	GCM	JB
C		ECR-16-014579	25APR2016	GCM	JB
C1		ECR-17-014011	16JAN2018	RSM	MKO

Notes

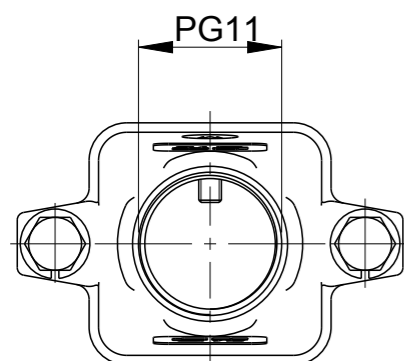
- 1 SUITABLE HOUSINGS: SERIES EMV, SIZE 1
CUSTOMER DRAWING 1102703, 1102702
- 2 STANDARDS: DIN EN 61984, DIN EN 60664-1
- 3 CHROMIT AL TCP PASSIVATION
- 4 TOOLS: PHILLIPS SCREWDRIVER PH1
HEXAGON SCREWDRIVER 7mm
- 5 VARNISH ON INSIDE AREA NOT NECESSARY
- 6 PACKAGING: 10 SETS IN A CARTON, PRE-MOUNTED



PN 0-3 AS SHOWN

PART NO.	ORDERING TEXT
0-1102700-5	EMV-K.3/4.STO.1.11.G
0-1102700-4	EMV.3/4.STO.1.11.G
0-1102700-1	EMV-K.3/4.STO.1.11.G
4-1102700-5	EMV.3/4.STO.1.11.G
3-1102700-5	EMV-K.3/4.STO.1.11.G


OBSOLETE



2	2	2	-	-	WASHER, PLAIN	STAINL. STEEL	BLANK	A4, DIN EN ISO 7989, 200HV (V4A)	11
-	-	-	-	-	O-RING	FKM	BLACK	28x2.5 din 3771	10
1	1	1	1	1	O - RING	NBR	BLACK	3.0x1.0	9
1	1	1	1	1	SCREW COUNTERSUNK RAISED HEAD	STAINL. STEEL	V2A	M3x8 PH1 DIN EN ISO 7047	8
2	2	2	-	-	SCREW, HEXAGON BOLT	STAINL. STEEL	BLANK	M4x22 DIN EN ISO 7964, RED. SHUNK (V4A)	7
-	-	-	2	2	SCREW, HEXAGON BOLT	STAINL. STEEL	BLANK	M4x22 DIN EN ISO 7964, REDUCED SHUNK	6
-	-	-	2	2	WASHER, PLAIN	STAINL. STEEL	BLANK	A4, DIN EN ISO 7989, 200HV	5
-	-	-	-	-	CONNECTOR HOUSING	ALU ALLOY	BLACK	3 SERIES EMV-K WE LOGO	4
-	-	1	-	-	CONNECTOR HOUSING	ALU ALLOY	SILVER	3 SERIES EMV-K	3
1	-	-	1	-	CONNECTOR HOUSING	ALU ALLOY	BLACK	3 SERIES EMV-K	2
-	1	-	-	1	CONNECTOR HOUSING	ALU ALLOY	GREY	SERIES EMV	1

PN/QTY	DESCRIPTION	MATERIAL	COLOR/SURFACE	NOTE	ITEM
--------	-------------	----------	---------------	------	------

PARTS LIST (PER ONE UNIT)

THIS DRAWING IS A CONTROLLED DOCUMENT.		DWN V.GLUMM 18AUG2009	 TE Connectivity	NAME CONNECTOR HOUSING ASS'Y, TOP ENTRY SERIES EMV, SIZE 1 STEEL CONDUIT THREAD										
DIMENSIONS: mm		CHK H.Braun 18AUG2009												
TOLERANCES UNLESS OTHERWISE SPECIFIED:		APVD T.Schnurpfeil 18AUG2009												
<table border="0"> <tr> <td>0 PLC</td> <td>±-</td> </tr> <tr> <td>1 PLC</td> <td>±-</td> </tr> <tr> <td>2 PLC</td> <td>±-</td> </tr> <tr> <td>3 PLC</td> <td>±-</td> </tr> <tr> <td>4 PLC</td> <td>±-</td> </tr> <tr> <td>ANGLES</td> <td>±1°</td> </tr> </table>		0 PLC			±-	1 PLC	±-	2 PLC	±-	3 PLC	±-	4 PLC	±-	ANGLES
0 PLC	±-													
1 PLC	±-													
2 PLC	±-													
3 PLC	±-													
4 PLC	±-													
ANGLES	±1°													
MATERIAL		APPLICATION SPEC 114-74017	SIZE A3	CAGE CODE 00779										
		WEIGHT	DRAWING NO C-1102700	RESTRICTED TO										
		CUSTOMER DRAWING	SCALE 1:1	SHEET 1 OF 1										
				REV C1										

单击下面可查看定价，库存，交付和生命周期等信息

[>>TE Connectivity\(泰科\)](#)