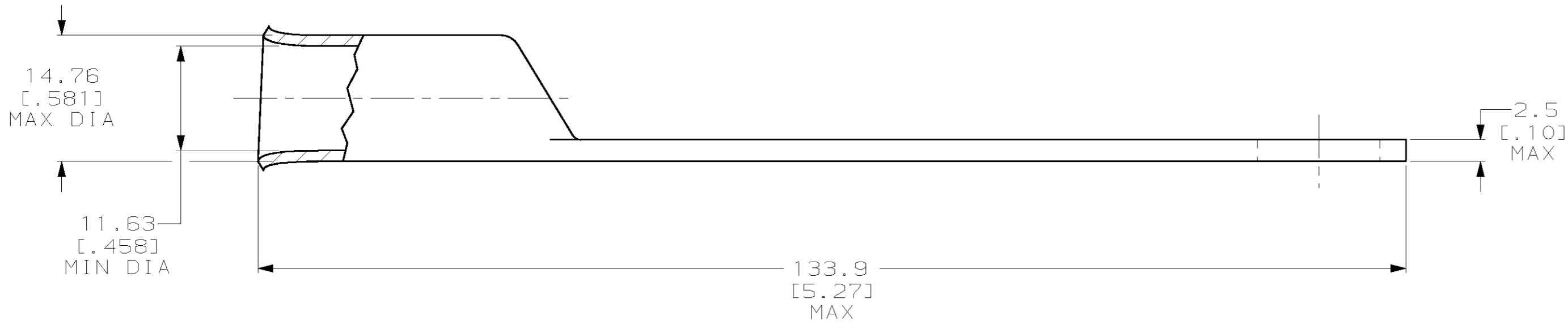
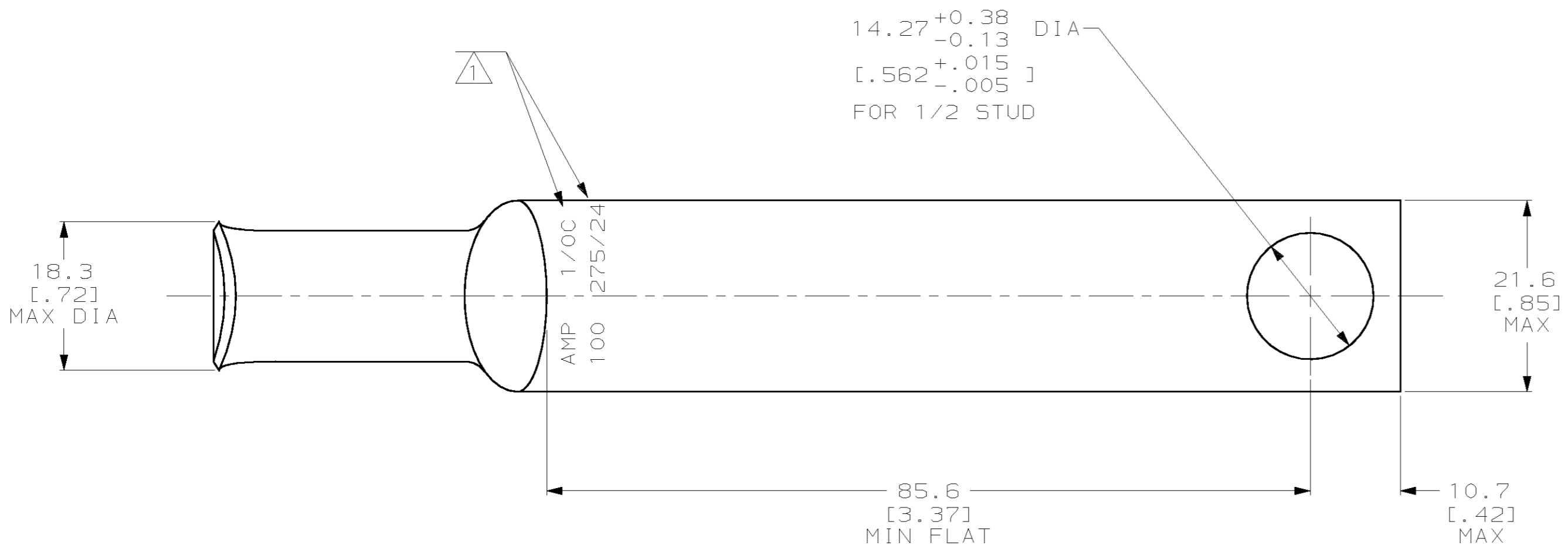


THIS DRAWING IS UNPUBLISHED. RELEASED FOR PUBLICATION
 BY AMP INCORPORATED. ALL RIGHTS RESERVED.

LOC	DIST	REVISIONS			
P	LTR	DESCRIPTION	DATE	DWN	APVD
G	86	REV PER 063A-0561-01	070CT02	JR	MS



184130-1
PART NUMBER

AMP INCORPORATED CUSTOMER SERVICE SYSTEMS		RECOMMENDED OPERATING TEMPERATURE: 170° MAX
FOR ADDITIONAL PRODUCT INFORMATION OR COPIES OF DRAWINGS AND TECHNICAL DOCUMENTS	PRODUCT INFORMATION CENTER 1-800-522-6752	VOLTAGE RATING: NOT APPLICABLE
FOR APPLICATION TOOLING INFORMATION	TOOLING ASSISTANCE CENTER 1-800-722-1111	WIRE CROSS SECTIONAL AREA RANGE: 42.4-60.5mm ² [83,700-119,500] CIR MILS SOLID OR STRANDED
FOR ORDER ENTRY	1-800-526-5142	

<small>THIS DRAWING IS A CONTROLLED DOCUMENT FOR AMP INCORPORATED. IT IS SUBJECT TO CHANGE AND THE CONTROLLING ENGINEERING ORGANIZATION SHOULD BE CONTACTED FOR THE LATEST REVISION.</small>		DWN DK SCHRUM 16MAR95	AMP Incorporated Harrisburg, PA 17105-3608
DIMENSIONS: mm [INCHES]		CHK AJ KAUFMAN 17MAR95	
		APVD JL MECKLEY 17MAR95	
TOLERANCES UNLESS OTHERWISE SPECIFIED: 0 PLC ±- 1 PLC ±- 2 PLC ±- 3 PLC ±- 4 PLC ±- ANGLES ±-		NAME - PRODUCT SPEC - APPLICATION SPEC -	
MATERIAL COPPER PER ASTM B-75 ANNEALED	FINISH TIN PLATE 0.00381 [0.00150] MIN THK PER MIL-T-10727	WEIGHT -	SIZE A2 CAGE CODE 00779 DRAWING NO C-184130 SCALE 2:1 SHEET 1 OF 1 REV A

单击下面可查看定价，库存，交付和生命周期等信息

[>>TE Connectivity\(泰科\)](#)