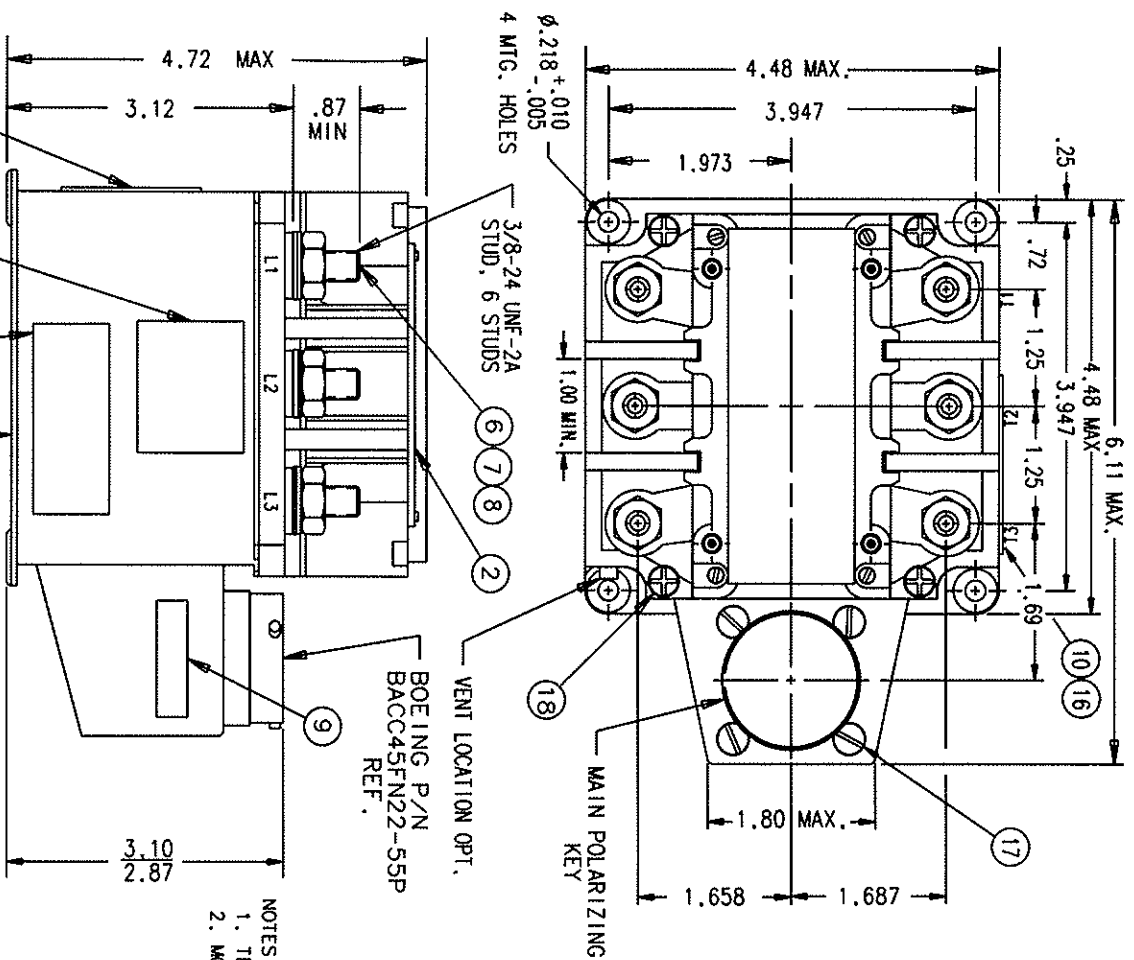


FAA-PMA



NOTES: (CONT)  
3. FAA/PMA PLATE (AND OVERLAY) NOT REQUIRED ON UNITS SUPPLIED TO ORIGINAL EQUIPMENT MANUFACTURERS.

NOTES:  
1. TERMINAL COVER, ITEM 2, REMOVED FROM TOP VIEW.  
2. MOUNTING SURFACE SHALL PROVIDE ELECTRICAL GROUND.

CONSTRUCTION  
MAIN CONTACTS  
CONFIGURATION  
VOLTAGE  
CURRENT  
RES.  
INTERUPT  
RES.  
AUXILIARY CONTACTS  
CONFIGURATION  
VOLTAGE  
CURRENT  
RES.  
COIL DATA  
DUTY CYCLE  
OPERATING VOLTAGE  
CLOSE MIN.  
MAX.  
TRIP  
MAX.  
RESISTANCE  
TRIP  
CLOSING  
TRIP  
ENVIRONMENTAL DATA  
OPERATING TEMP.  
VIBRATION  
ACCELERATION  
SHOCK  
ALTITUDE  
OPERATING TIME  
CLOSE  
TRIP  
LIFE ELECTRICAL  
LIFE MECHANICAL  
WEIGHT MAX.

GASKET SEALED (VENTED)

3 PST (DOUBLE BREAK) MAG. LATCHING  
115/200 VOLTS FREQ. 400 HZ  
275 AMP 115/200 VAC CONTINUOUS  
350 AMP 115/200 VAC 15 SEC  
5000 AMP

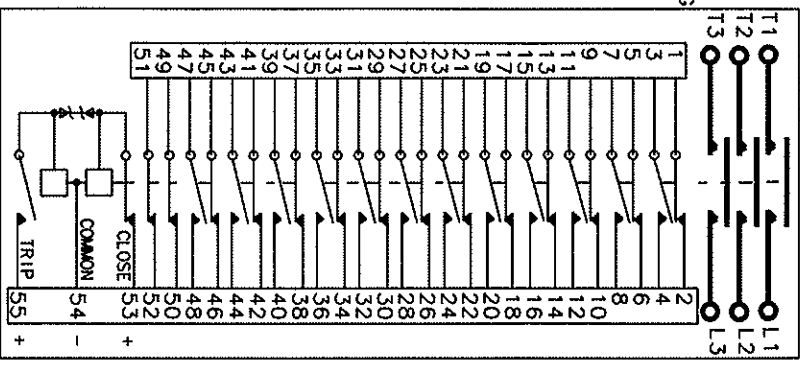
12 SPST N.O., 14 SPST N.C.  
115 VAC 400 HZ 28 VDC  
7.5 AMP

CONTINUOUS (SELF-DEENERGIZING)

15 VOLTS AT 85°C  
29 VOLTS  
15 VOLTS  
29 VOLTS  
3 OHMS MIN.  
5 OHMS MIN.

-54°C MIN., +71°C MAX.  
PER BOEING D6-13104, AREA 1, CAT. A  
MIL-E-5272 METHOD 4, 16.3  
MIL-E-5272 METHOD 4, 15.5  
45,000 FT.

15 MSEC MAX. AT 22VDC TO 29VDC  
20 MSEC MAX. AT 15VDC TO 29VDC  
50,000 CYCLES MIN.  
100,000 CYCLES MIN.  
4 LBS.



| FIND NO | QTY | RECD | PART OR IDENTIFYING NO | NONEXPLANATION OR DESCRIPTION | FSKD NO | DRAWING OR SPECIFICATION | MATERIAL OR NOTE |
|---------|-----|------|------------------------|-------------------------------|---------|--------------------------|------------------|
| 18      | AR  |      | 5A100-001              | SILASTIC - BLACK              |         |                          |                  |
| 17      | AR  |      | 5A102-001              | GLYPHOL                       |         |                          |                  |
| 16      | 1   |      | 39529-047              | OVERLAY                       |         |                          |                  |
| 15      | 1   |      | 39529-009              | OVERLAY                       |         |                          |                  |
| 14      | 1   |      | 39529-008              | OVERLAY                       |         |                          |                  |
| 13      | 1   |      | 39529-007              | OVERLAY                       |         |                          |                  |
| 12      | 1   |      |                        |                               |         |                          |                  |
| 11      |     |      |                        |                               |         |                          |                  |
| 10      |     |      |                        |                               |         |                          |                  |
| 9       |     |      |                        |                               |         |                          |                  |
| 8       |     |      |                        |                               |         |                          |                  |
| 7       |     |      |                        |                               |         |                          |                  |
| 6       |     |      |                        |                               |         |                          |                  |
| 5       |     |      |                        |                               |         |                          |                  |
| 4       |     |      |                        |                               |         |                          |                  |
| 3       |     |      |                        |                               |         |                          |                  |
| 2       |     |      |                        |                               |         |                          |                  |
| 1       |     |      |                        |                               |         |                          |                  |

| FIND NO | QTY | RECD | PART OR IDENTIFYING NO | NONEXPLANATION OR DESCRIPTION       | FSKD NO | DRAWING OR SPECIFICATION | MATERIAL OR NOTE |
|---------|-----|------|------------------------|-------------------------------------|---------|--------------------------|------------------|
| 10      | 1   |      | 58400-031              | PLATE-FAA/PMA                       |         |                          |                  |
| 9       | 1   |      | 25695-001              | WARNING-PLATE                       |         |                          |                  |
| 8       | 6   |      | 51807-230              | WASHER-LOCK, .375 X .687C, .094 SPT |         | MS35338-141              | STAINLESS STEEL  |
| 7       | 6   |      | 51704-010              | WASHER, .390 X .625 X .032 FL.      |         | AN960C616L               | STAINLESS STEEL  |
| 6       | 6   |      | 50407-370              | NUI, 3/8-24 X, .562 X, .328         |         | MS1972-3                 | STAINLESS STEEL  |
| 5       | 1   |      | 36805-010              | CONTACTOR ASSEMBLY-PRI.             |         |                          |                  |
| 4       | 1   |      | 36755-001              | PLATE-WIRING DIAGRAM                |         |                          |                  |
| 3       | 1   |      | 36754-001              | PLATE-NAME                          |         |                          |                  |
| 2       | 2   |      | 36456-010              | TERMINAL COVER                      |         |                          |                  |
| 1       | 1   |      | 36749-001              | PLATE CAUTION                       |         |                          |                  |

UNLESS OTHERWISE SPECIFIED DIMENSIONS ARE IN INCHES  
TOLERANCES IN  
2 PL DEC .15 PL DEC .1 ANGLE S  
: .06 : .010 : .1\*

REF BOEING  
60800010-25

HARTMAN ELECTRICAL MANUFACTURING  
MANSFIELD, OHIO

CONTACTOR-3PST MAGN. LATCH  
275 AMP, 115/200V, 400 HZ  
08C

SCALE NONE  
C 74063  
B-430Z  
SHEET

| REV | DESCRIPTION  | DATE     | APPROVED |
|-----|--|----------|----------|
| 3   | NOTE 3 ADDED   | 98/05/04 | RS       |
| 2   | BOEING* ADDED TO VIB SPEC & CONNECTOR P/N, .43 & .92 ADDED, 4.72 MAX WAS 4.87, 4.48 MAX WAS 4.45 | 99/05/11 | RS       |
| 1   |  | 00/02/18 | RS       |

单击下面可查看定价，库存，交付和生命周期等信息

[>>TE Connectivity\(泰科\)](#)