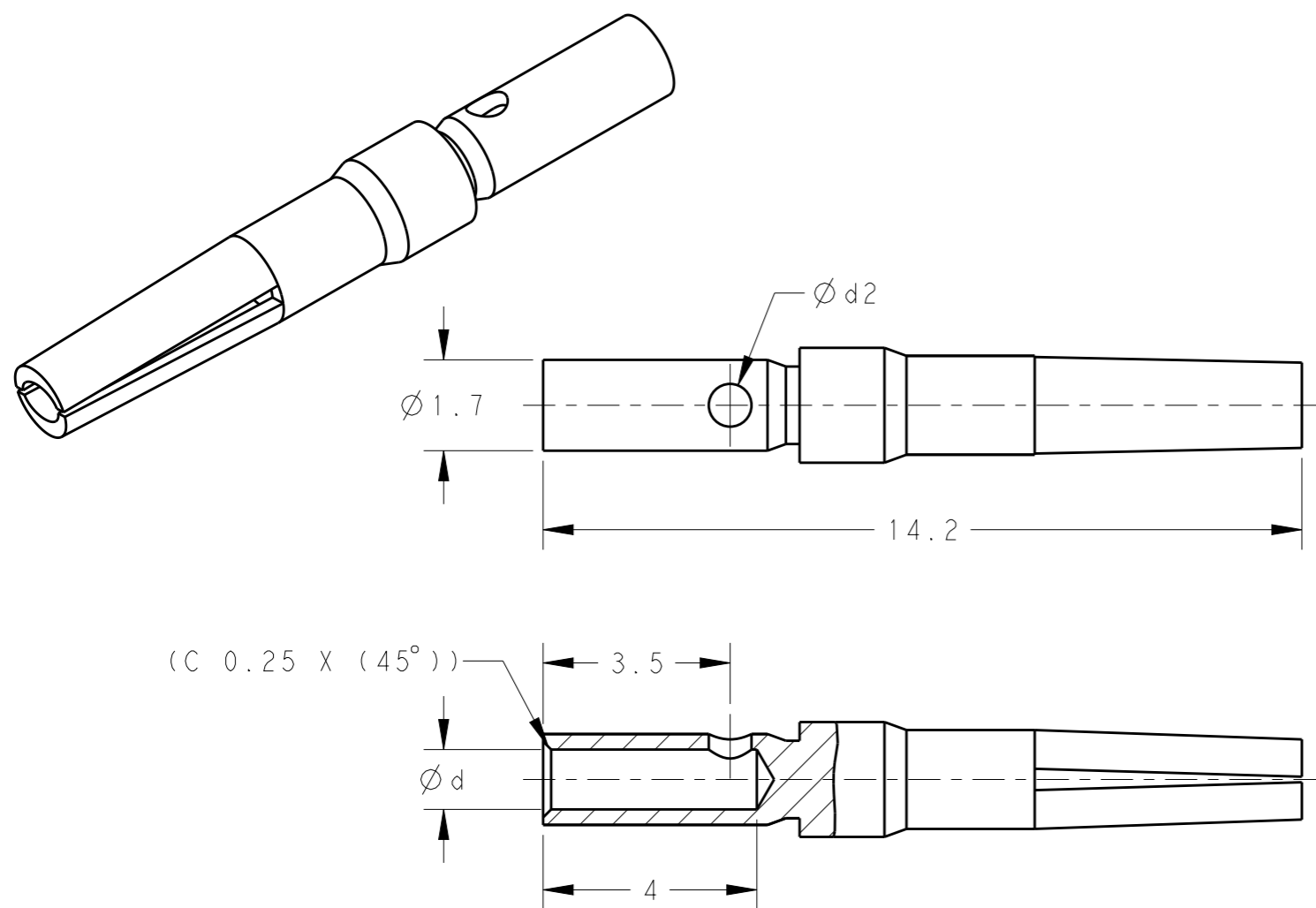


THIS DRAWING IS UNPUBLISHED. RELEASED FOR PUBLICATION 20
 © COPYRIGHT 20 BY - ALL RIGHTS RESERVED.

REVISIONS

| P | LTR | DESCRIPTION | DATE | DWN | APVD |
|---|-----|---------------|-----------|-----|------|
| | A | INITIAL | 15MAY2015 | DW | CW |
| | A1 | ECR-16-002757 | 24FEB2016 | RL | CW |
| | A2 | ECR-21-000654 | 26JAN2021 | BS | CW |



NOTES:
 1. TECHNICAL CHARACTERISTICS:
 CONTACT MATERIAL: BRASS
 SURFACE PLATING:
 SILVER PLATING: $\geq 2\mu m$
 GOLD PLATING: $\geq 0.75\mu m$
 WIRE RANGE: 0.08-0.52 mm² (28-20 AWG)
 OPERATION TEMPERATURE: -40-+125°C

注释:
 1. 技术参数:
 公针材料: 黄铜
 表面电镀:
 镀银: $\geq 2\mu m$
 镀金: $\geq 0.75\mu m$
 接线范围: 0.08-0.52 mm² (28-20 AWG)
 工作温度: -40-+125°C

| | PART NUMBER AFTER PLATING 电镀后料号 | | | | $\varnothing d$ | $\varnothing d2$ | WIRE GAUGE 线规 | | STRIPPING LENGTH 剥线长度 (mm) |
|----------------------|------------------------------------|-----------------|-----------------|-----------------|-----------------|------------------|------------------|-------|----------------------------------|
| | SILVER PLATING 镀银 | | GOLD PLATING 镀金 | | | | MM ² | AWG | |
| SOCKET CONTACT 母针 | CAF-08 | T2070002008-000 | DAF-08 | T2070012008-000 | 0.7 | 0.6 | 0.08-0.21 | 28-24 | 4.0 |
| | CAF-13 | T2070002013-000 | DAF-13 | T2070012013-000 | 0.9 | 0.8 | 0.13-0.33 | 26-22 | |
| | CAF-33 | T2070002033-000 | DAF-33 | T2070012033-000 | 1.12 | 0.8 | 0.33-0.52 | 22-20 | |

THIS DRAWING IS A CONTROLLED DOCUMENT.

| | |
|-------------------|--|
| DIMENSIONS: mm | TOLERANCES UNLESS OTHERWISE SPECIFIED: |
| | 0 PLC ±- |
| | 1 PLC ±- |
| | 2 PLC ±- |
| | 3 PLC ±- |
| | 4 PLC ±- |
| | ANGLES ±- |
| MATERIAL | FINISH |
| - | - |

| | |
|------------------|------------|
| DWN | 15MAY2015 |
| David Wang | |
| CHK | 15MAY2015 |
| Chris Wang | |
| APVD | 15MAY2015 |
| Xiang Xu | |
| PRODUCT SPEC | 108-137064 |
| APPLICATION SPEC | 114-137064 |
| WEIGHT | - |
| Customer Drawing | |



| | | | |
|---|-----------|------------------|---------------|
| NAME CAF/DAF D-SUB SOCKET CONTACT | | | |
| SIZE | CAGE CODE | DRAWING NO | RESTRICTED TO |
| A3 | 00779 | ©-T20700X20XX000 | - |
| SCALE 8:1 | | SHEET 1 OF 1 | REV A2 |

单击下面可查看定价，库存，交付和生命周期等信息

[>>TE Connectivity\(泰科\)](#)