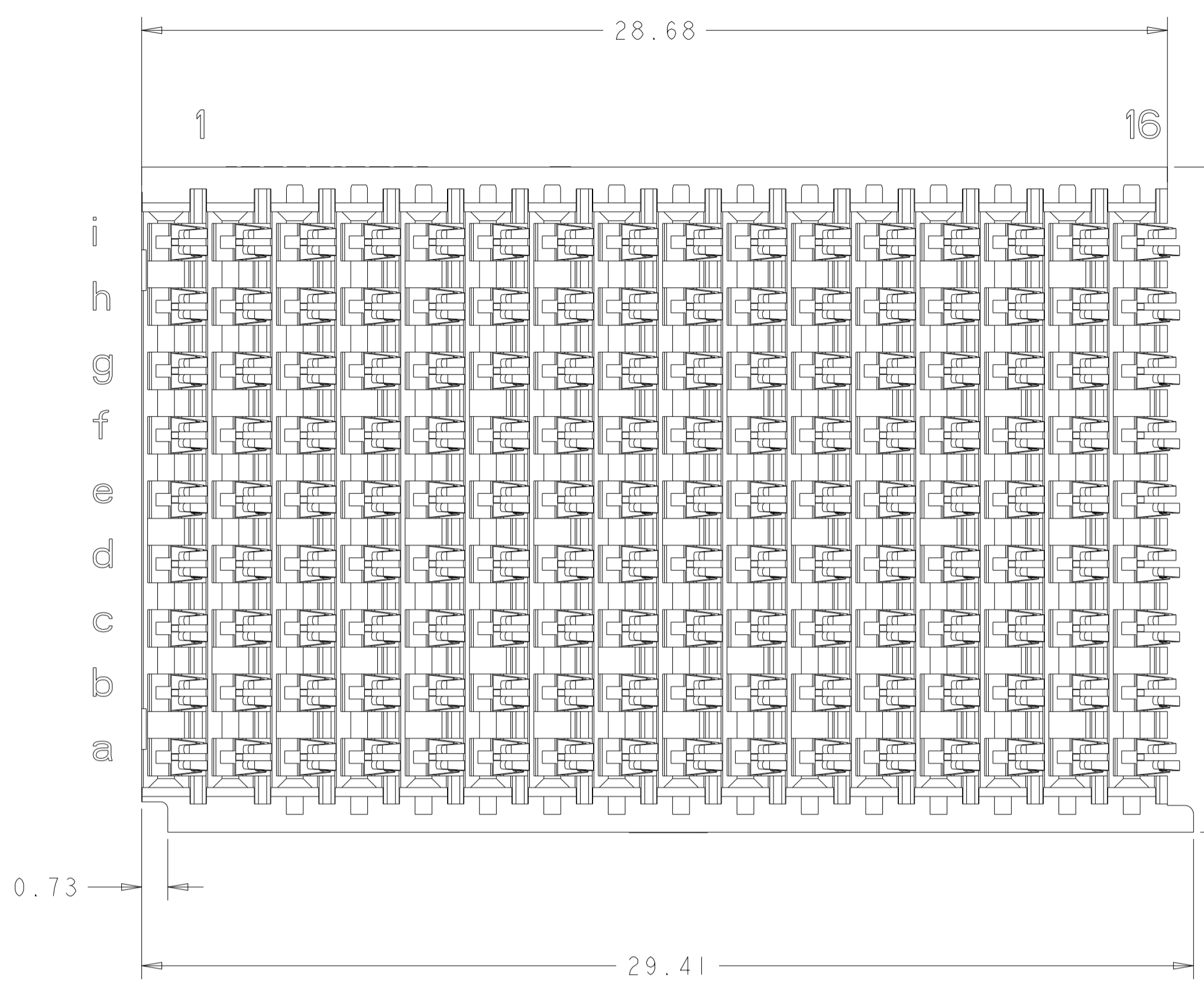
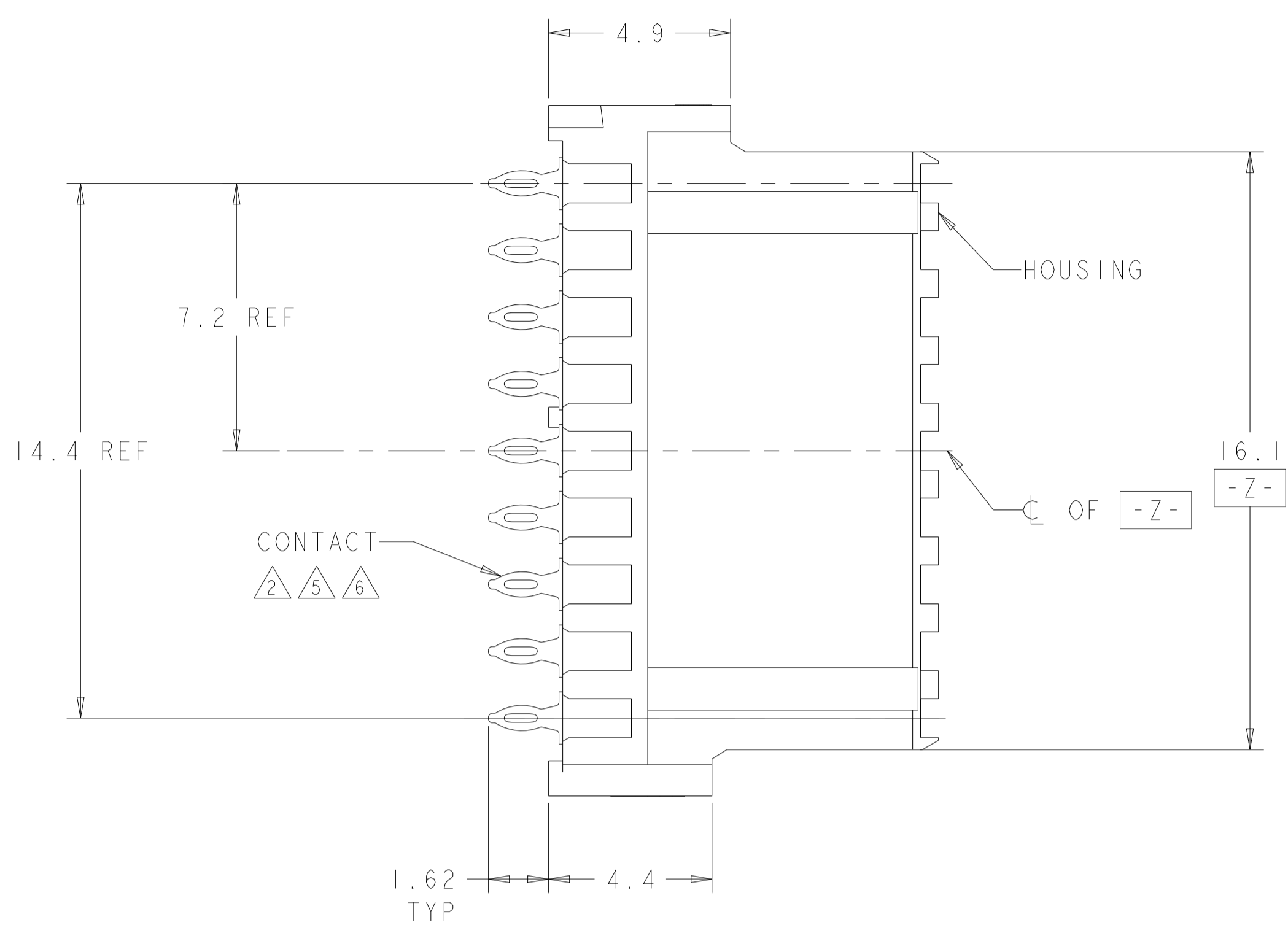
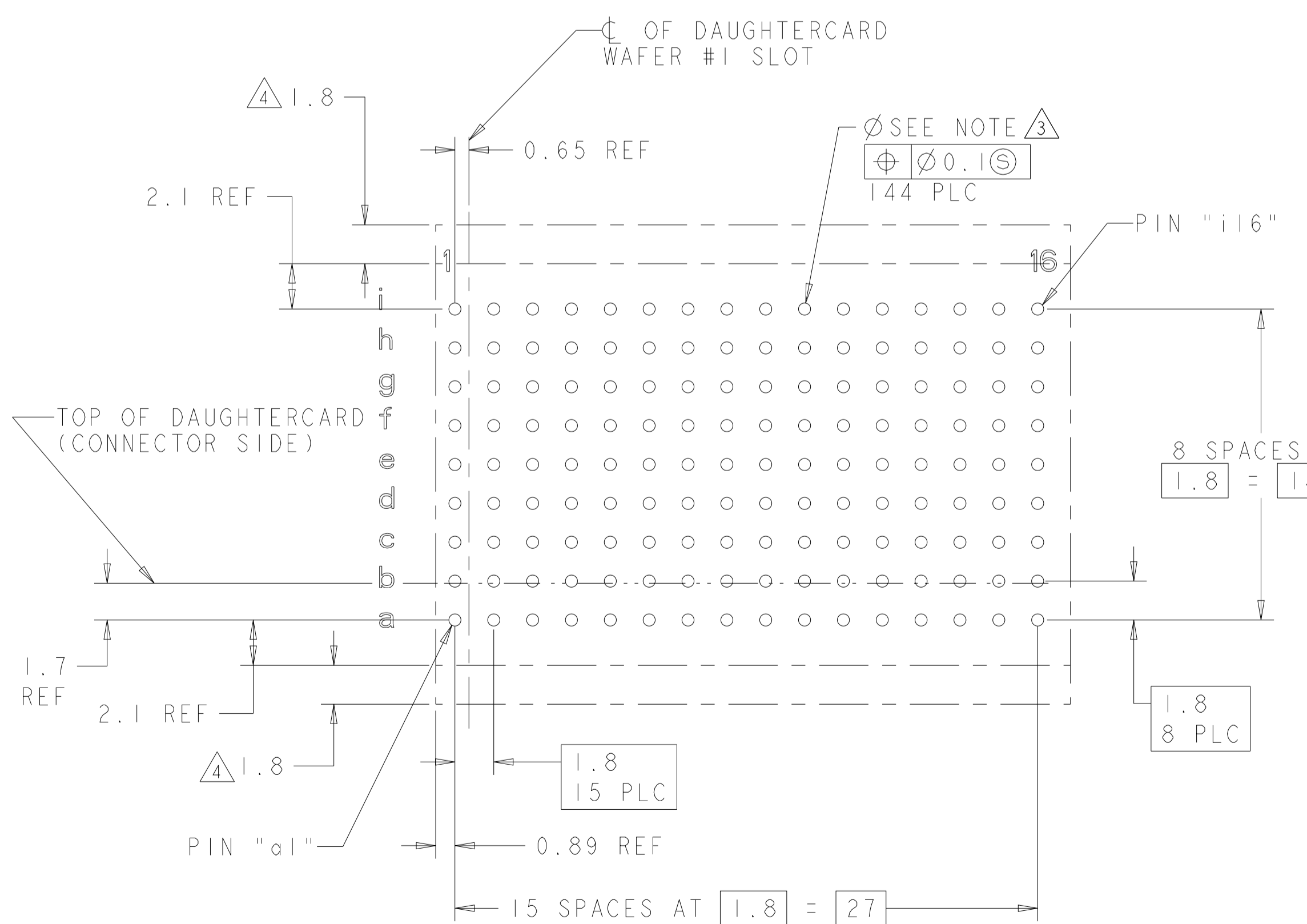


LOC		DIST		REVISIONS			
P	LTN	DESCRIPTION	DATE	DMN	APVD		
B		RELEASED PER ECO-13-004502	12MAR2013	KM	DH		
C		REVISED PER ECO-13-008265	20MAY2013	DB	DH		
D		REVISED PER ECN-21-117413	17SEP2021	JAB	DH		

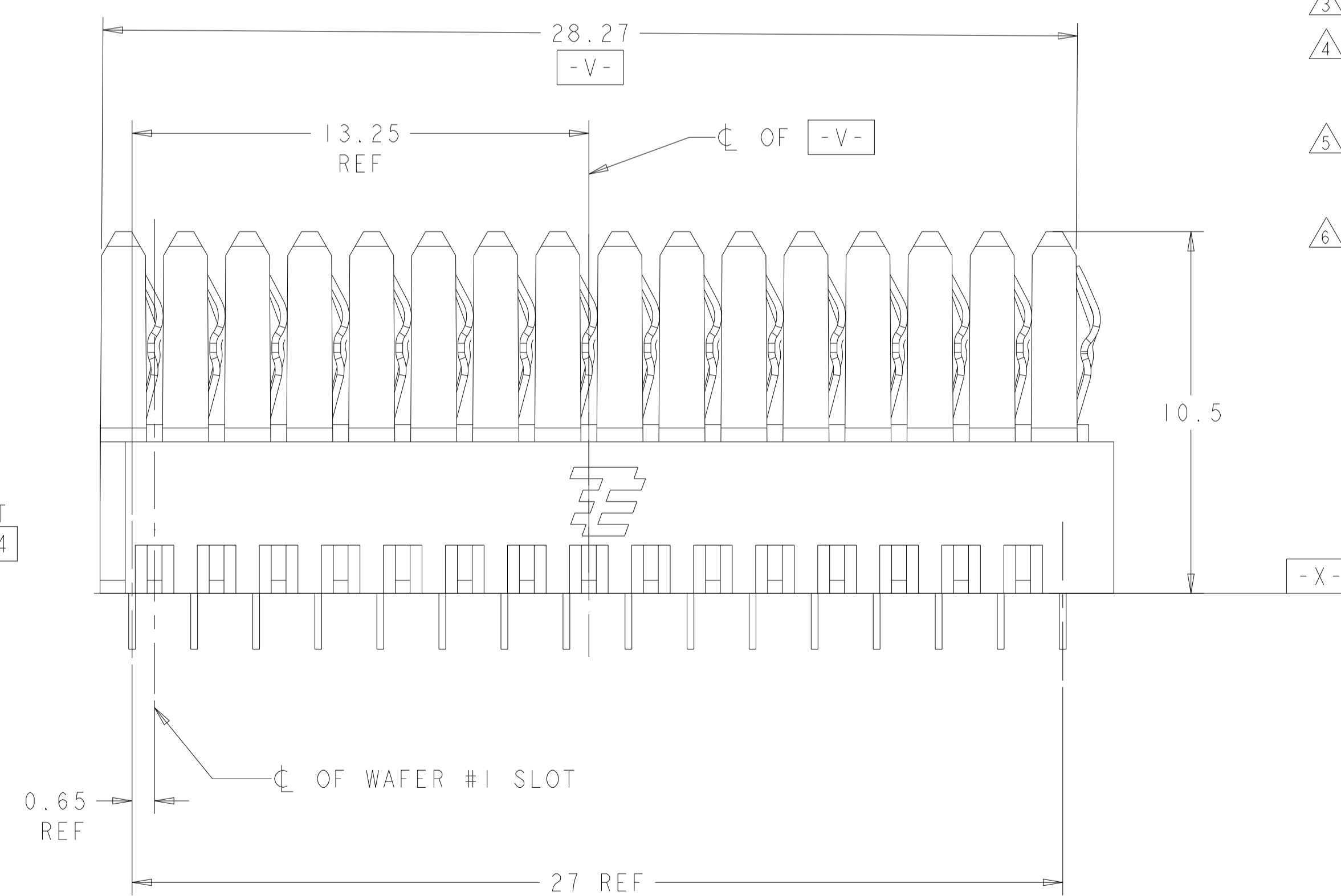


$\varnothing 0.2 \text{ (S)}$  X  $\text{V (S)}$   $\text{Z (S)}$

- ① HOUSING: LCP, UL94V0, COLOR: BLACK. CONTACT: PHOSPHOR BRONZE.
- ② FINISH: 1.27 $\mu\text{m}$  GOLD IN CONTACT AREA 1.27 $\mu\text{m}$  MIN. TIN-LEAD (93/7) ON PCB TAIL OVER 2.54 $\mu\text{m}$  MIN. NICKEL OVER ALL.
- ③ PLATED THROUGH HOLE PER 114-13056, FIGURE 4
- ④ ADDITIONAL CONNECTOR-SIDE KEEP-OUT AREA REQUIRED IF CONNECTOR-SIDE EXTRACTION TOOL IS TO BE USED.
- ⑤ FINISH: 1.27 $\mu\text{m}$  MIN GOLD IN CONTACT AREA, 0.50 $\mu\text{m}$  MIN TIN ON PCB TAIL OVER 2.54 $\mu\text{m}$  MIN. NICKEL OVER ALL.
- ⑥ FINISH: 1.27 $\mu\text{m}$  GOLD IN CONTACT AREA 1.27 $\mu\text{m}$  MIN. TIN-LEAD (60/40) ON PCB TAIL OVER 2.54 $\mu\text{m}$  MIN. NICKEL OVER ALL.



PC BOARD LAYOUT  
 (CONNECTOR SIDE)  
 (SEE SHEET 2 FOR RTM)  
 SCALE 5:1

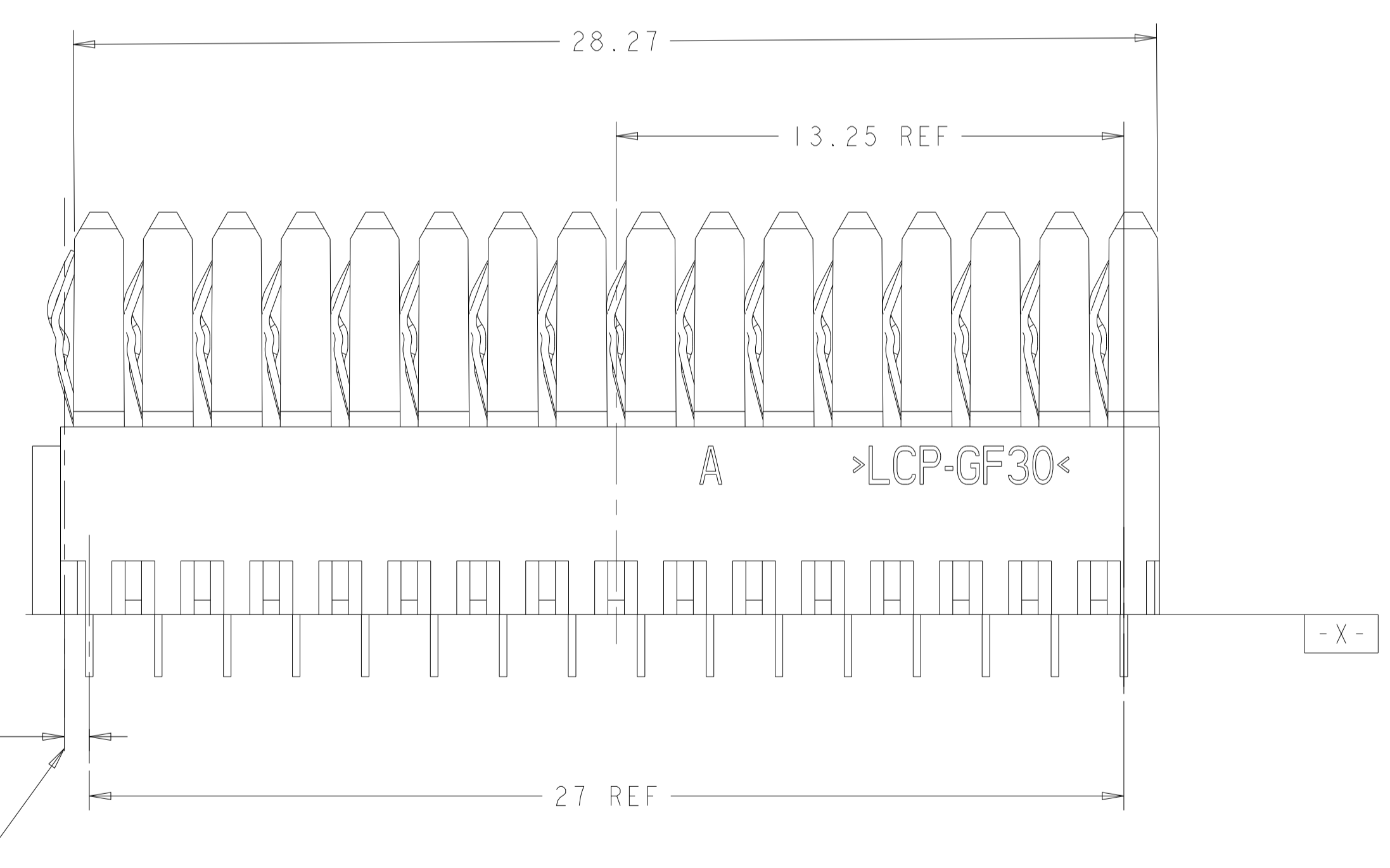
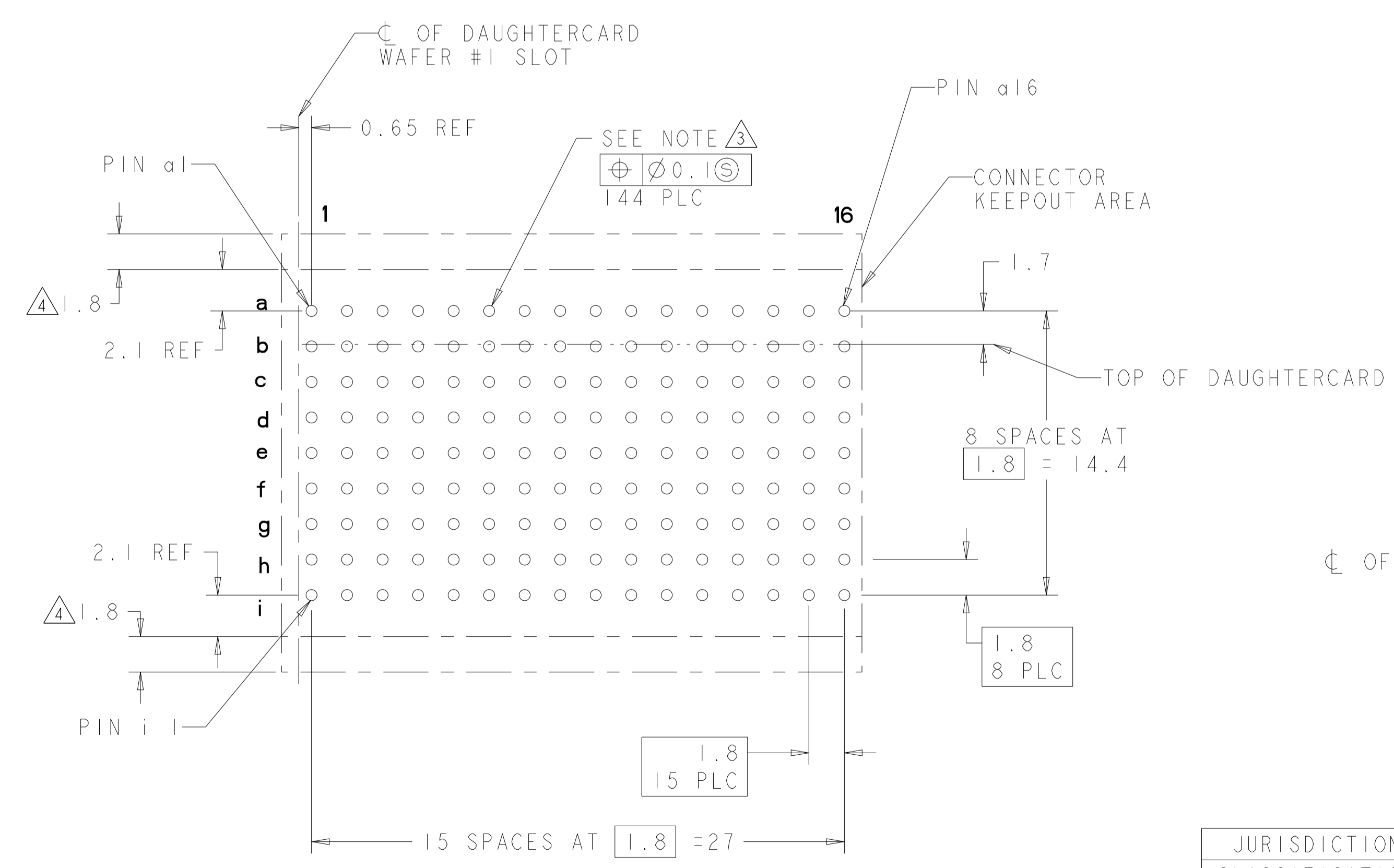
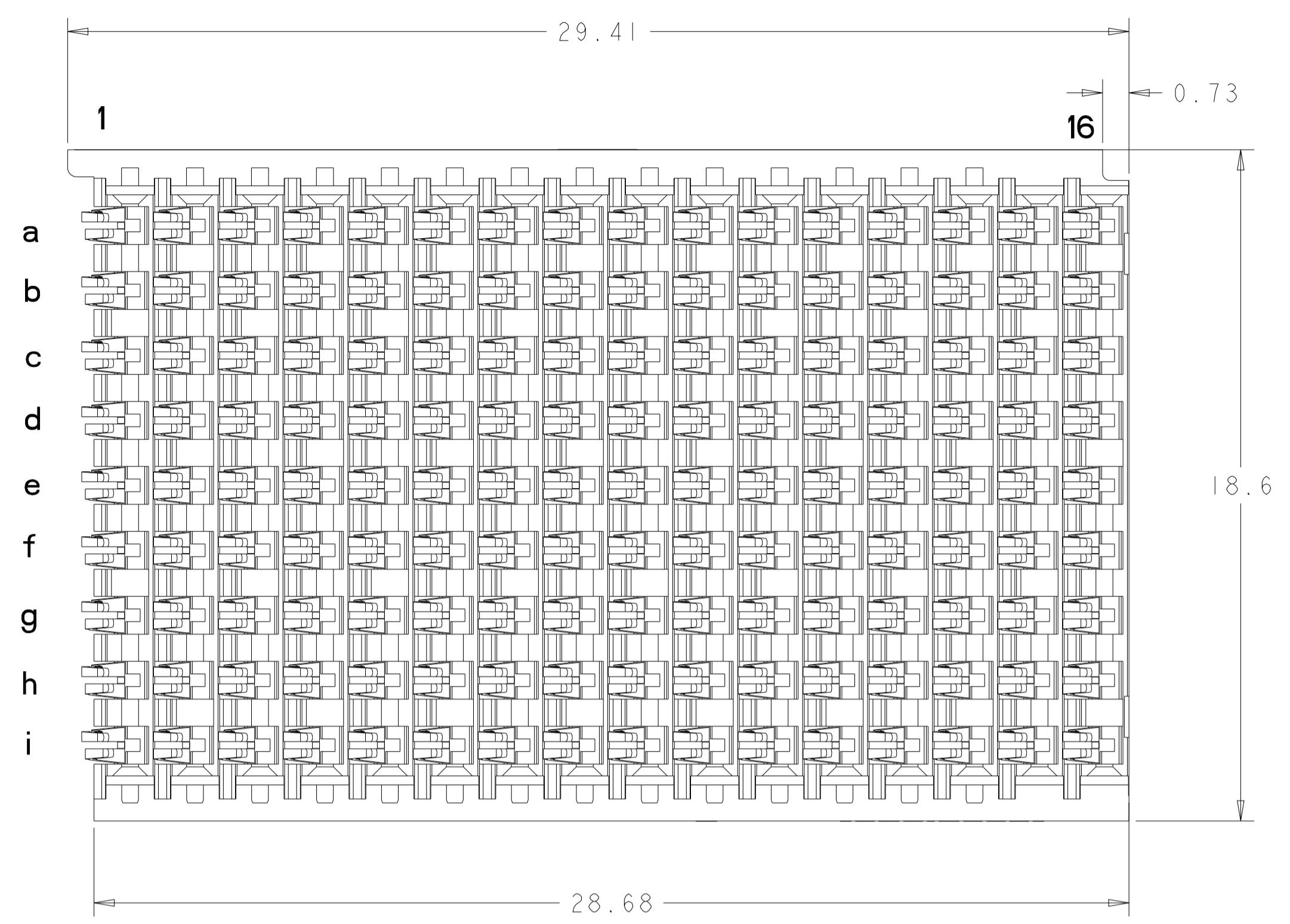
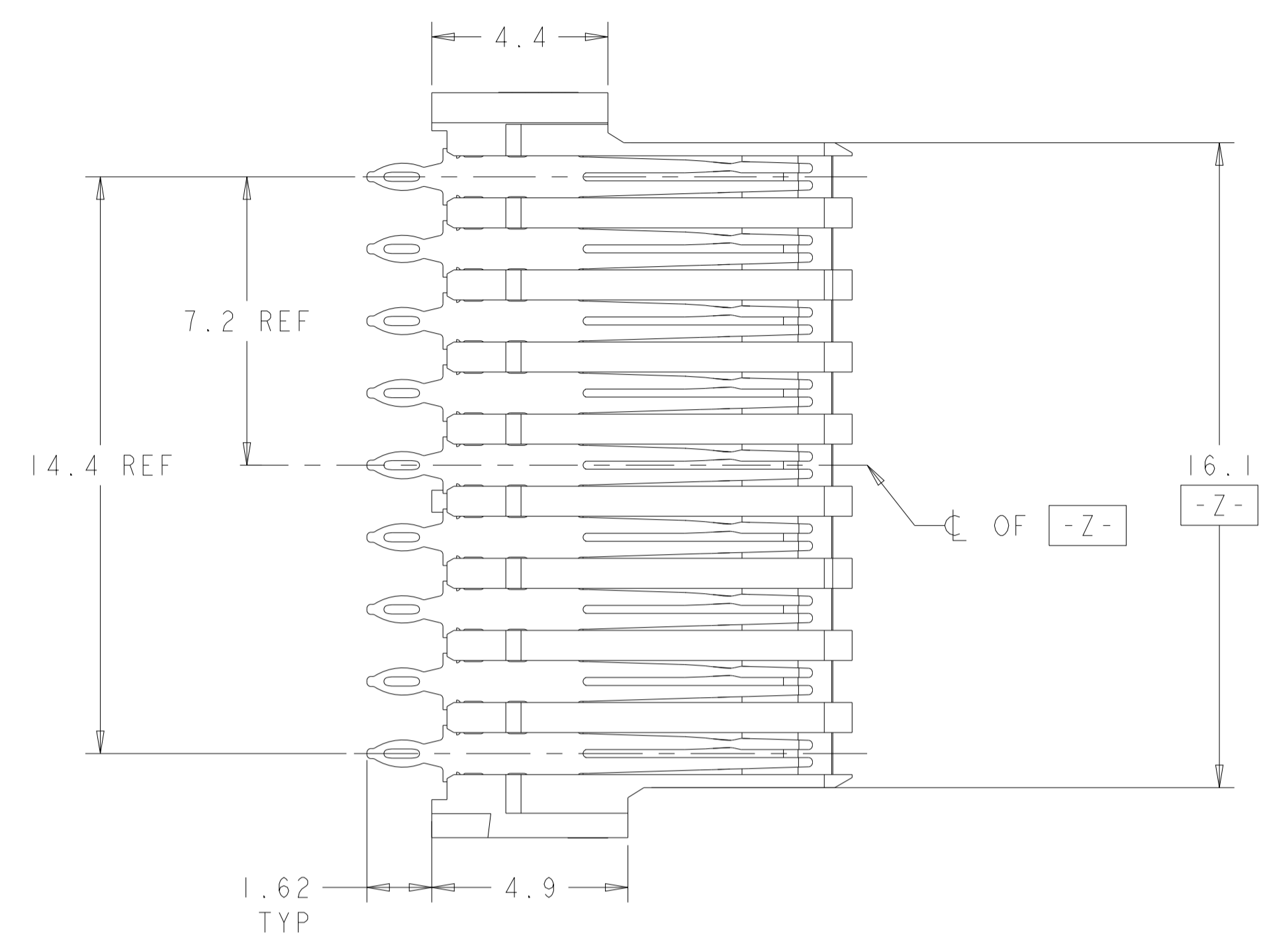


JURISDICTION	EAR
CLASSIFICATION	EAR99
DATE OF MARKING	17SEP2021
THIS DOCUMENT CONTAINS CONTROLLED TECHNICAL DATA SUBJECT TO THE EXPORT ADMINISTRATION REGULATIONS (EAR). VIOLATIONS OF THESE EXPORT LAWS AND REGULATIONS ARE SUBJECT TO CIVIL AND CRIMINAL PENALTIES.	

THIS DRAWING IS A CONTROLLED DOCUMENT.		DMN K. MILLER 07SEP2011	
DIMENSIONS:		CHK K. THACKSTON 12SEP2011	
mm	TOLERANCES UNLESS OTHERWISE SPECIFIED:	APVD M. McALONIS 10SEP2012	NAME
$\varnothing$	0 PLC $\pm$	PRODUCT SPEC	CONNECTOR ASSEMBLY, BACKPLANE
$\varnothing$	1 PLC $\pm 0.5$	APPLICATION SPEC	VERTICAL RECEPTACLE, CENTER,
$\varnothing$	2 PLC $\pm 0.13$	114-13056	20.3mm, MULTIGIG RT 2-R
$\varnothing$	3 PLC $\pm$	WEIGHT	SIZE CAGE CODE DRAWING NO RESTRICTED TO
$\varnothing$	4 PLC $\pm$	6.51g	A1 00779 C=2102736
ANGLES	$\pm 1^{\circ}$	Customer Drawing	SCALE 2:1 SHEET 1 OF 2 REV D
FINISH	SEE TABLE		

LOC		DIST		REVISIONS			
P	LTN	DATE	DMN	APVD			
-	-	SEE SHEET 1	-	-	-	-	

# REAR TRANSITION MODULE APPLICATION



RTM PC BOARD LAYOUT  
 (CONNECTOR SIDE)  
 SCALE 5:1

JURISDICTION	EAR
CLASSIFICATION	EAR99
DATE OF MARKING	17SEP2021
THIS DOCUMENT CONTAINS CONTROLLED TECHNICAL DATA SUBJECT TO THE EXPORT ADMINISTRATION REGULATIONS (EAR). VIOLATIONS OF THESE EXPORT LAWS AND REGULATIONS ARE SUBJECT TO CIVIL AND CRIMINAL PENALTIES.	

THIS DRAWING IS A CONTROLLED DOCUMENT.		DMN K. MILLER 07SEP2011	TE Connectivity
DIMENSIONS: mm		CHK K. THACKSTON 12SEP2011	
TOLERANCES UNLESS OTHERWISE SPECIFIED:		APVD M. McALONIS 10SEP2012	NAME CONNECTOR ASSEMBLY, BACKPLANE VERTICAL RECEPTACLE, CENTER, 20.3mm, MULTIGIG RT 2-R
0 PLC ± 1 PLC ±0.5 2 PLC ±0.13 3 PLC ± 4 PLC ± ANGLES ±1°		PRODUCT SPEC 108-2072 APPLICATION SPEC 114-13056 WEIGHT 6.51g	
MATERIAL		114-13056	RESTRICTED TO
SEE TABLE		Customer Drawing	SIZE CAGE CODE DRAWING NO. A100779 SCALE 2:1 SHEET 2 OF 2 REV D

单击下面可查看定价，库存，交付和生命周期等信息

[>>TE Connectivity\(泰科\)](#)