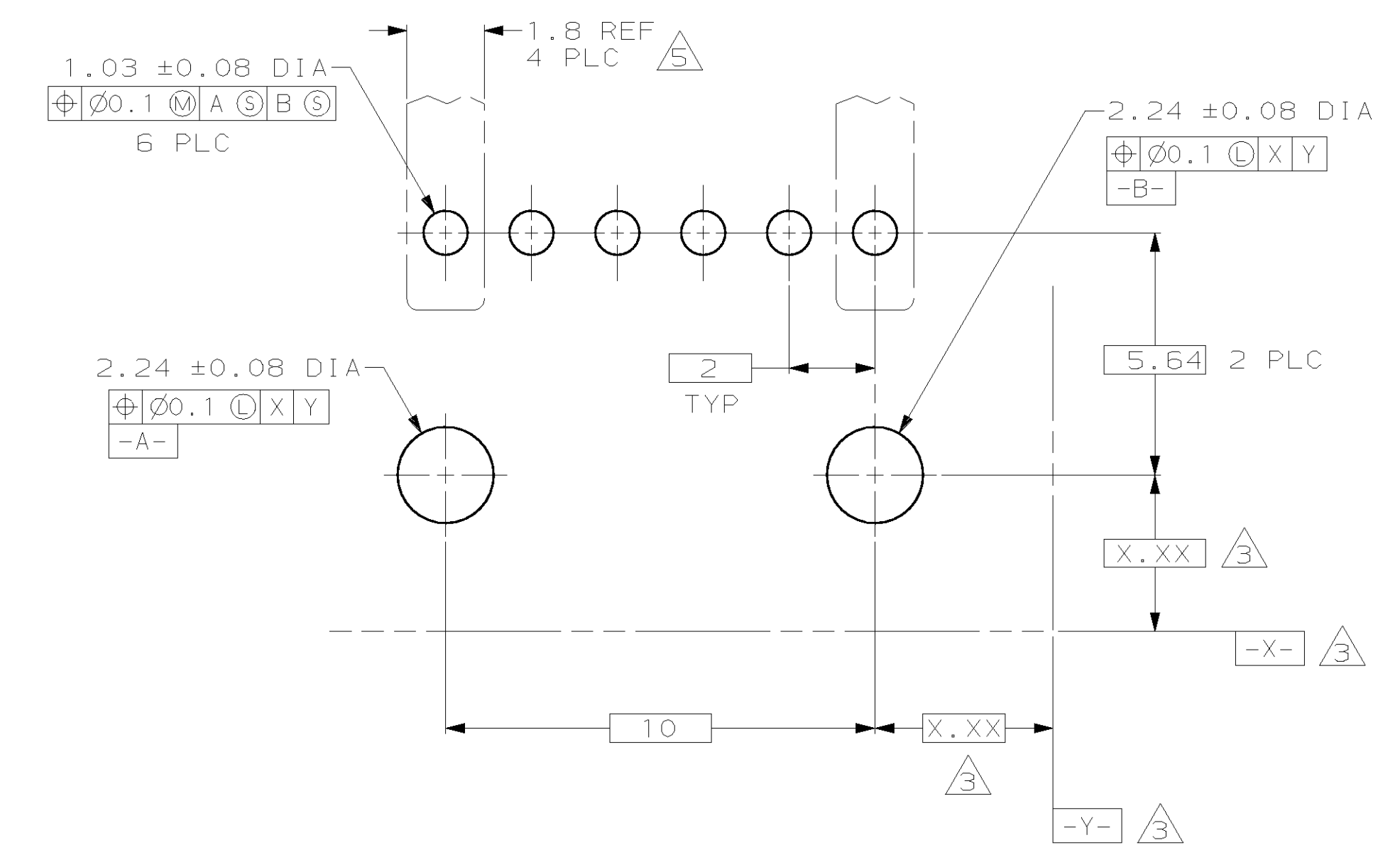
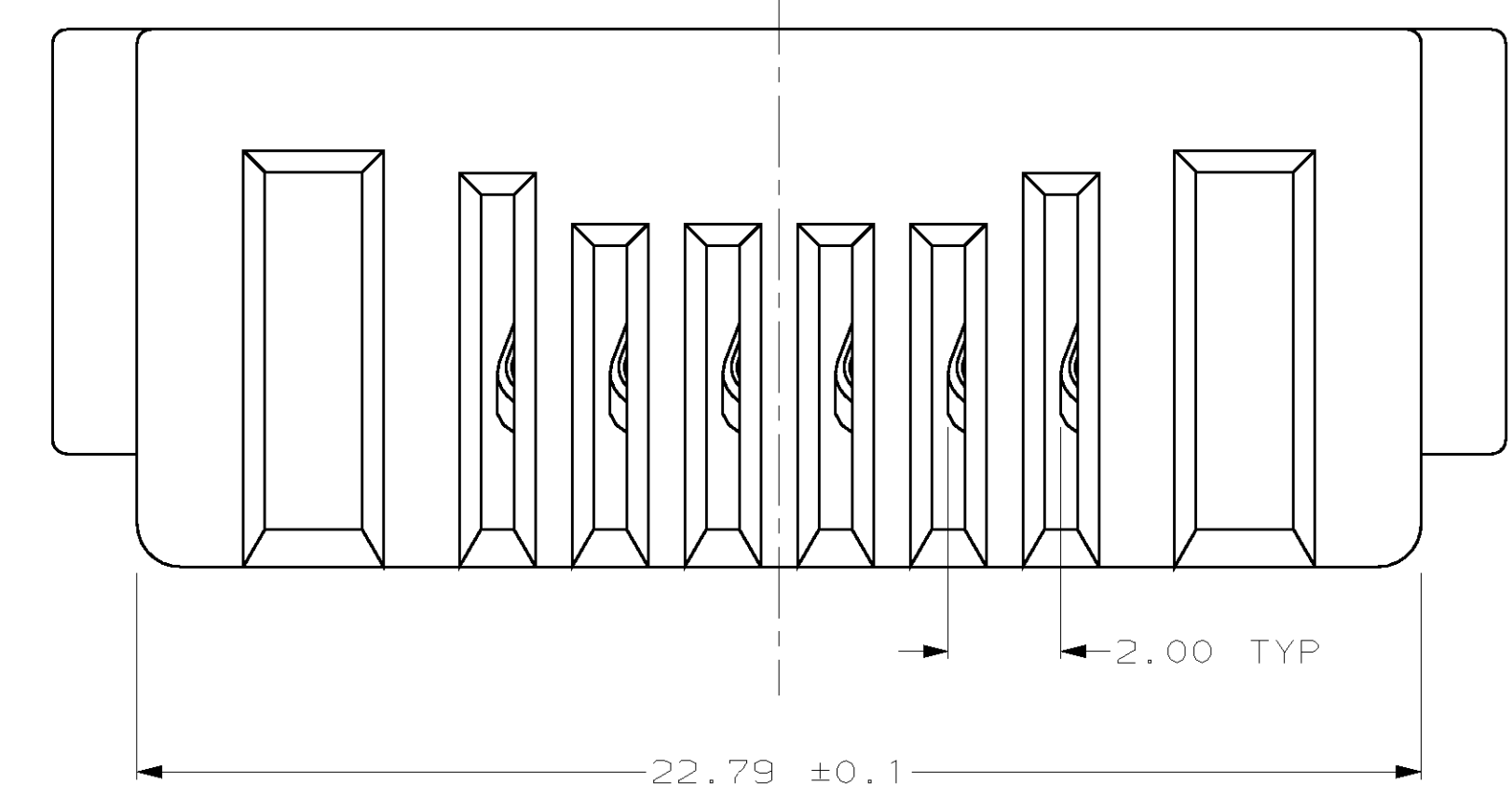
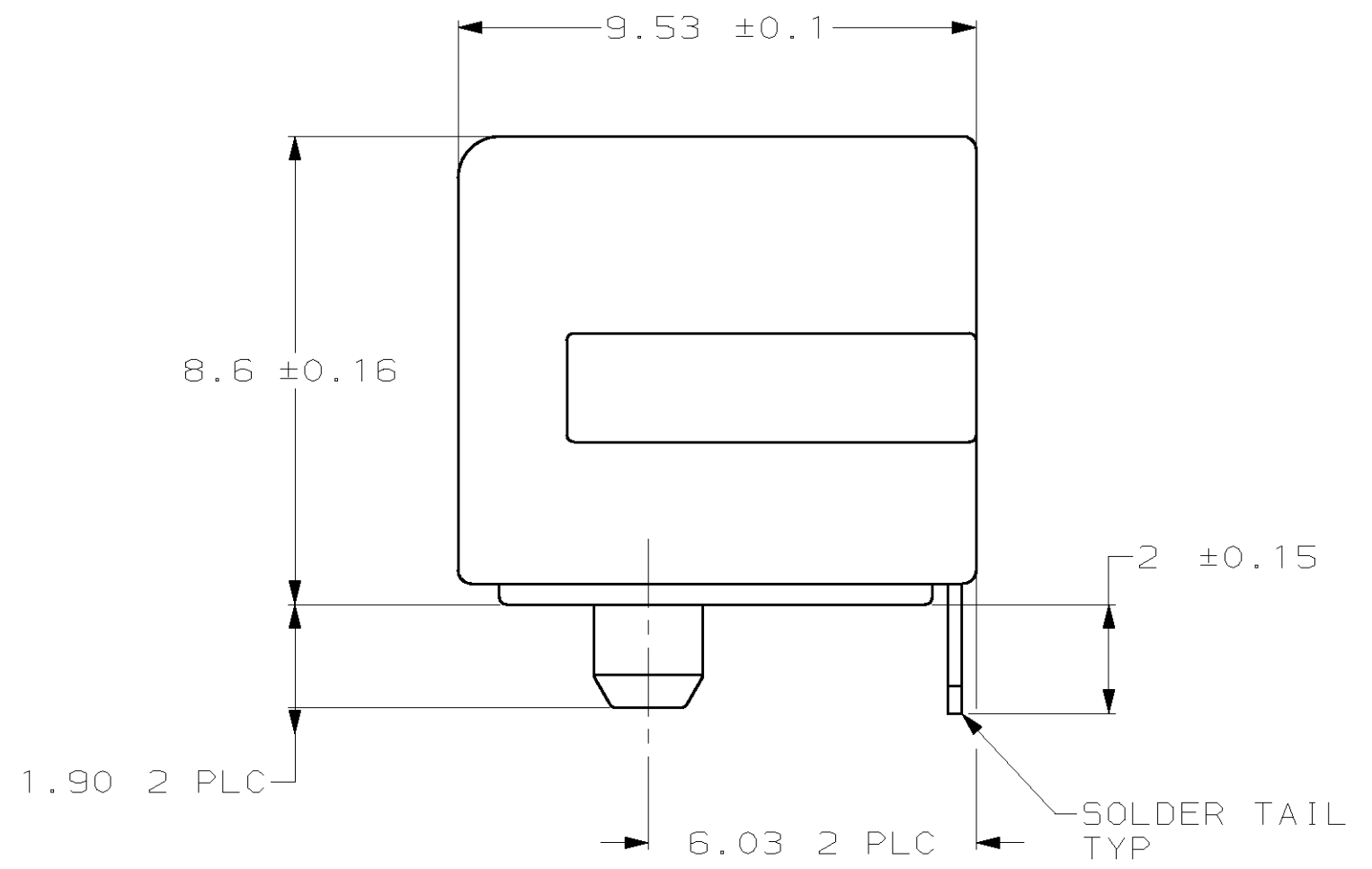
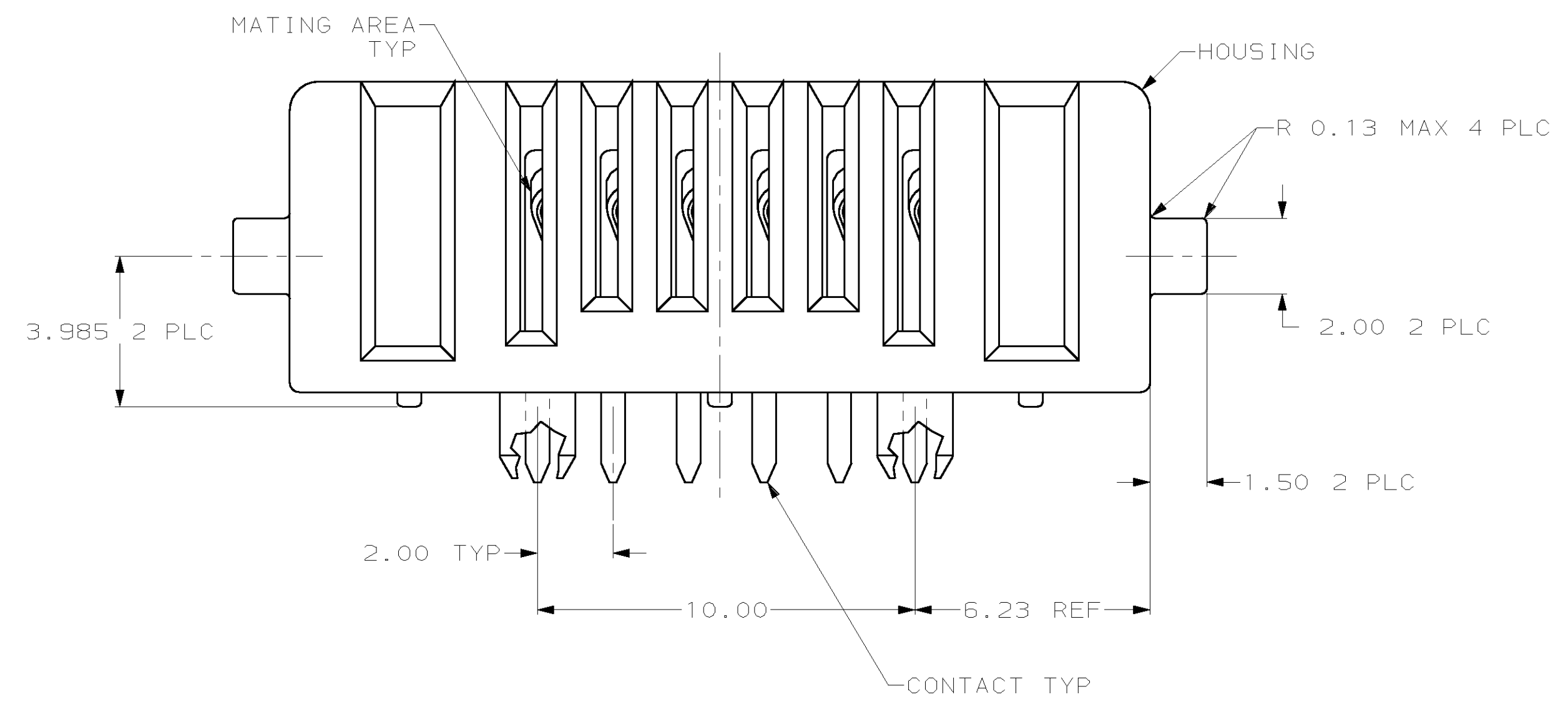


LOC	DIST	REV	DATE	BY	CHKD	APPROV
AD	0					
C		REV PER 0410-0189-96	14 MAR 97	JR	CB	
D		REV PER EC 061C-0036-99	29 MAR 99	CD	KD	
E		REV PER EC 061C-0056-99	30 MAR 99	CD	KD	



P.C. BOARD MOUNTING DIMENSIONS  $\Delta$



- $\Delta$  MATERIAL:  
HOUSING- SP5, UL 94V-0 RATED, BLACK.  
CONTACTS- PHOSPHOR BRONZE.
- $\Delta$  PLATING:  
CONTACTS: .076 $\mu$ m MINIMUM GOLD OVER 0.76 $\mu$ m MINIMUM PALLADIUM NICKEL ON MATING AREA,  
3.80 $\mu$ m MINIMUM TIN-LEAD ON SOLDER TAIL, ALL OVER 1.27  $\mu$ m MINIMUM NICKEL.
- $\Delta$  DATUMS AND BASIC DIMENSIONS ESTABLISHED BY CUSTOMER.
- $\Delta$  RECOMMENDED PC BOARD THICKNESS OF 1.57.
- $\Delta$  RECOMMENDED MINIMUM TRACE WIDTH FOR END POSITIONS  
WHEN CARRYING 4 AMPS: 1.80 WIDE x 55 $\mu$ m THICK, BOTH SIDES.

787526-1  
PART NUMBER

<small>THIS DRAWING IS A CONTROLLED DOCUMENT FOR AMP INCORPORATED. IT IS SUBJECT TO CHANGE AND THE CONTROLLING ENGINEERING ORGANIZATION SHALL BE CONTACTED FOR THE LATEST REVISION.</small>		DWN M. E. SHIRK 06/16/95 CHK WAYNE DAVIS 06/16/95 APPROV R. S. KLINE 07-11-95 NAME	<b>AMP</b> AMP Incorporated Harrisburg, PA 17105-3608
DIMENSIONS mm 	TOLERANCES UNLESS OTHERWISE SPECIFIED: 0 PLC ±- 1 PLC ±- 2 PLC ±0.13 3 PLC ±0.13 4 PLC ±- ANGLES ±-	PRODUCT SPEC - APPLICATION SPEC - WEIGHT -	RECEPTACLE ASSEMBLY, 6 POSITION, MDI SIZE A1 CAGE CODE 00779 DRAWING NO 787526 SCALE 8:1 SHEET 1 OF 1 REV E
MATERIAL $\Delta$	FINISH $\Delta$	CUSTOMER DRAWING	

单击下面可查看定价，库存，交付和生命周期等信息

[>>TE Connectivity\(泰科\)](#)