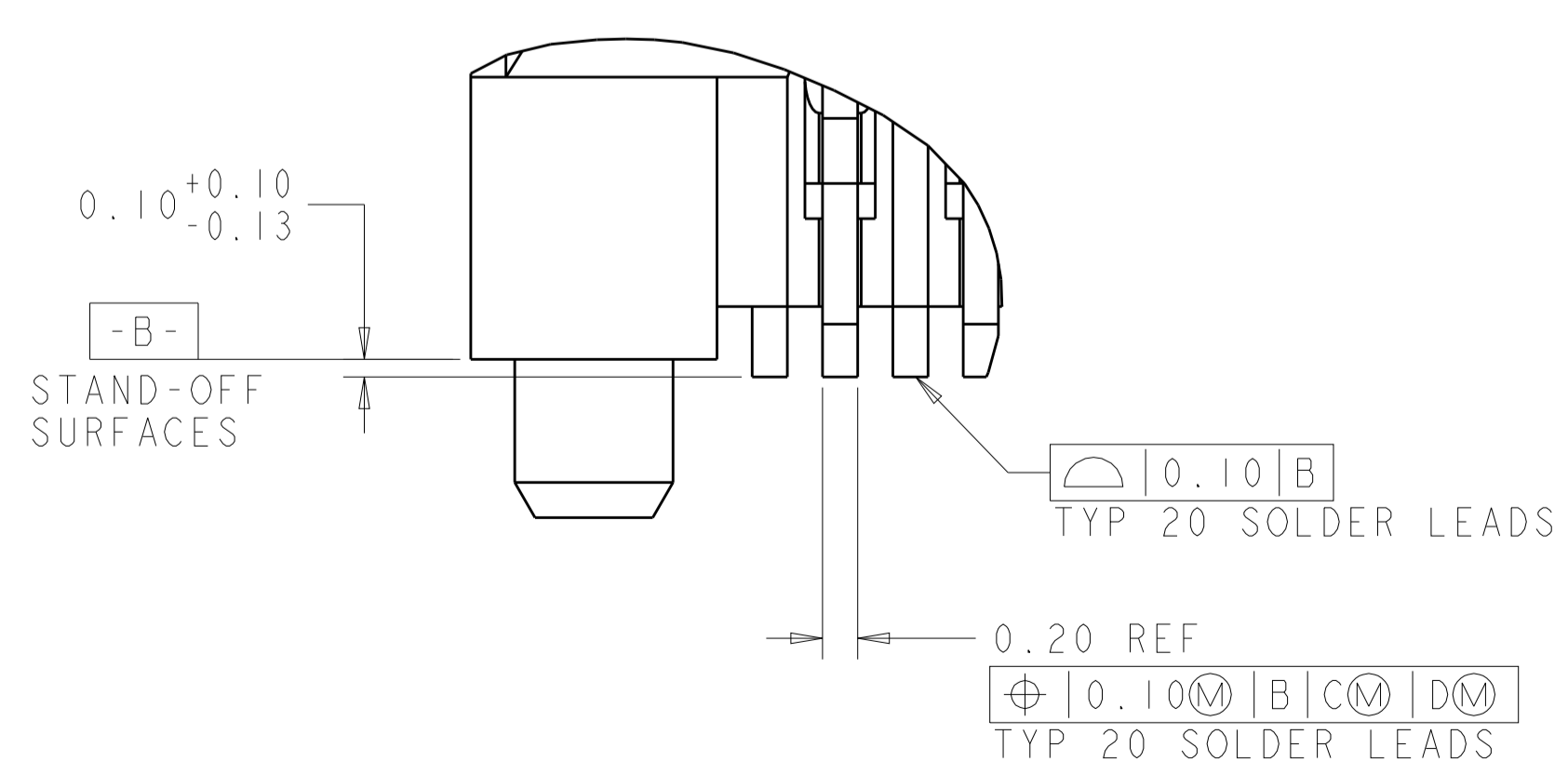
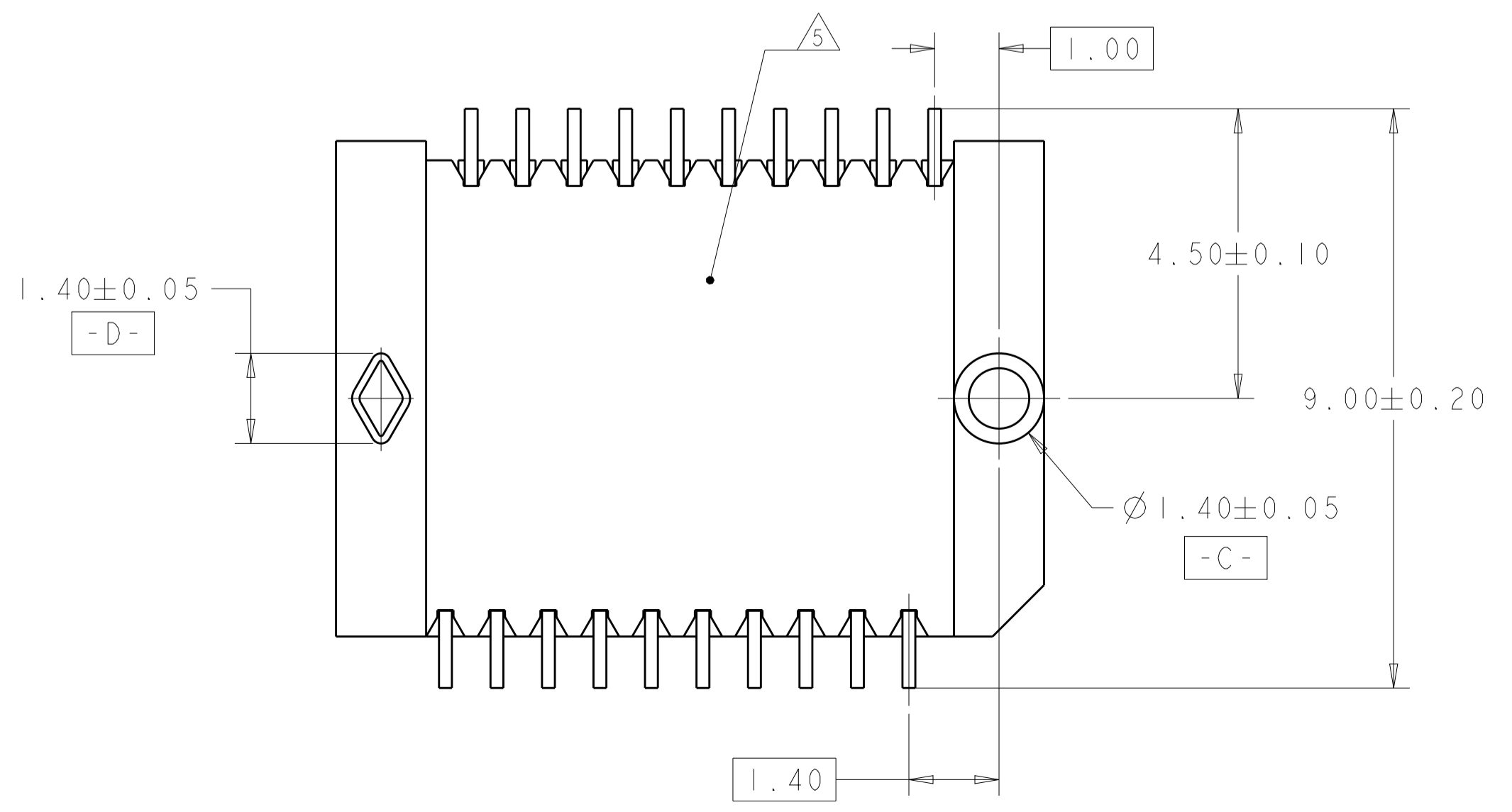
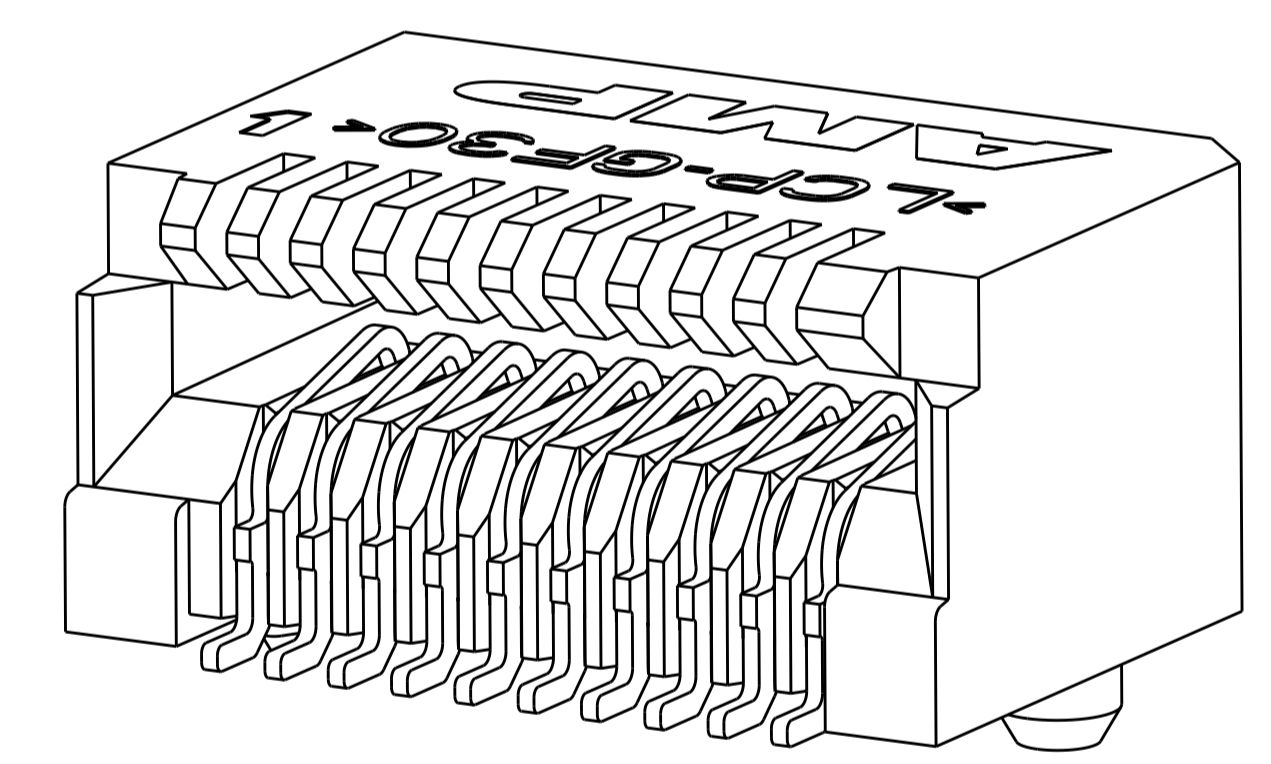
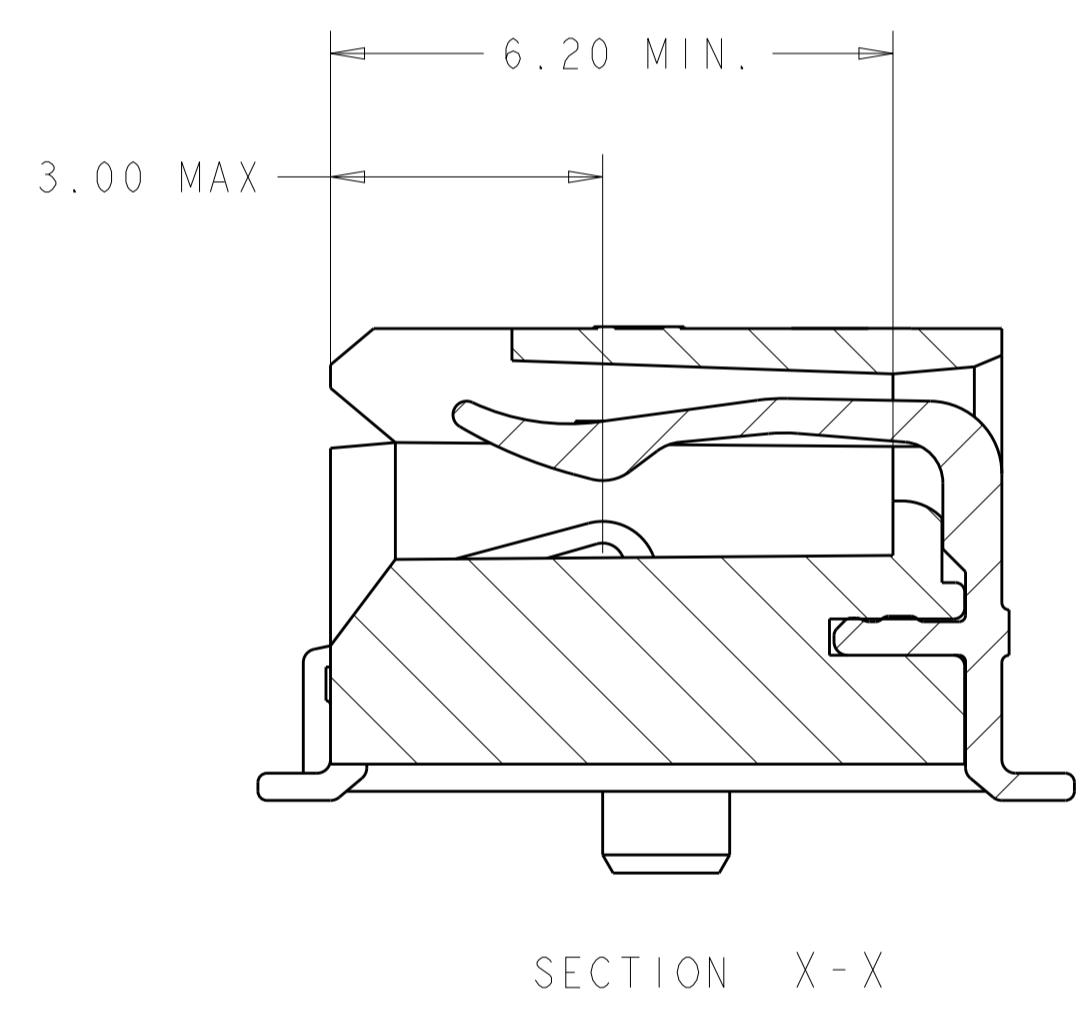
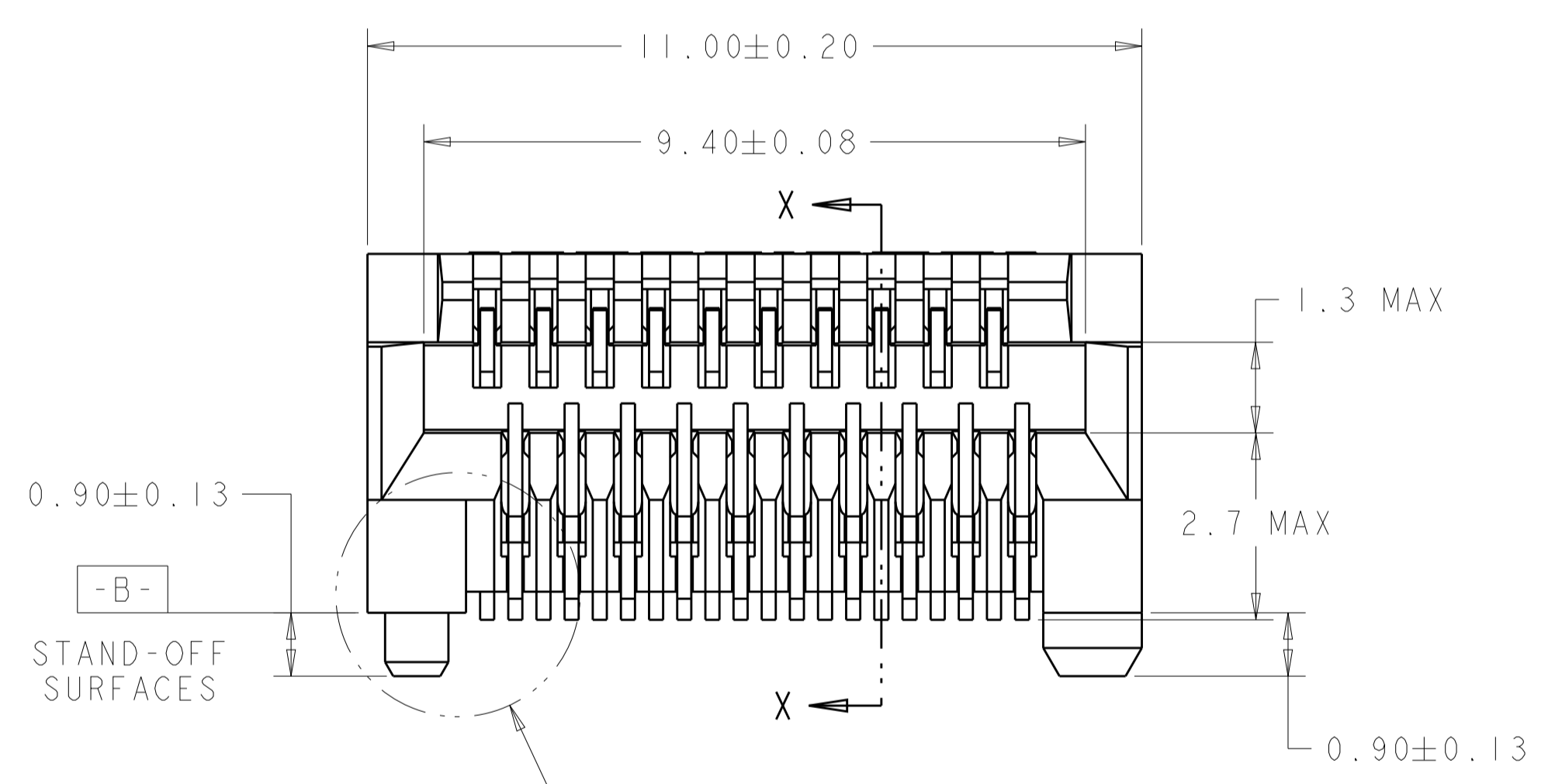
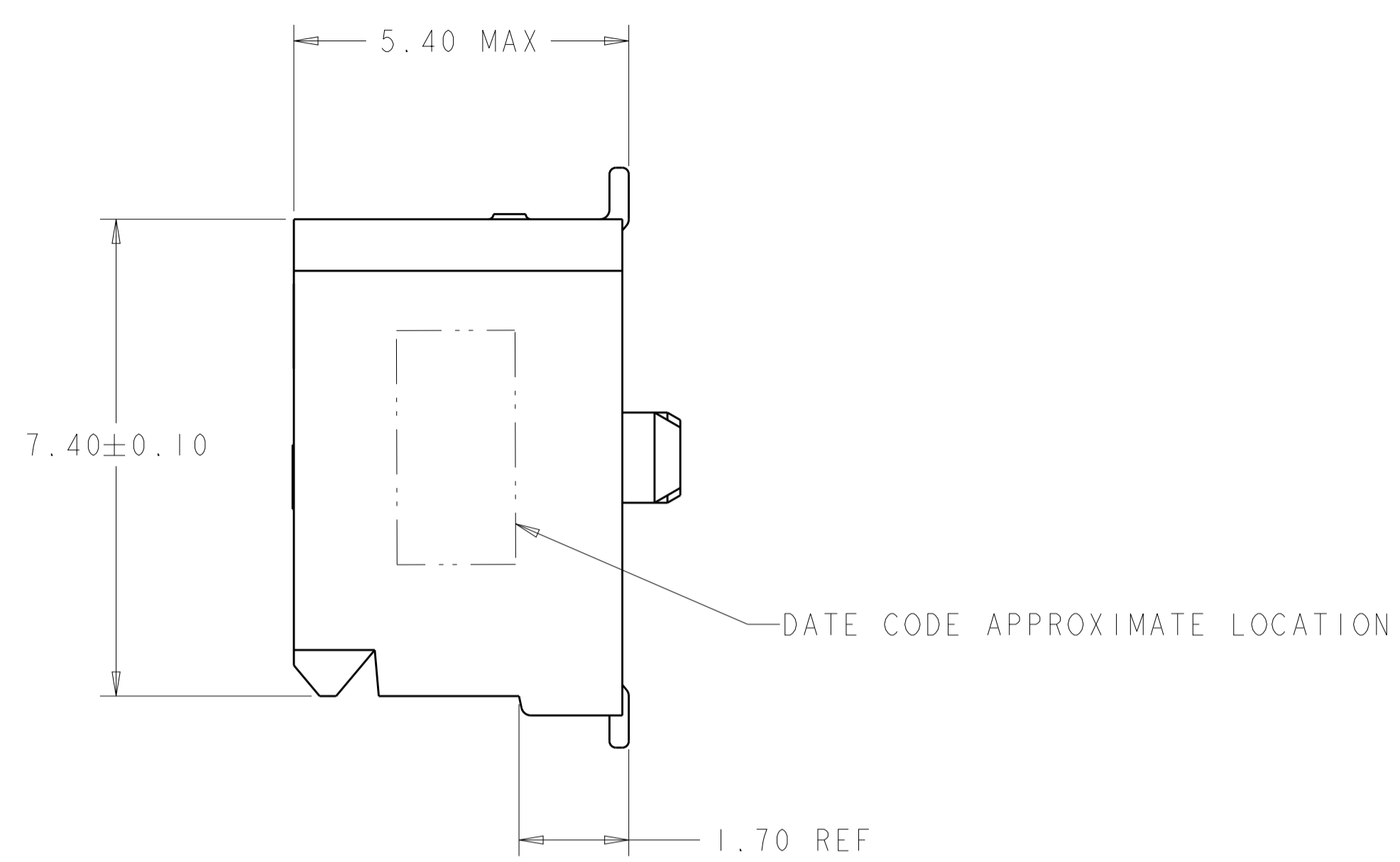
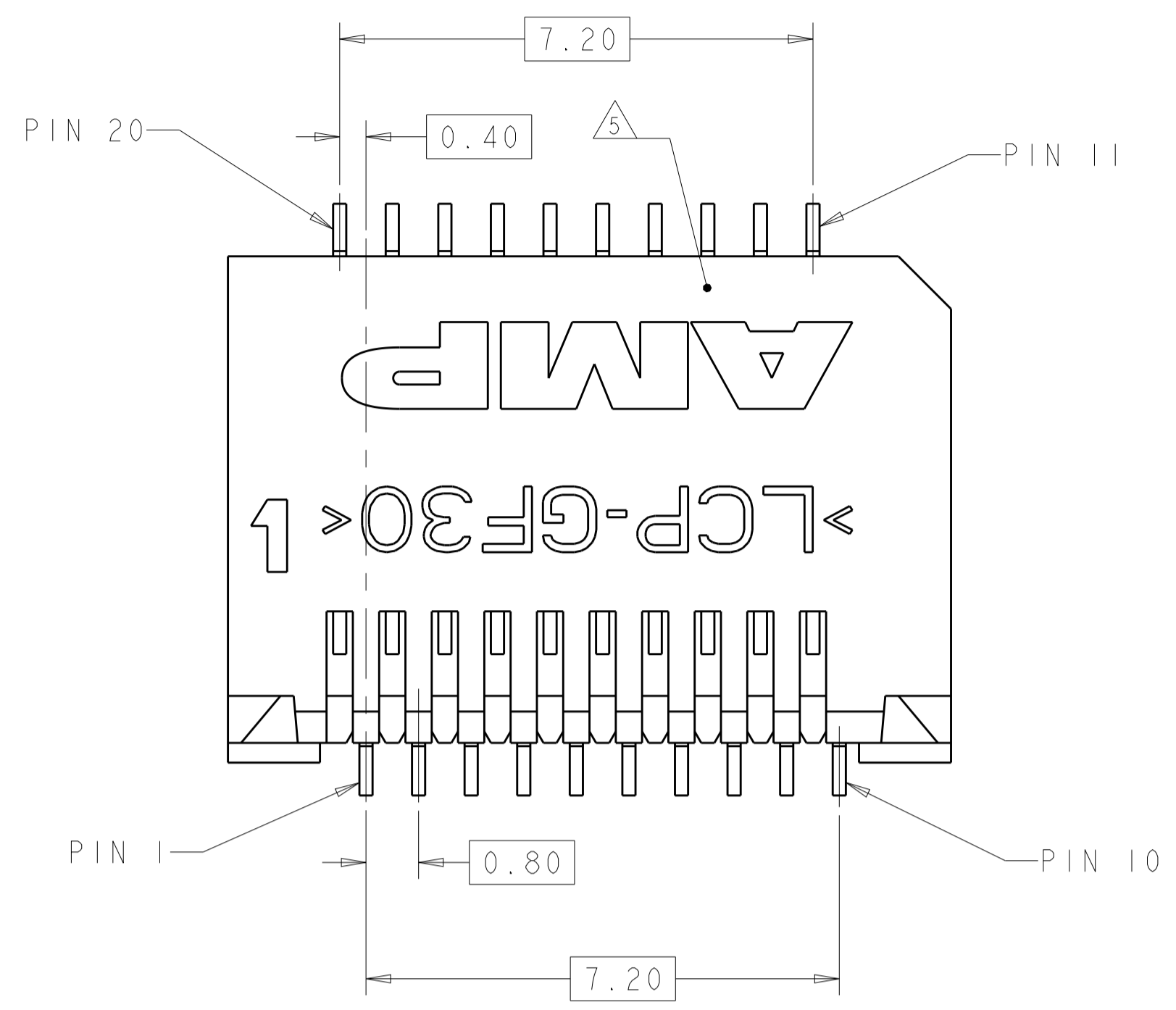


LOC		DIST		REVISIONS			
ES	00	P	LTN	DESCRIPTION	DATE	DWN	APVD
		A1		REVISED PER ECO-17-017667	05DEC2017	IT	SH



DETAIL H
SCALE 25:1

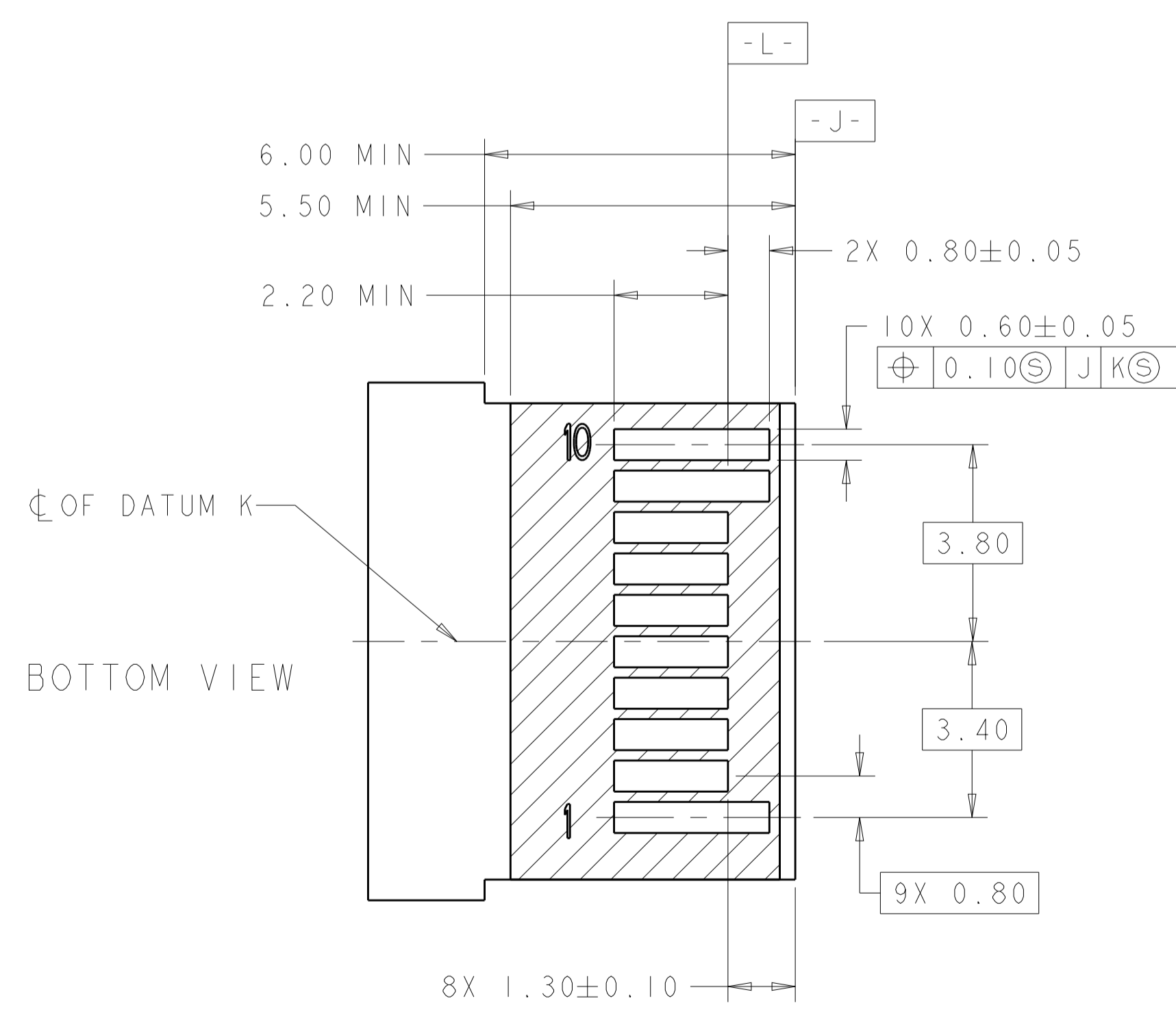
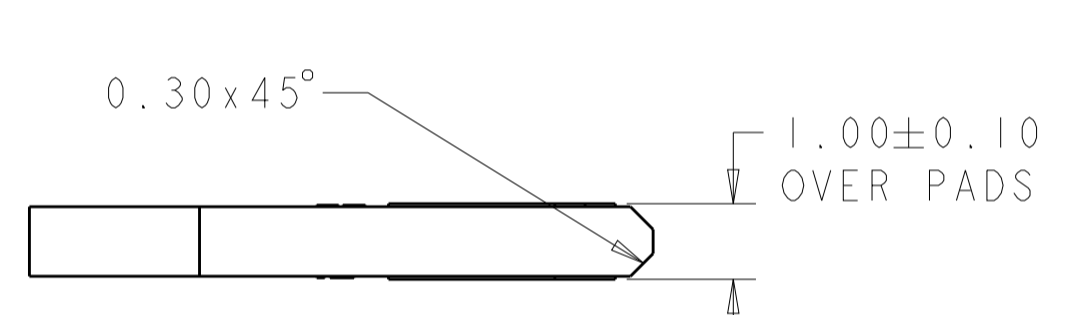
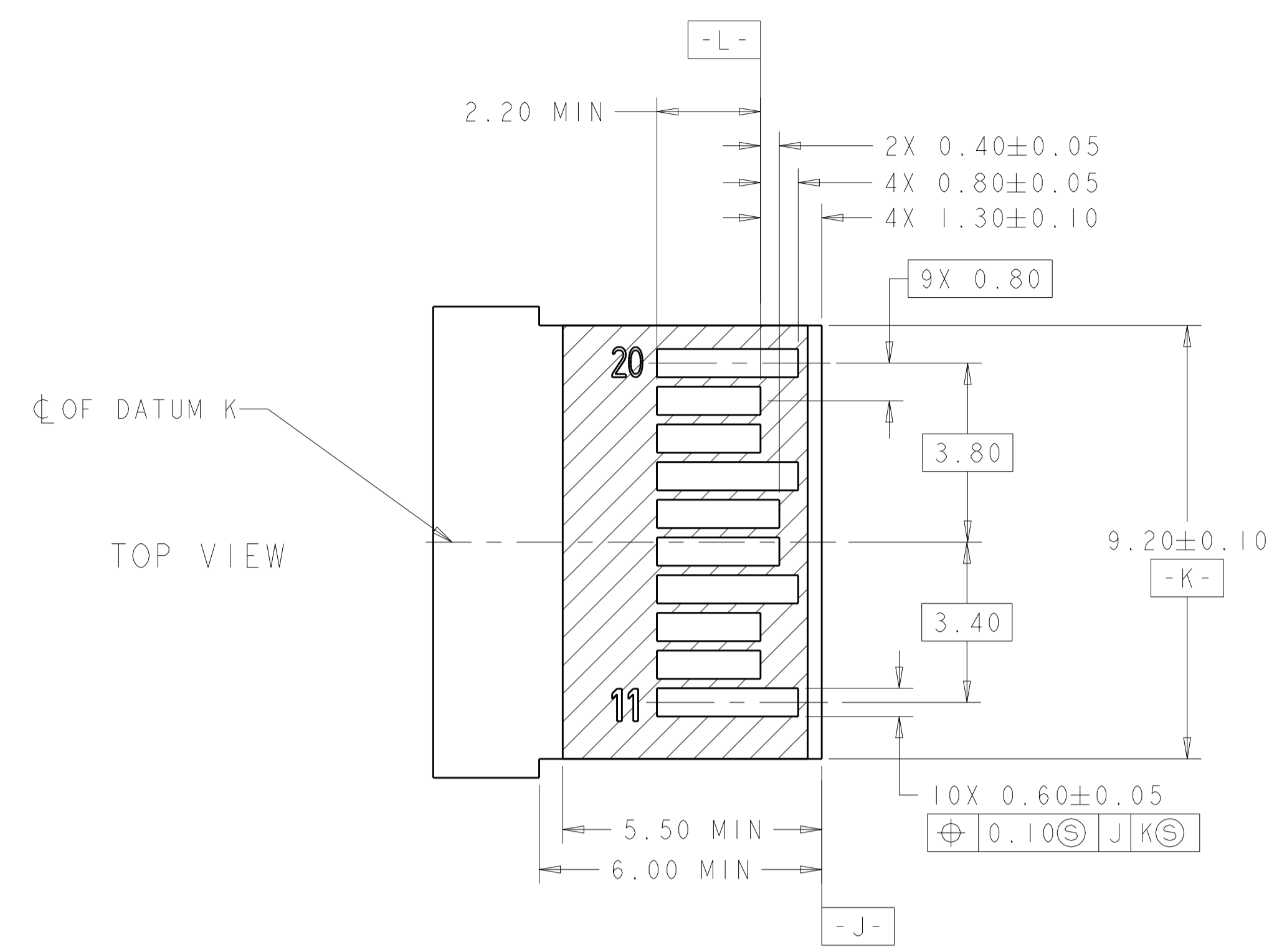
- 1 MATERIAL:
HOUSING: HIGH TEMPERATURE LCP, UL 94V-0 RATED, BLACK
CONTACTS: PHOSPHOR BRONZE.
- 2 FINISH:
CONTACTS: 0.76um MIN GOLD ON CONTACT AREA, 0.13um
MIN GOLD ON SOLDER AREA. ALL OVER 1.27um MIN NICKEL
UNDERPLATE ON ENTIRE CONTACT. LUBRICANT ON GOLD PLATE
CONTACT AREAS.
- 3. PACKAGED 480 PIECES PER REEL.
- 4 DATUMS AND BASIC DIMENSIONS TO BE ESTABLISHED BY
CUSTOMER; SEE DRAWING 1367034 FOR LAYOUT WHEN USED
WITH 1367034-1 BOTTOM CAGE (STANDARD SFP APPLICATION).
- 5 PULL GROOVES PERMITTED ON THESE SURFACES AT MOLDING
ENGINEERING DISCRETION

YES	△	2170184-2
NO	△	2170184-1
DATE CODE	FINISH	PART NUMBER

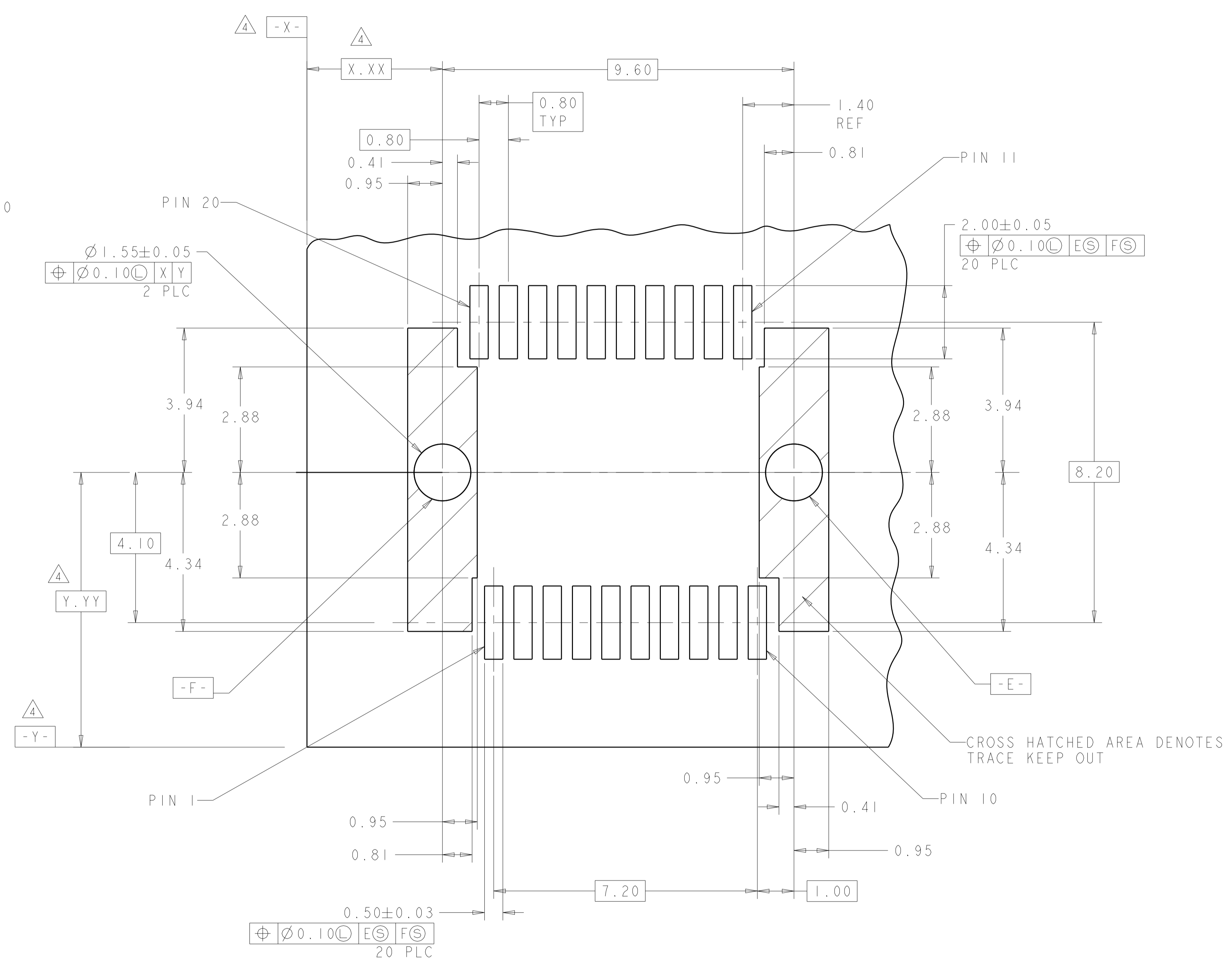
THIS DRAWING IS A CONTROLLED DOCUMENT.		DWN: TIM XUE 21NOV2011	TE Connectivity
DIMENSIONS:		CHK: ALEX CAI 21NOV2011	
TOLERANCES UNLESS OTHERWISE SPECIFIED:		APVD: ALEX CAI 21NOV2011	
mm		NAME: PT CONNECTOR ASSEMBLY, 20 POS, RIGHT ANGLE, 0.8mm PITCH, SFP+	
0 PLC	±	PRODUCT SPEC	SIZE: CAGE CODE DRAWING NO
1 PLC	±	108-2331	RESTRICTED TO
2 PLC	±0.10	APPLICATION SPEC	A100779C=2170184
3 PLC	±	114-13120	SCALE: 12:1 SHEET 1 OF 3 REV: A1
4 PLC	±	WEIGHT	
ANGLES	±	CUSTOMER DRAWING	
MATERIAL	△		
FINISH	△		

LOC	DIST	REV	DATE	BY	APPV
ES	00				

REVISIONS			DATE	BY	APPV
		SEE SHEET 1			



RECOMMENDED LAYOUT DETAIL
MATING TRANSCEIVER PCB
SCALE 10:1

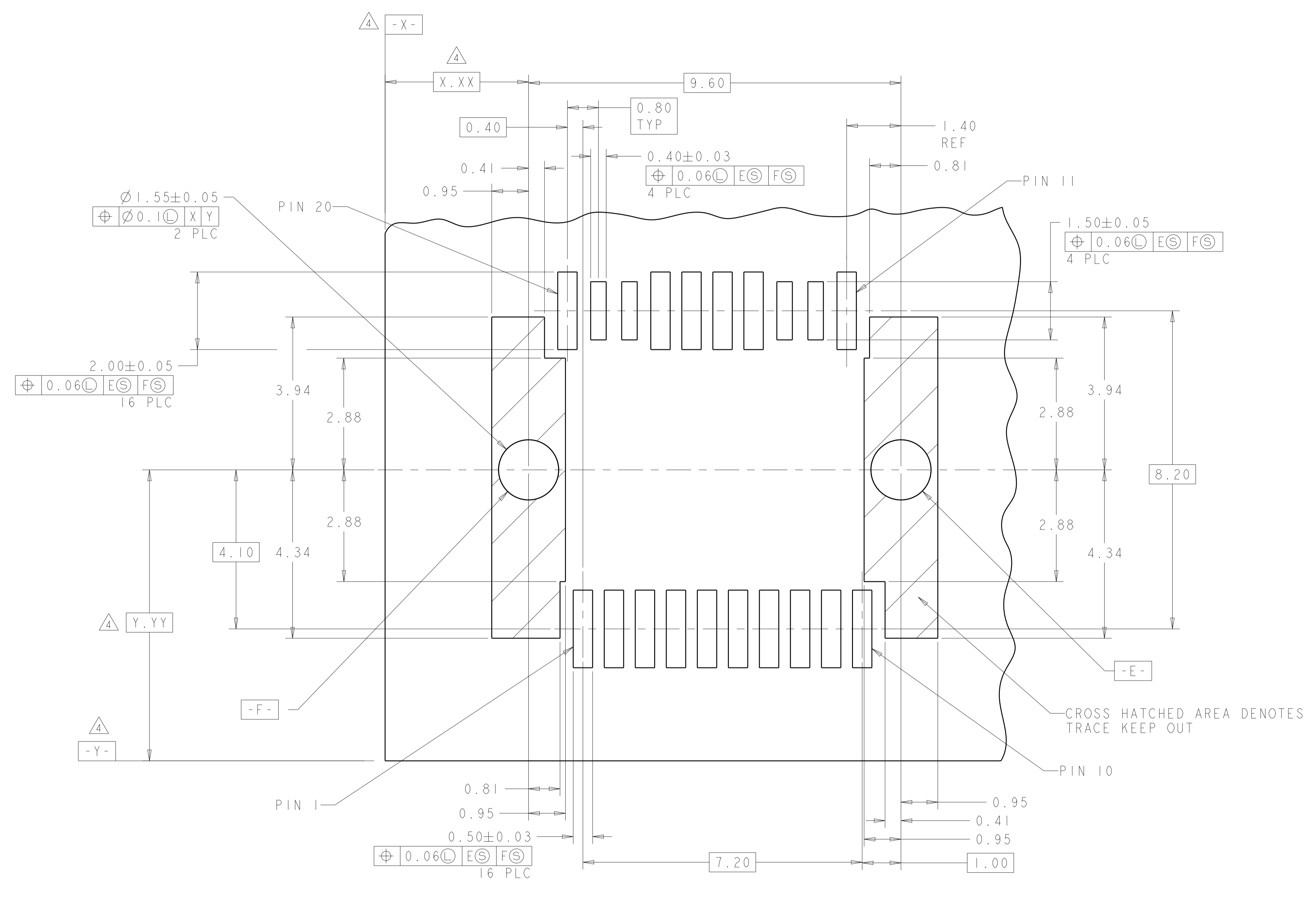


RECOMMENDED PCB LAYOUT DETAIL
CONNECTOR MOUNTING SIDE
SCALE 14:1

THIS DRAWING IS A CONTROLLED DOCUMENT.		DWN: TIM XUE 21NOV2011 CHK: ALEX CAI 21NOV2011 APVD: ALEX CAI 21NOV2011	TE Connectivity	NAME: PT CONNECTOR ASSEMBLY, 20 POS, RIGHT ANGLE, 0.8mm PITCH, SFP+
DIMENSIONS: mm TOLERANCES UNLESS OTHERWISE SPECIFIED: 0 PLC ± 1 PLC ±0.10 2 PLC ± 3 PLC ± 4 PLC ± ANGLES ±		PRODUCT SPEC: 108-2331 APPLICATION SPEC: 114-13120		
MATERIAL:		FINISH: -	WEIGHT: -	RESTRICTED TO: -
CUSTOMER DRAWING		SCALE: 12:1	SHEET: 2 OF 3	REV: A1

LOC	DIST	REV	DATE	BY	APPV
ES	00				

REVISIONS					
REV	DATE	BY	APPV	DESCRIPTION	DATE
-	-	-	-	SEE SHEET 1	-



OPTIONAL LAYOUT FOR IMPROVED
 SIGNAL INTEGRITY, MOUNTING SIDE
 SCALE 16:1

THIS DRAWING IS A CONTROLLED DOCUMENT.		DWN: TIM XUE 21NOV2011 CHK: ALEX CAI 21NOV2011 APVD: ALEX CAI 21NOV2011	TE Connectivity
DIMENSIONS: mm 	TOLERANCES UNLESS OTHERWISE SPECIFIED: 0 PLC ± 1 PLC ±0.10 2 PLC ± 3 PLC ± 4 PLC ± ANGLES ± FINISH	NAME: PT CONNECTOR ASSEMBLY, 20 POS, RIGHT ANGLE, 0.8mm PITCH, SFP+ PRODUCT SPEC: 108-2331 APPLICATION SPEC: 114-13120 WEIGHT:	
MATERIAL:		CUSTOMER DRAWING	SCALE: 12:1 SHEET: 3 OF 3 REV: A1

单击下面可查看定价，库存，交付和生命周期等信息

[>>TE Connectivity\(泰科\)](#)