

THIS DRAWING IS UNPUBLISHED.

RELEASED FOR PUBLICATION

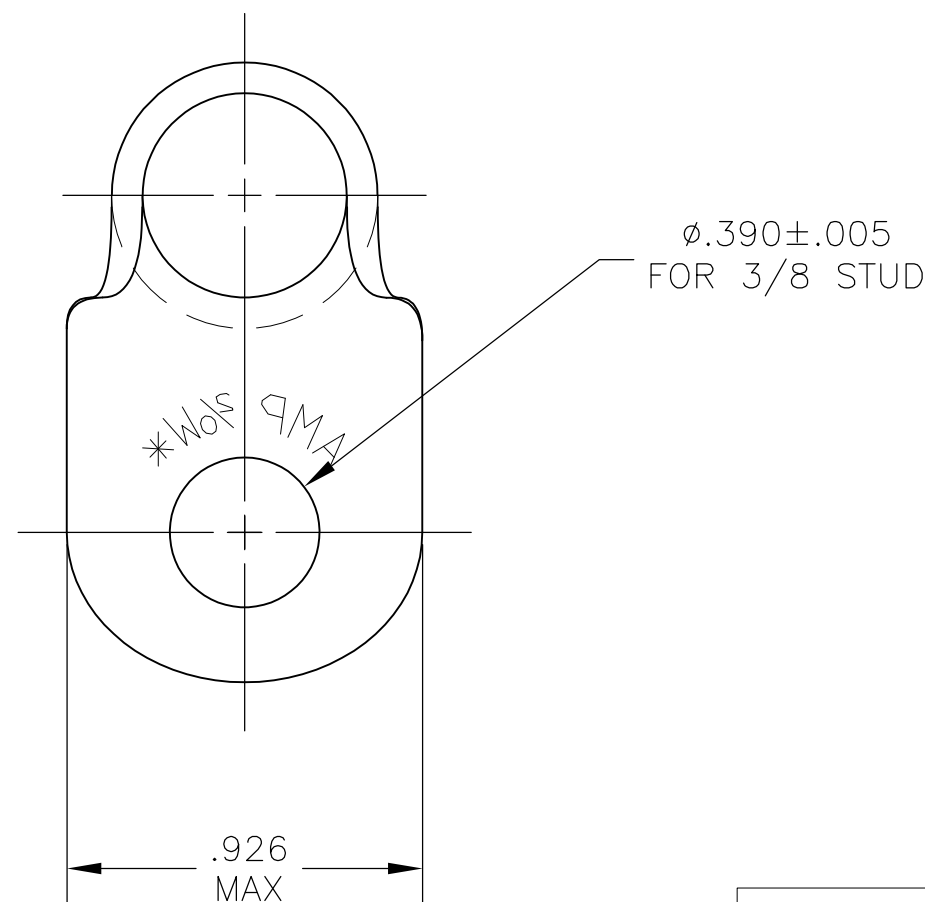
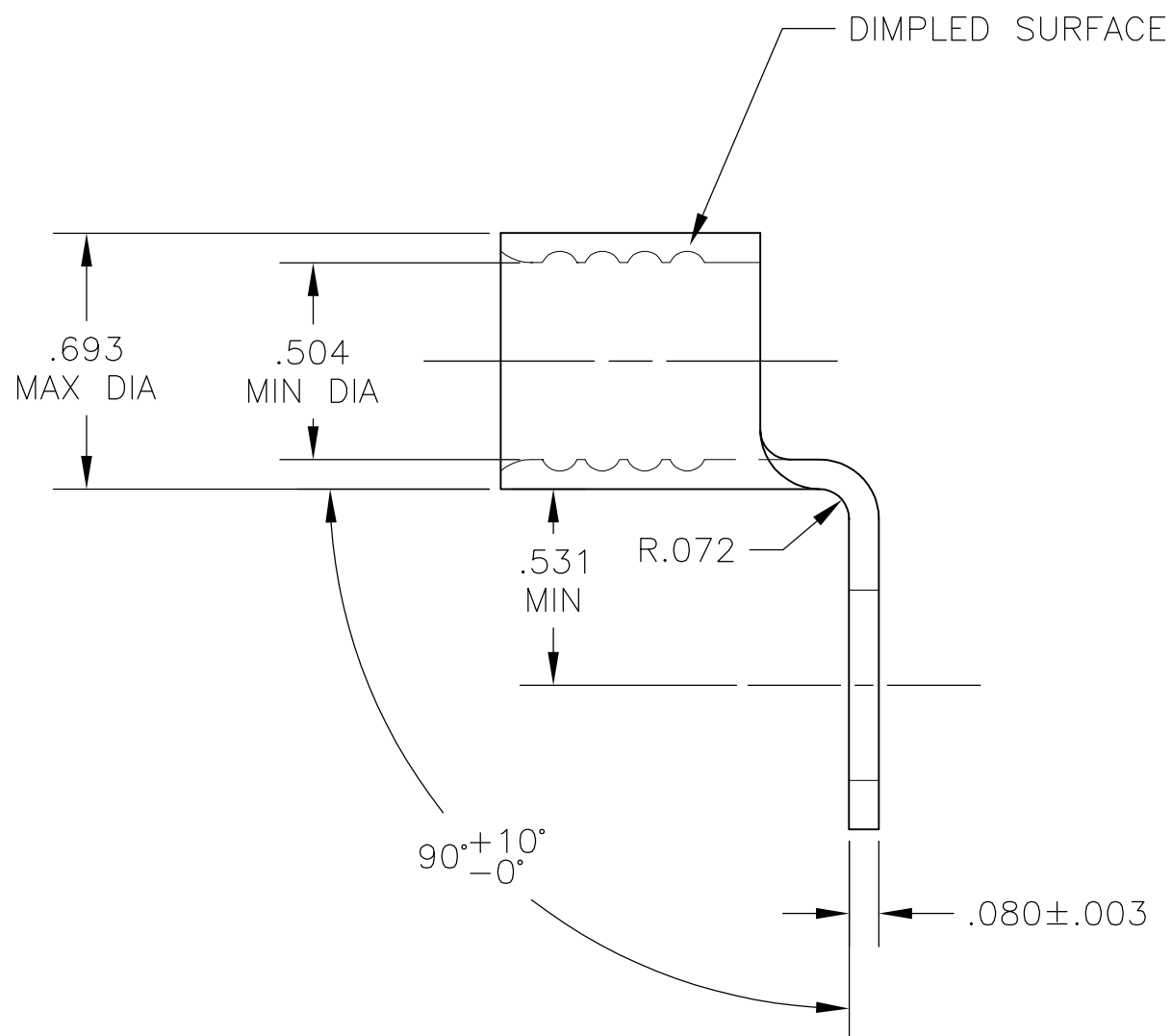
© COPYRIGHT - By -

ALL RIGHTS RESERVED.

LOC G DIST 14

REVISIONS

P	LTR	DESCRIPTION	DATE	DWN	APVD
E1		REVISED PER ECO-12-006198	30MAR12	KH	DR



COPPER PER ASTM B-152 ANNEALED TIN PL PER ASTM B-545	322912
MATERIAL & FINISH	PART NO

THIS DRAWING IS A CONTROLLED DOCUMENT.		DWN JR RUTH 20NOV03	TE Connectivity														
DIMENSIONS: INCHES		CHK MJ SPICER 20NOV03															
TOLERANCES UNLESS OTHERWISE SPECIFIED:		APVD MJ SPICER 20NOV03	NAME														
<table border="1"> <tr><td>0 PLC</td><td>± -</td></tr> <tr><td>1 PLC</td><td>± -</td></tr> <tr><td>2 PLC</td><td>± -</td></tr> <tr><td>3 PLC</td><td>± .008</td></tr> <tr><td>4 PLC</td><td>± -</td></tr> <tr><td>ANGLES</td><td>± 5°</td></tr> </table>		0 PLC	± -	1 PLC	± -	2 PLC	± -	3 PLC	± .008	4 PLC	± -	ANGLES	± 5°	PRODUCT SPEC	WIRE TERMINAL SOLISTRAND, RING TONGUE, BENT 90, WIRE SIZE :2/0		
0 PLC	± -																
1 PLC	± -																
2 PLC	± -																
3 PLC	± .008																
4 PLC	± -																
ANGLES	± 5°																
MATERIAL SEE TABLE		FINISH SEE TABLE	APPLICATION SPEC	SIZE	CAGE CODE	DRAWING NO	RESTRICTED TO										
			WEIGHT -	A3	00779	C-322912	-										
CUSTOMER DRAWING			SCALE 2:1	SHEET 1 OF 1	REV E1												

单击下面可查看定价，库存，交付和生命周期等信息

[>>TE Connectivity\(泰科\)](#)