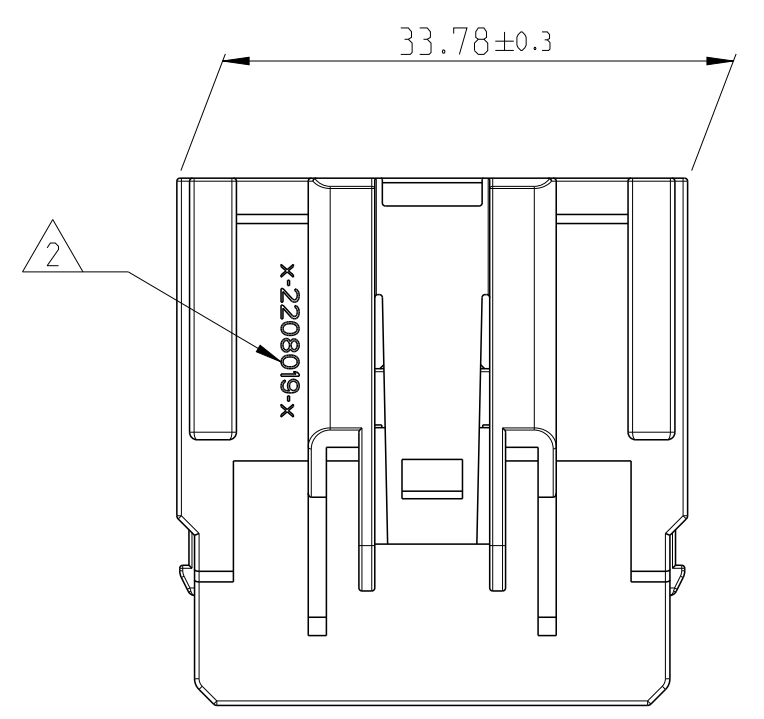
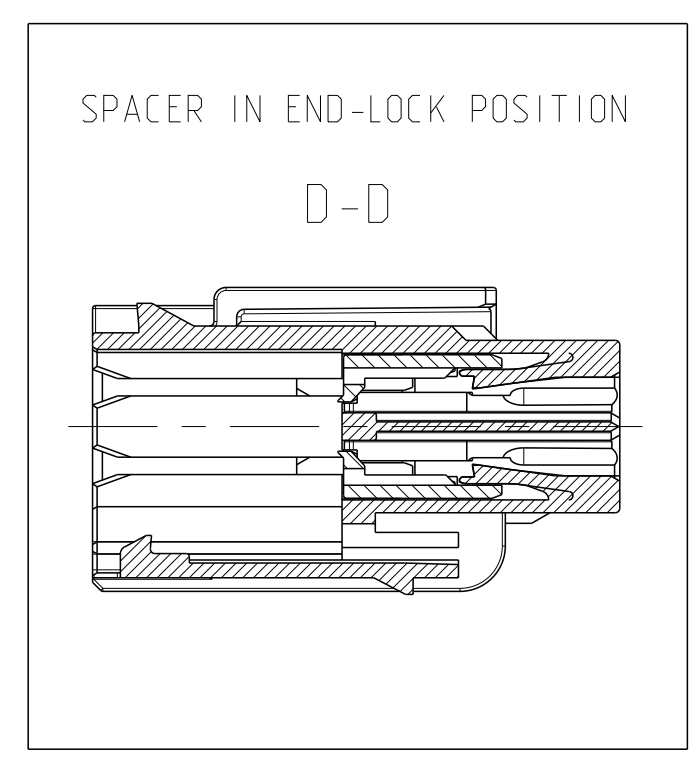
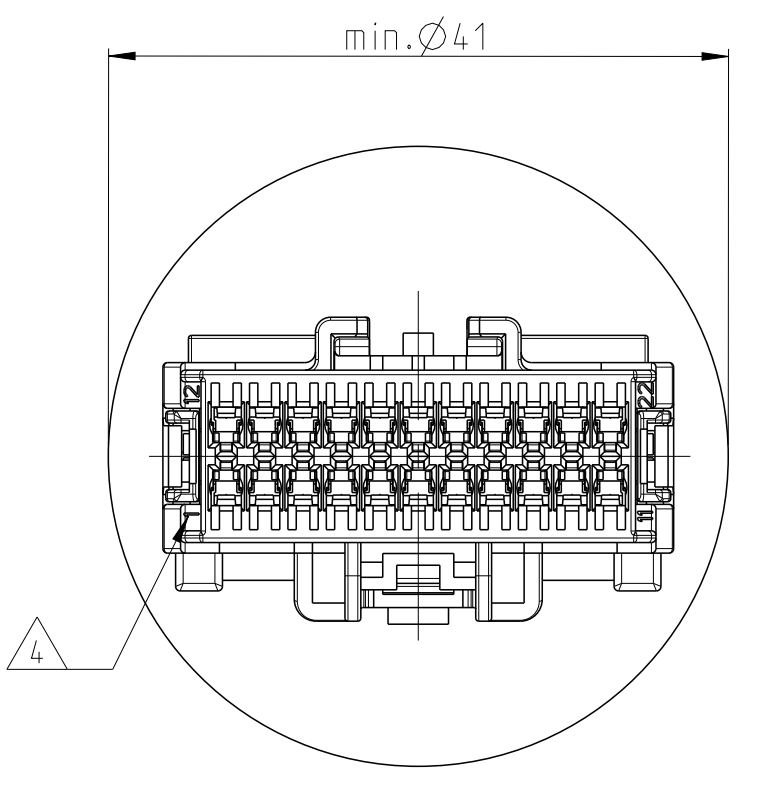
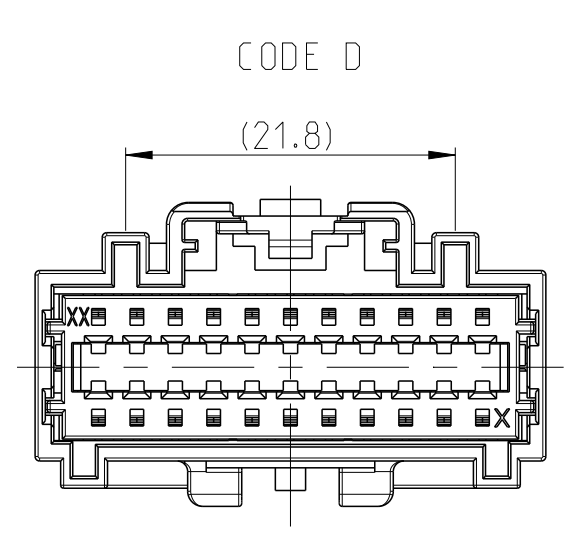
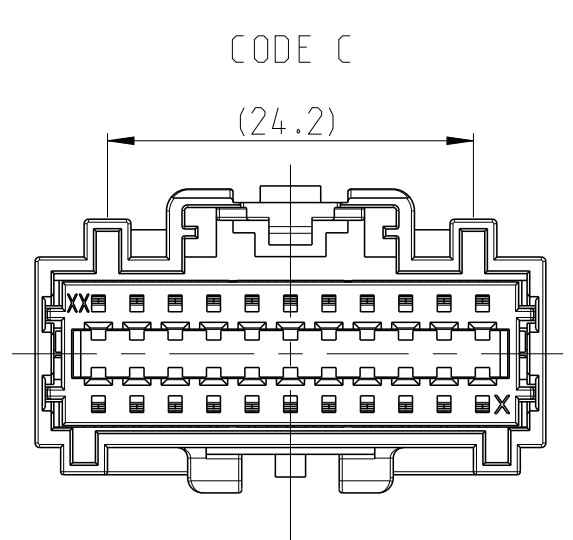
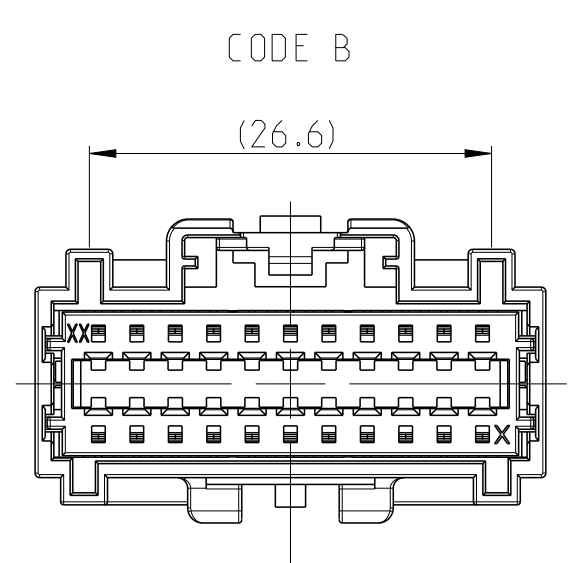
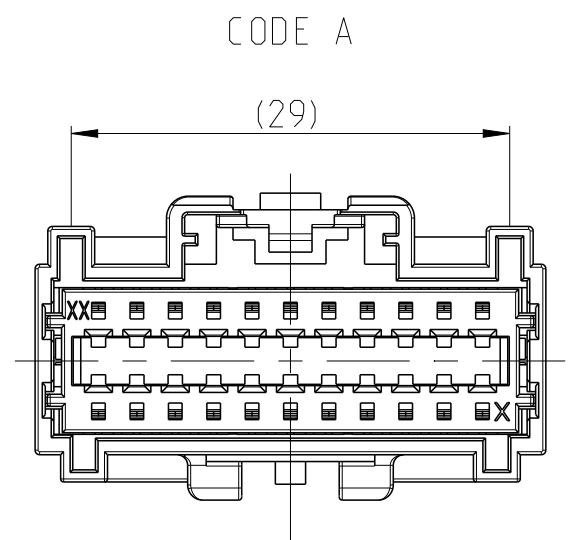


LOC	DIST	REVISIONS			
A1	-	REV	DATE	BY	CHK
		A	02MAY2012	MK	GS
		B1	27NOV2014	MK	GS
		B2	14SEP2015	SH	GS
		B3	03AUG2017	SH	GS

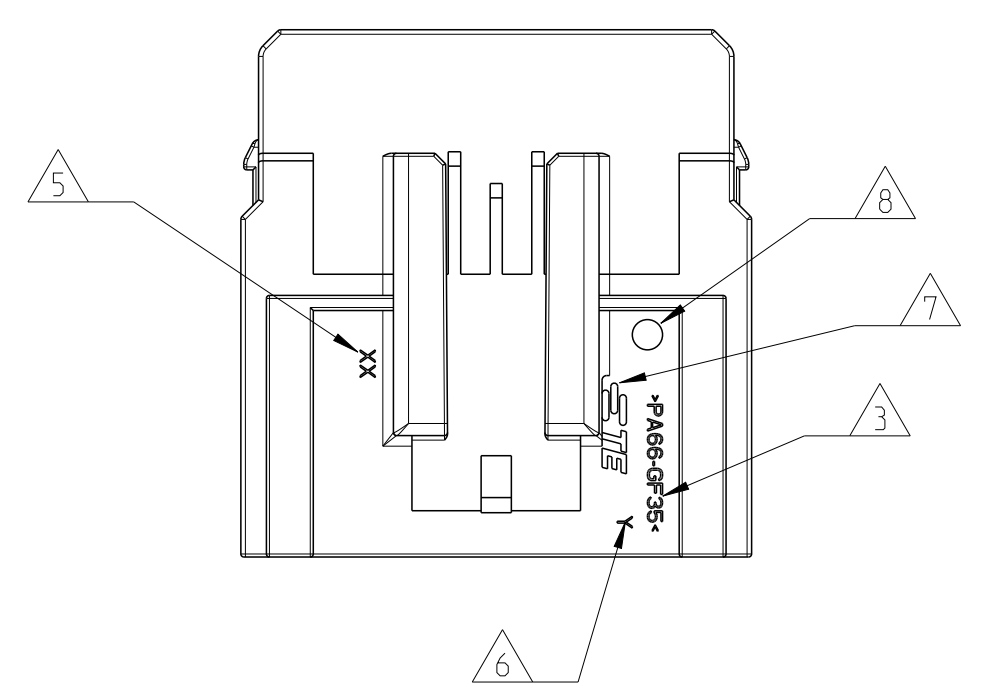
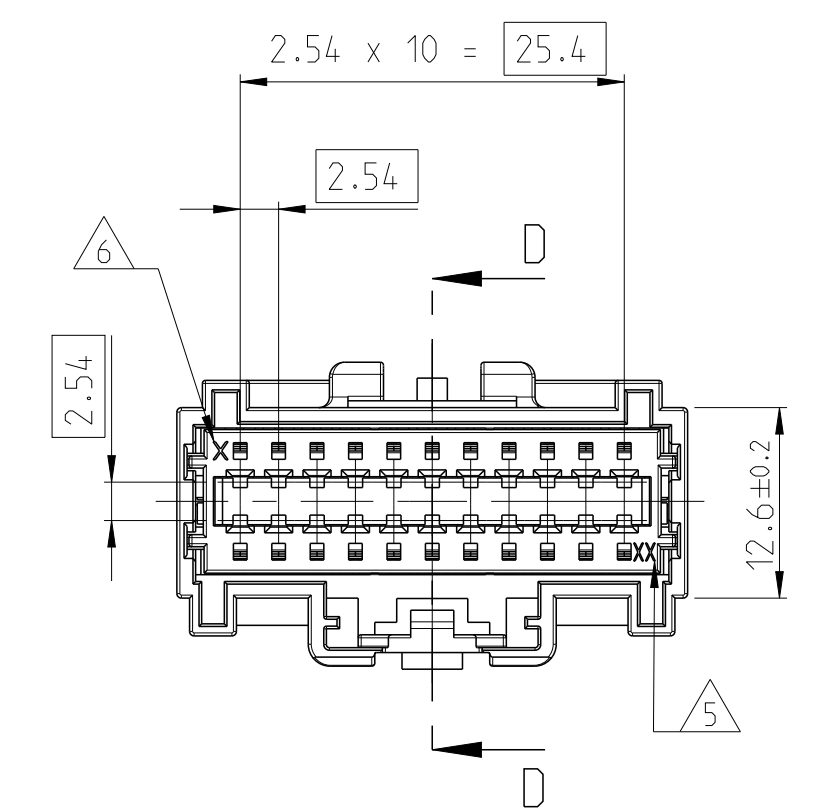
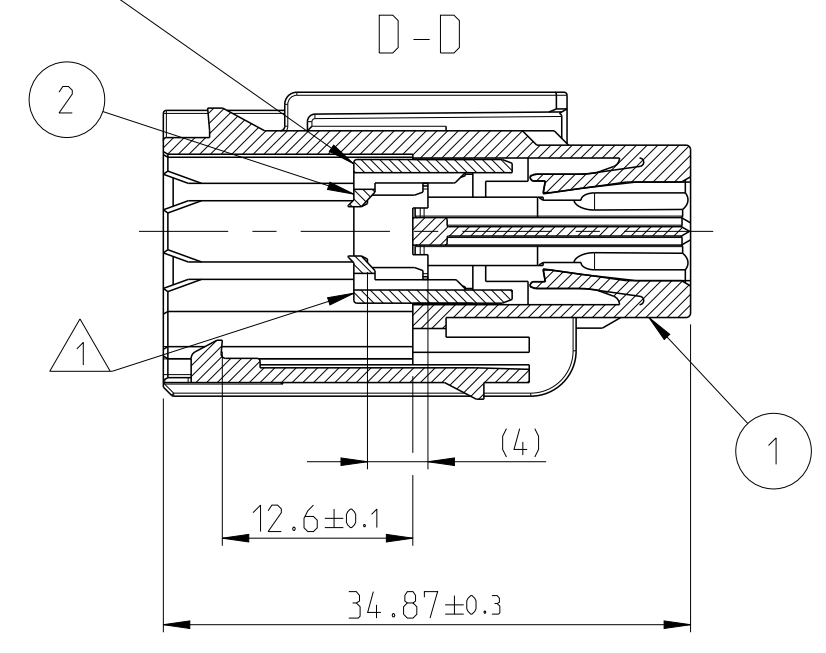


NOTE:

- 1 SPACER IN PRE-LOCK POSITION
- 2 PART NUMBER
- 3 MATERIAL IDENTIFICATION
- 4 TERMINAL POSITION NUMBERS
- 5 PRODUCT REVISION LEVEL
- 6 MOLD CAVITY NUMBER
- 7 COMPANY LOGO
- 8 PRODUCTION DATE
- 9 PACKAGING: CONNECTOR ASSEMBLIES TO BE BULK PACKED IN CARDBOARD BOX



DELIVERY CONDITION:
SPACER IN PRE-LOCK POSITION



REV	ASSY PN	QTY	MATERIAL	DESCRIPTION	COLOUR	ITEM NO
B	2-2208018-4 COD. D	1	PBT-GF30	SPACER	RED	2
B	2-2208018-3 COD. C	1	PA66-GF35	2x11 POS. MALE HSG. COD. D	GREEN	1
B	2-2208018-2 COD. B	1	PA66-GF35	2x11 POS. MALE HSG. COD. C	GREY	1
B	2-2208018-1 COD. A	1	PA66-GF35	2x11 POS. MALE HSG. COD. B	NATURE	1
B	2-2208018-4 COD. D	1	PA66-GF35	2x11 POS. MALE HSG. COD. A	BLACK	1

2-2208018-1 IS SHOWN

THIS DRAWING IS A CONTROLLED DOCUMENT. DWN: M. Kressmann 02MAY2012
 CHK: G. Steinbach 04MAY2012
 TOLERANCES UNLESS OTHERWISE SPECIFIED: DIMENSIONS: mm
 0 PLC ±0.3
 1 PLC ±0.3
 2 PLC ±0.3
 3 PLC ±0.3
 4 PLC ±0.3
 ANGLES ±1
 MATERIAL: - FINISH: - WEIGHT: -
 Customer Drawing

STE TE Connectivity
 NAME: 22 POS. 0.64 MALE GENERATION Y PIN HSG. ASSY
 SIZE: A1 CAGE CODE: 00779 DRAWING NO: 2208018 RESTRICTED TO: -
 SCALE: 2:1 SHEET: 1 OF 1 REV: B3

单击下面可查看定价，库存，交付和生命周期等信息

[>>TE Connectivity\(泰科\)](#)