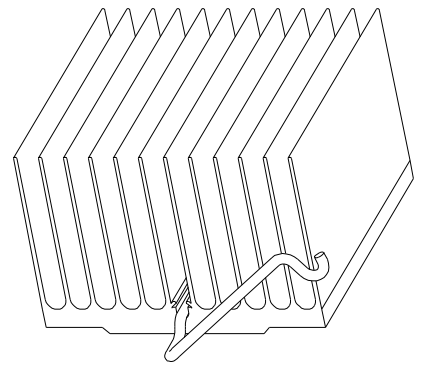
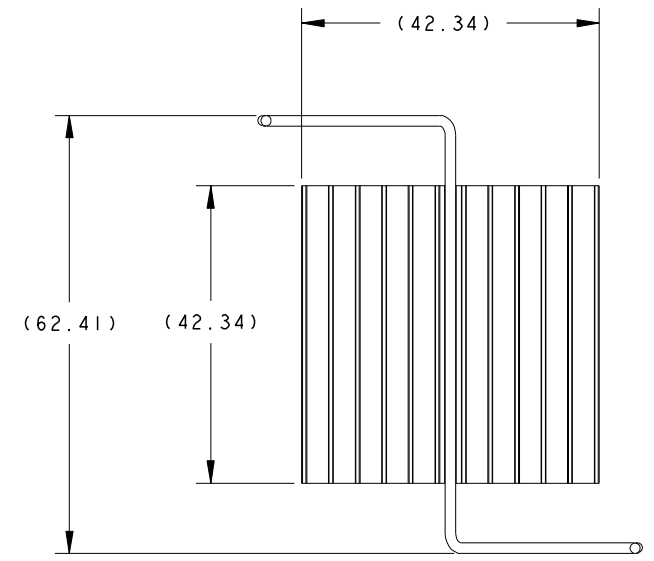


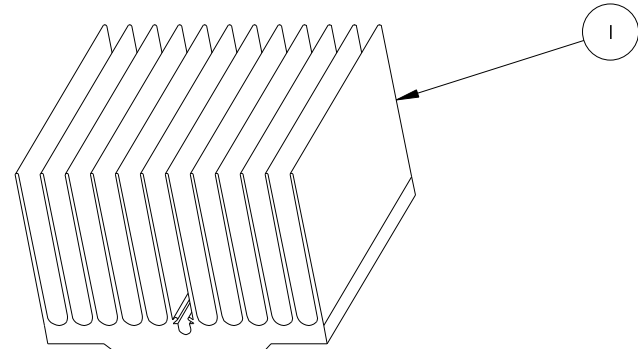
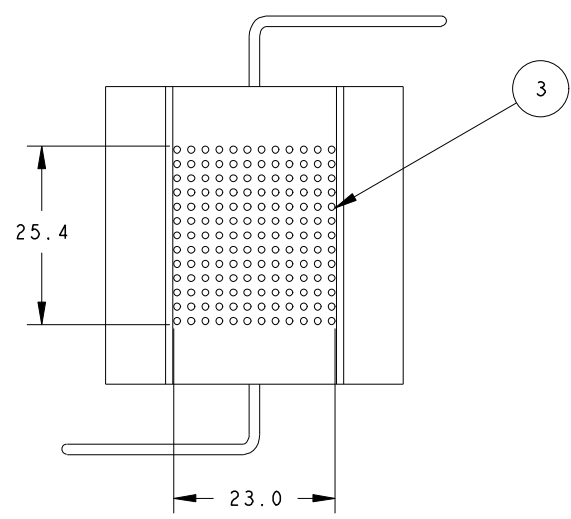
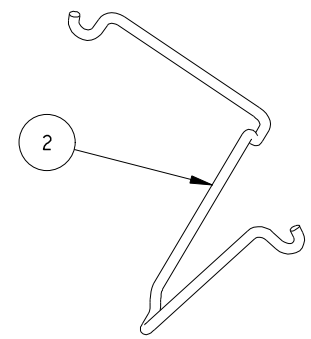
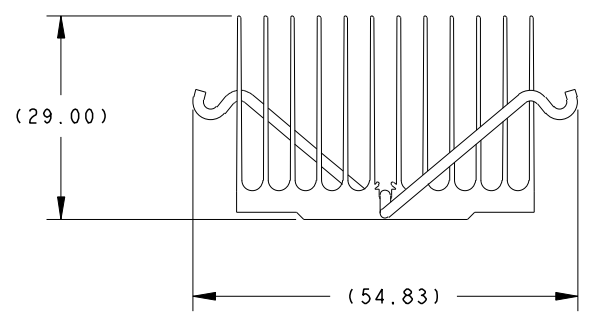
4 3 2 1

D
C
B
A

D
C
B
A



- NOTES:
- UNLESS OTHERWISE SPECIFIED
1. INTERPRET DRAWING PER ASME Y14.5M-1994.
 2. MATERIAL:
BASE: ALUMINUM 6063-T5
CLIP: MUSIC WIRE ASTM A228, NICKEL PLATED
 3. CLIP MUST STAY ATTACHED TO HEAT SINK.
 4. CLIP MUST BE ABLE TO ROTATE 360 DEGREES AFTER CRIMPING PROCESS.
 5. CRIMPING FEATURES MUST BE EQUAL DISTANCE FROM CENTERLINE OF HEATSINK.
 6. RoHS COMPLIANT AND CERTIFIED.
 7. CALCULATED MODELED WEIGHT: 41 GRAMS.



QTY.	DESCRIPTION	ITEM NO.
.1 GR	T.I.M. SHIN-ETSU X23-7783D	3
1	SPRING CLIP	2
1	HEAT SINK, NORTHBRIDGE	1

REV.	DESCRIPTION
1	PRELIMINARY
2	DA 6-2-06
3	APP'D: V.K. 6-2-06
4	RELEASED
5	ECO-07-002414
6	ETAO 1-30-07
7	APP'D: V.K. 1-30-07

CUSTOMER DRAWING
SPECIFICATIONS ARE SUBJECT TO CHANGE WITHOUT NOTICE

tyco Electronics		North Attleboro, Massachusetts 02760	
UNLESS OTHERWISE SPECIFIED TOLERANCES ARE:	DRAWN BY: D. AMARAL	DATE: 6-2-06	MATERIAL: N/A
X, X ± 1	ENGINEER: V. KHEIL	DATE: 6-2-06	FINISH: N/A
X, XX ± .5	FILENAME: C-4-1542012-5	PROJECT: PROE	
X, XXX ± .25			
ANGLES ± 2°			

CONFIDENTIAL PROPERTY OF TYCO ELECTRONICS. NOT TO BE DISCLOSED TO OTHERS. REPRODUCED OR USED FOR ANY PURPOSES EXCEPT AS AUTHORIZED IN WRITING BY AN AUTHORIZED OFFICIAL OF TYCO. MUST BE RETURNED TO TYCO ON DEMAND, ON COMPLETION OF ORDERS OR OTHER PURPOSES FOR WHICH LENT.		TITLE: HEAT SINK AND CLIP ASM, NORTH BRIDGE, THERMAL GREASE	
DIMENSIONS ARE IN: MILLIMETERS	SCALE: 1:5:1	TYCO PART NO.: 4-1542012-5	SHEET 1 of 1
THIRD ANGLE PROJECTION	SIZE: C	DWG. NO.: C-4-1542012-5	REV. A

单击下面可查看定价，库存，交付和生命周期等信息

[>>TE Connectivity\(泰科\)](#)