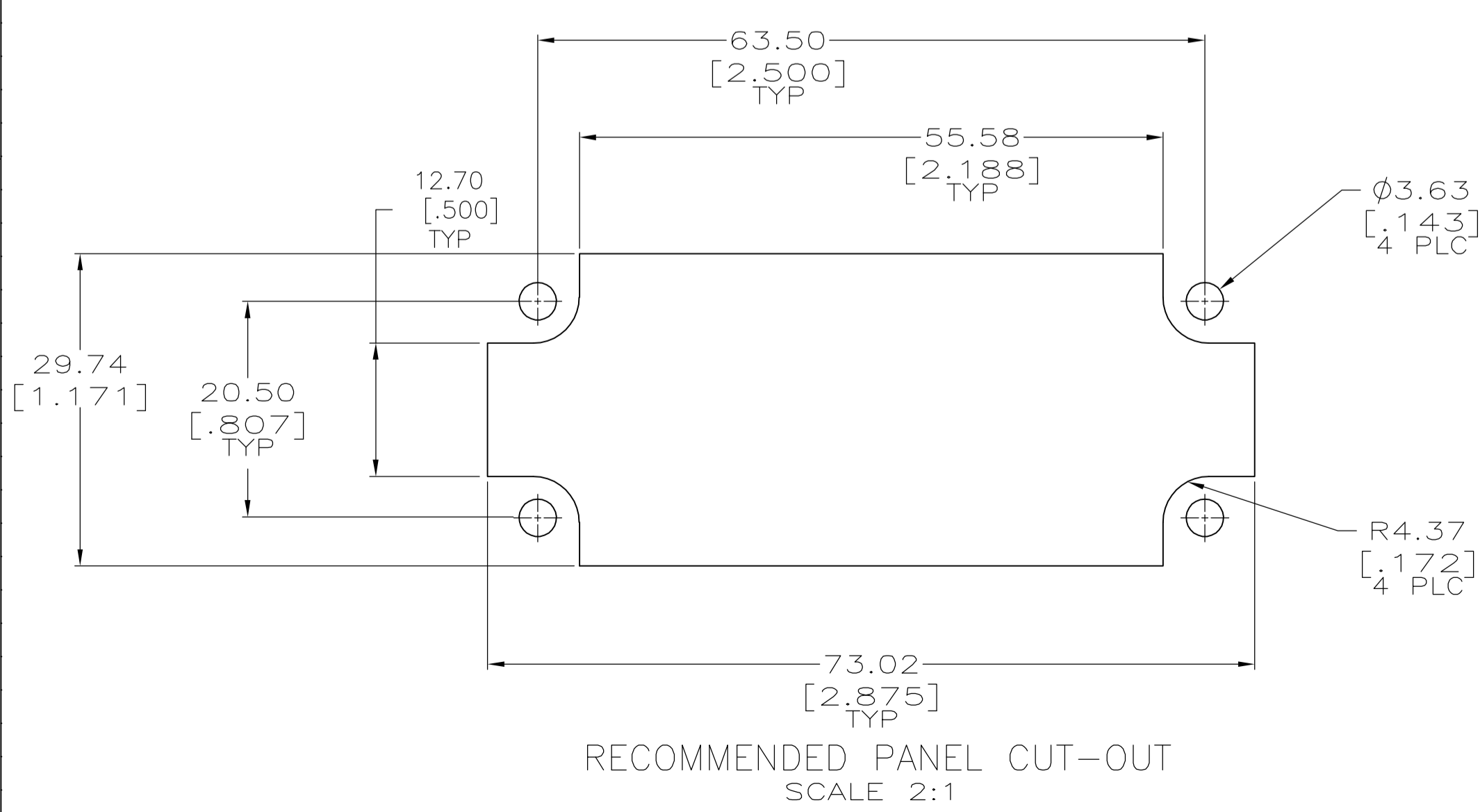
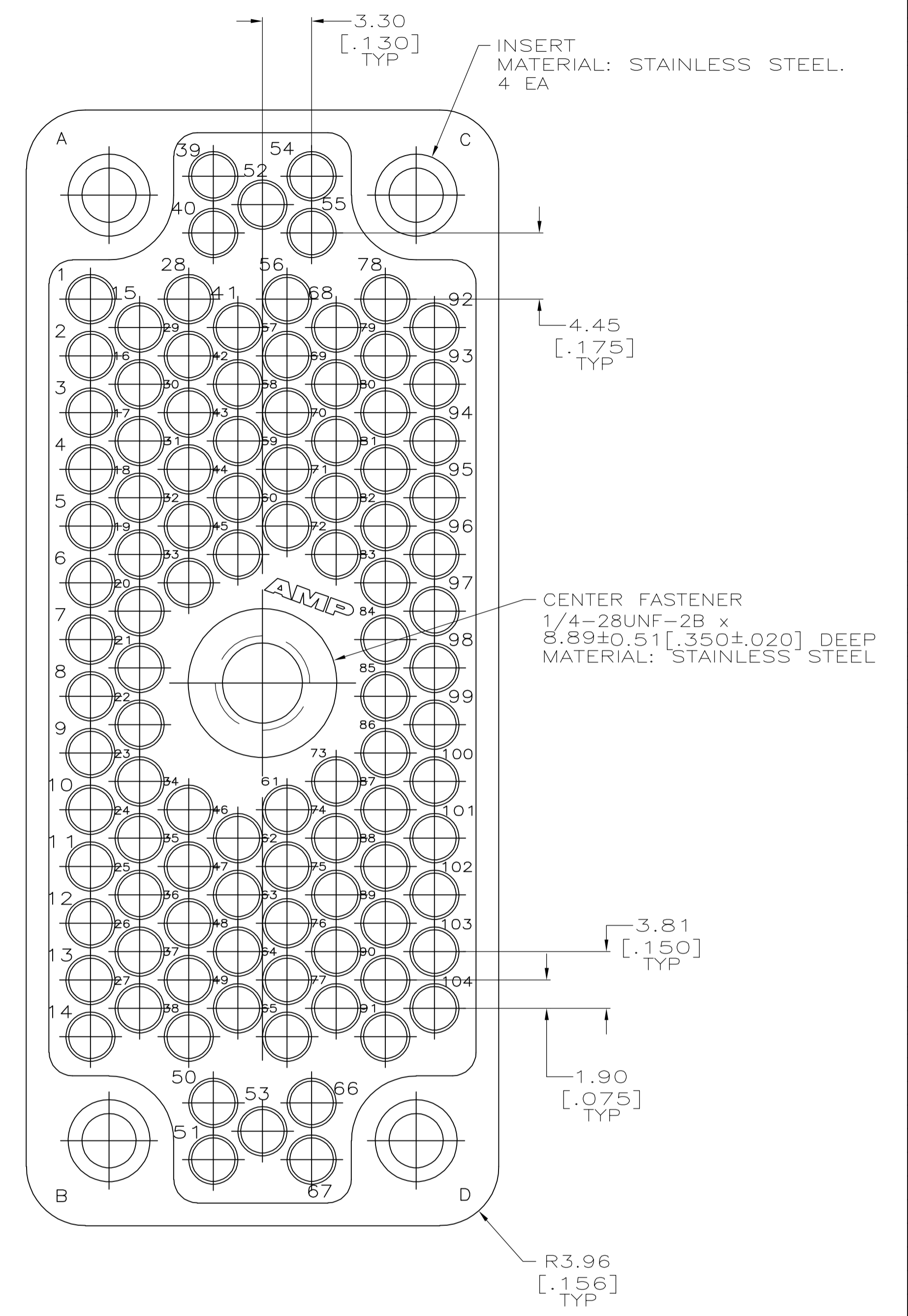
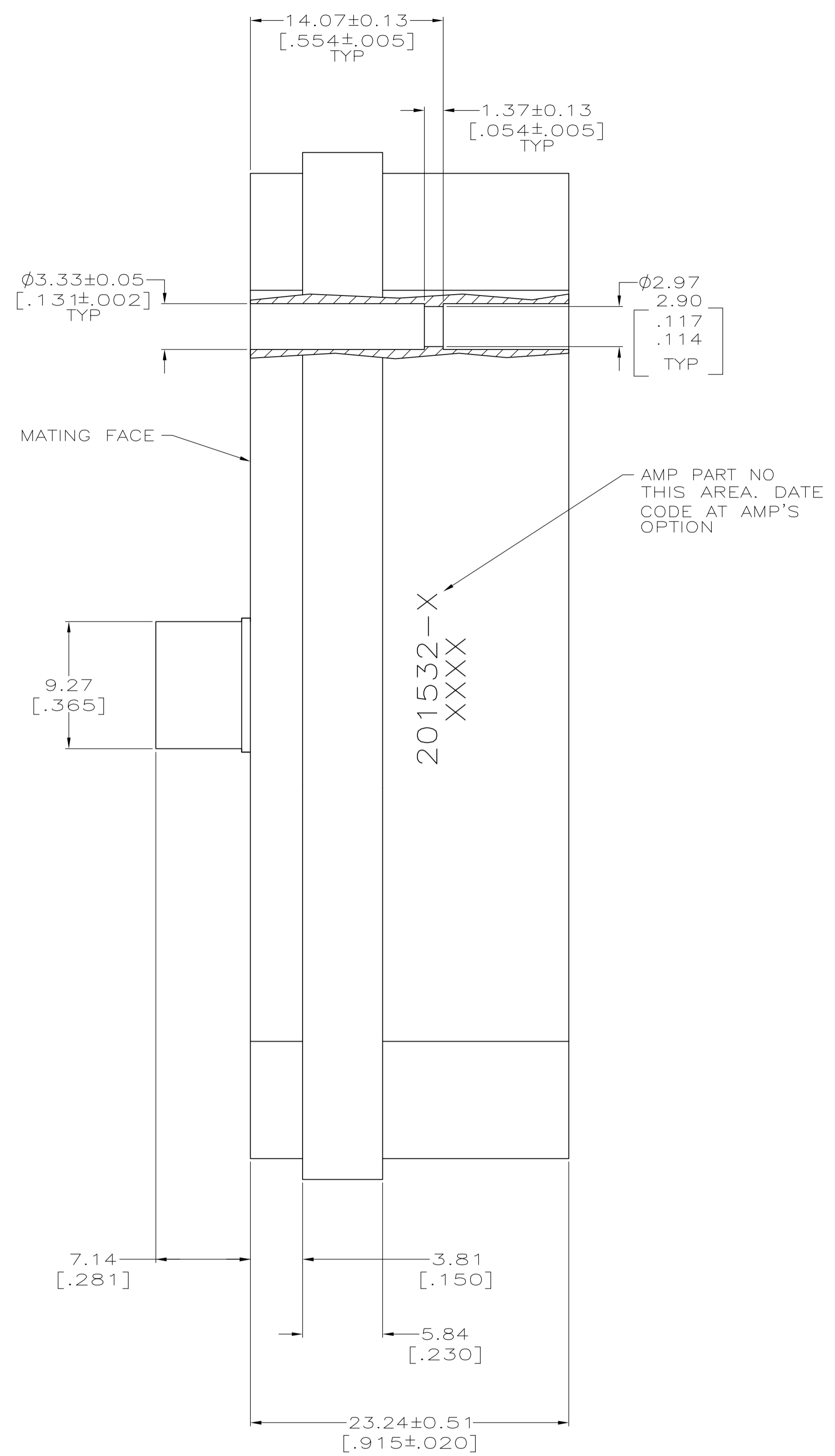
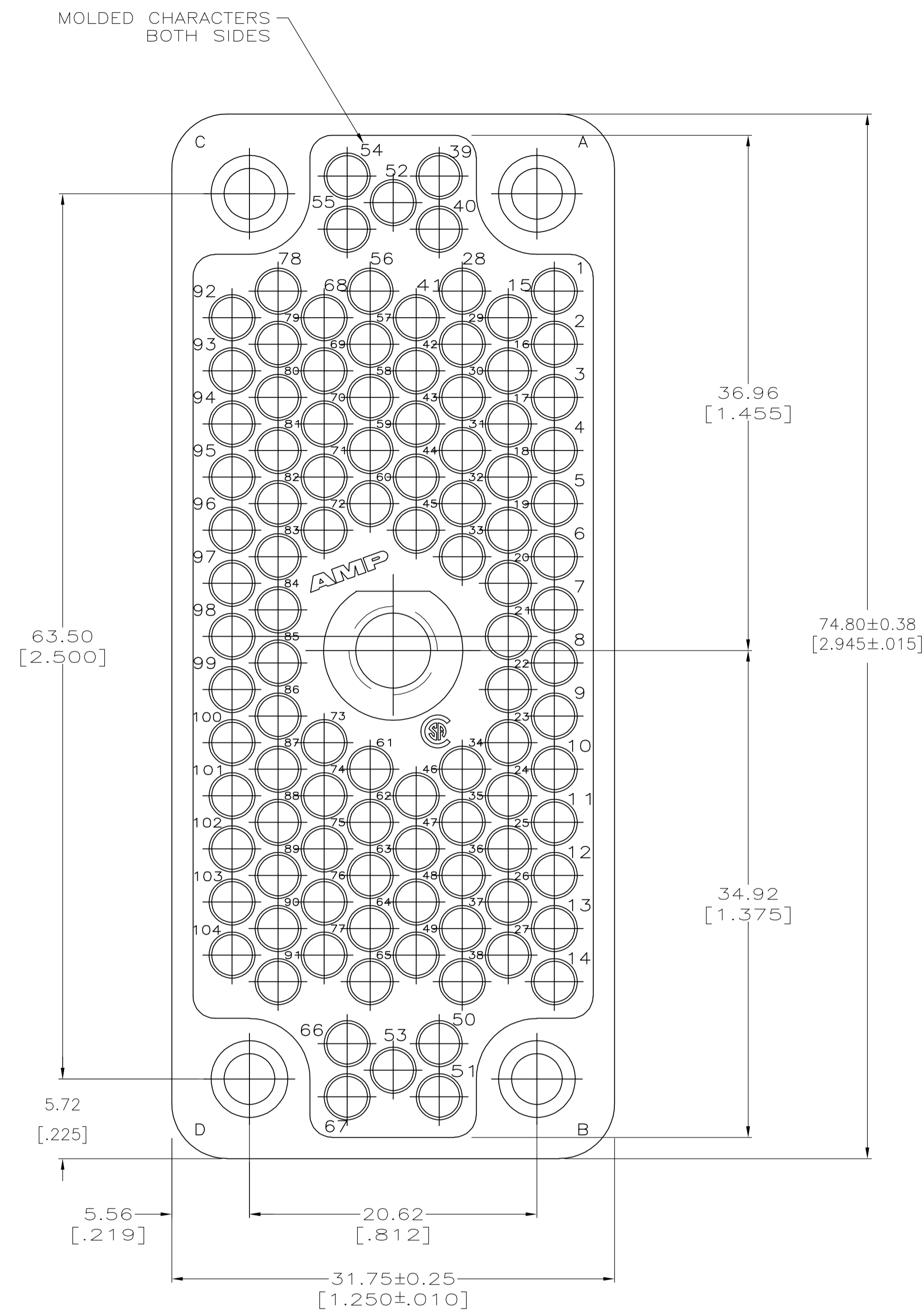


LOC		DIST		REVISIONS			
F	L/R	DESCRIPTION	DATE	DNW	APVD		
V		REVISED PER ECO-07-004229	2/23/07	SS	GS		



- △ DIALLYL PHTHALATE PER MIL-M-14-F, TYPE SDG-F, BLUE.
- △ PHENOLIC PER MIL-M-14-F, TYPE MFH, BLACK.
- 3. ACCOMODATES TYPE II OR TYPE III SIZE #16 CONTACTS.

△	201532-4
△	201532-2
MATERIAL	PART NUMBER

THIS DRAWING IS A CONTROLLED DOCUMENT.		DWN C. REIFSNYDER 28 JUN 96		tyco Tyco Electronics Corporation	
DIMENSIONS: mm [INCHES]		CHK R. STONE 13 MAR 96		Harrisburg, PA 17105-3608	
TOLERANCES UNLESS OTHERWISE SPECIFIED:		APVD G.A. STEINHAEUER 25 JUN 96		RECEPTACLE HOUSING, M SERIES	
0 PLC	± -	PRODUCT SPEC		SIZE CAGE CODE DRAWING NO	
1 PLC	± -	APPLICATION SPEC		A1 00779 C=201532	
2 PLC	± 0.38[015]	WEIGHT		RESTRICTED TO	
3 PLC	± -	CUSTOMER DRAWING		SCALE 4:1 SHEET 1 OF 1 REV V	
4 PLC	± -				
ANGLES	± -				
FINISH	-				

单击下面可查看定价，库存，交付和生命周期等信息

[>>TE Connectivity\(泰科\)](#)