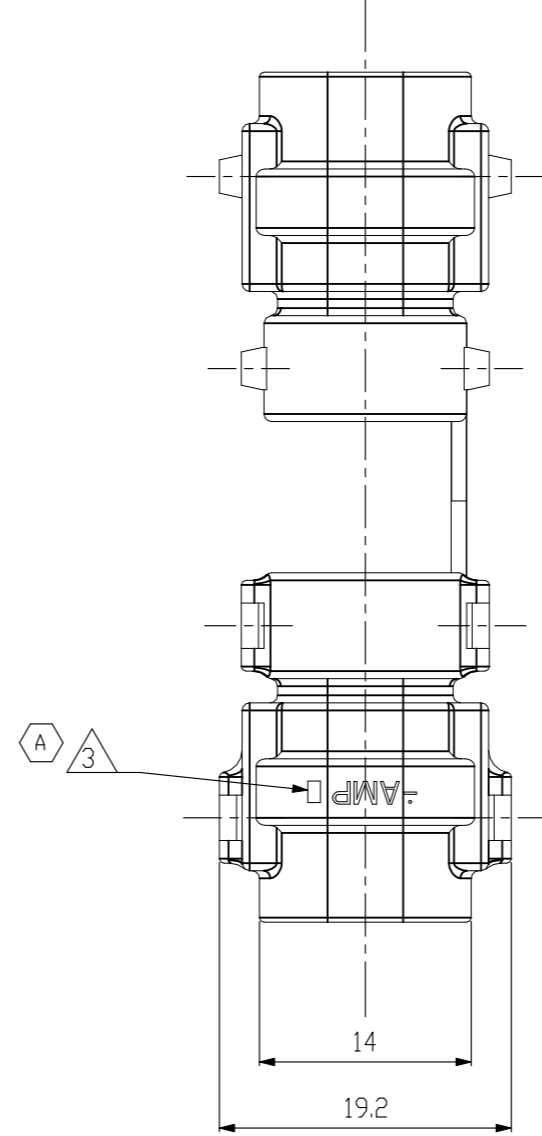
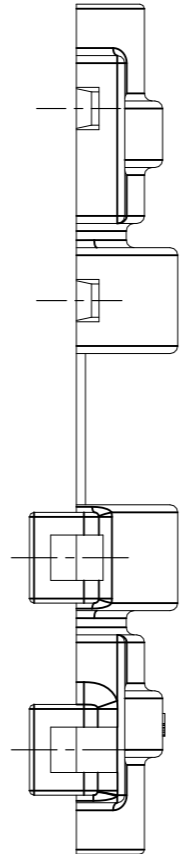
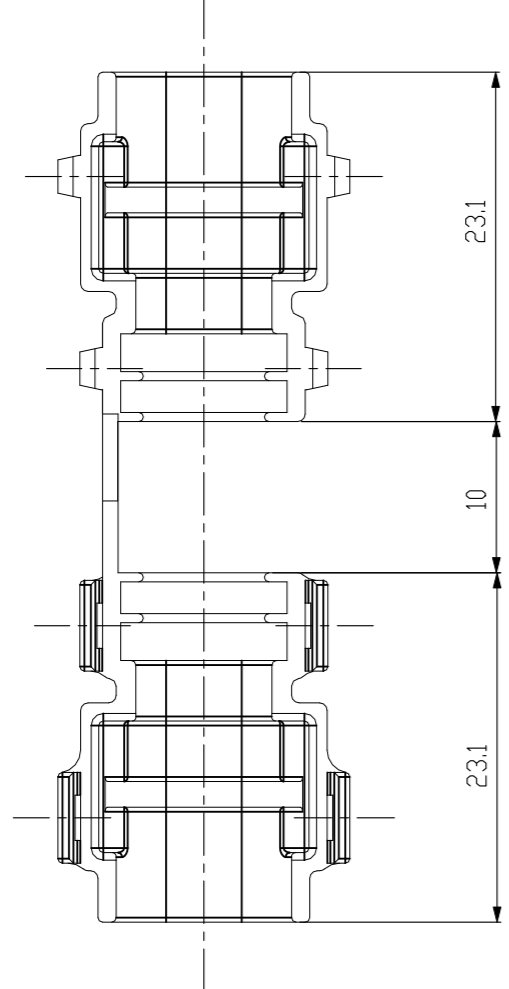
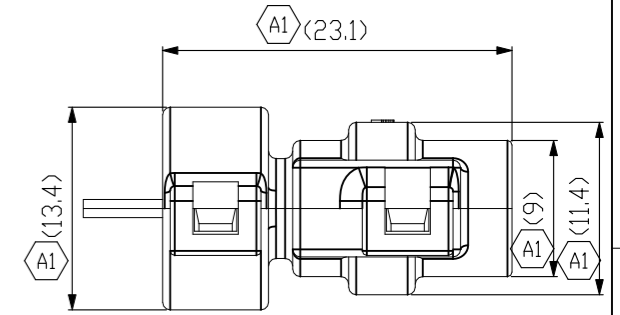
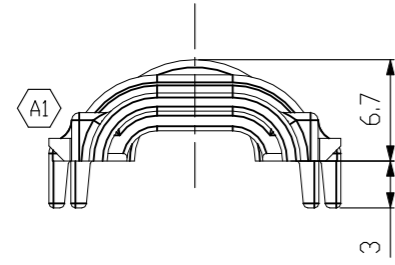


REVISIONS

P	LTR	DESCRIPTION	DATE	DWN	APVD
	A1	REVISED(ECR-21-115736)	30SEP2021	DH	YJ



NOTE
 1. APPLICABLE CORRUGATOR DIMETER : $\varnothing 7.0$
 2. APPLICABLE PLUG HSG P/N : 936059-1
 3. CAVITY MARK LOCATION

NO	COLOR	DESCRIPTION	MATERIAL	P/N
1	BLACK	COVER HSG	PA66	936111-1

THIS DRAWING IS A CONTROLLED DOCUMENT.		DWN JY BAE		TE Connectivity	
DIMENSIONS: mm		CHK JK SONG			
TOLERANCES UNLESS OTHERWISE SPECIFIED:		APVD YM CHOI		NAME COVER HSG FOR 2.8mm SEALED 2P PLUG	
0 PLC 0XXX10 ± 0.2 1 PLC 10XXX20 ± 0.25 2 PLC 30XXX ± 0.3 3 PLC ± 4 PLC ANGLES ± 3		PRODUCT SPEC		-	
MATERIAL SEE TABLE		FINISH		APPLICATION SPEC -	
		WEIGHT 0		SIZE A3	CAGE CODE 00779
		CUSTOMER DRAWING		DRAWING NO C-936111	RESTRICTED TO -
		SCALE 2:1		SHEET 1 OF 1	REV A1

单击下面可查看定价，库存，交付和生命周期等信息

[>>TE Connectivity\(泰科\)](#)