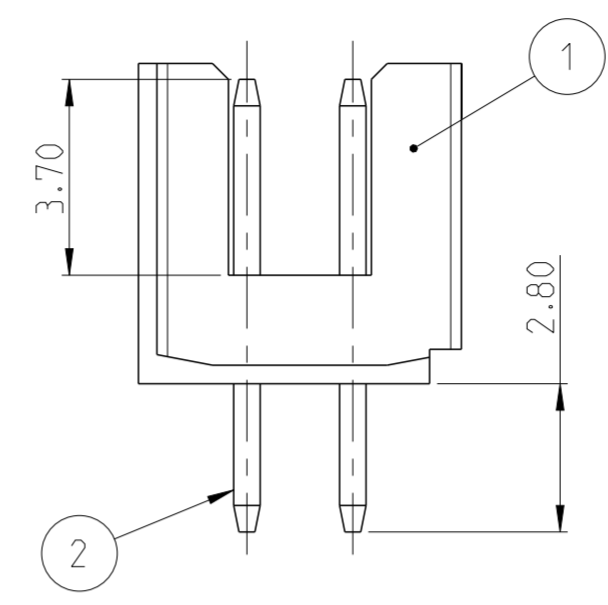
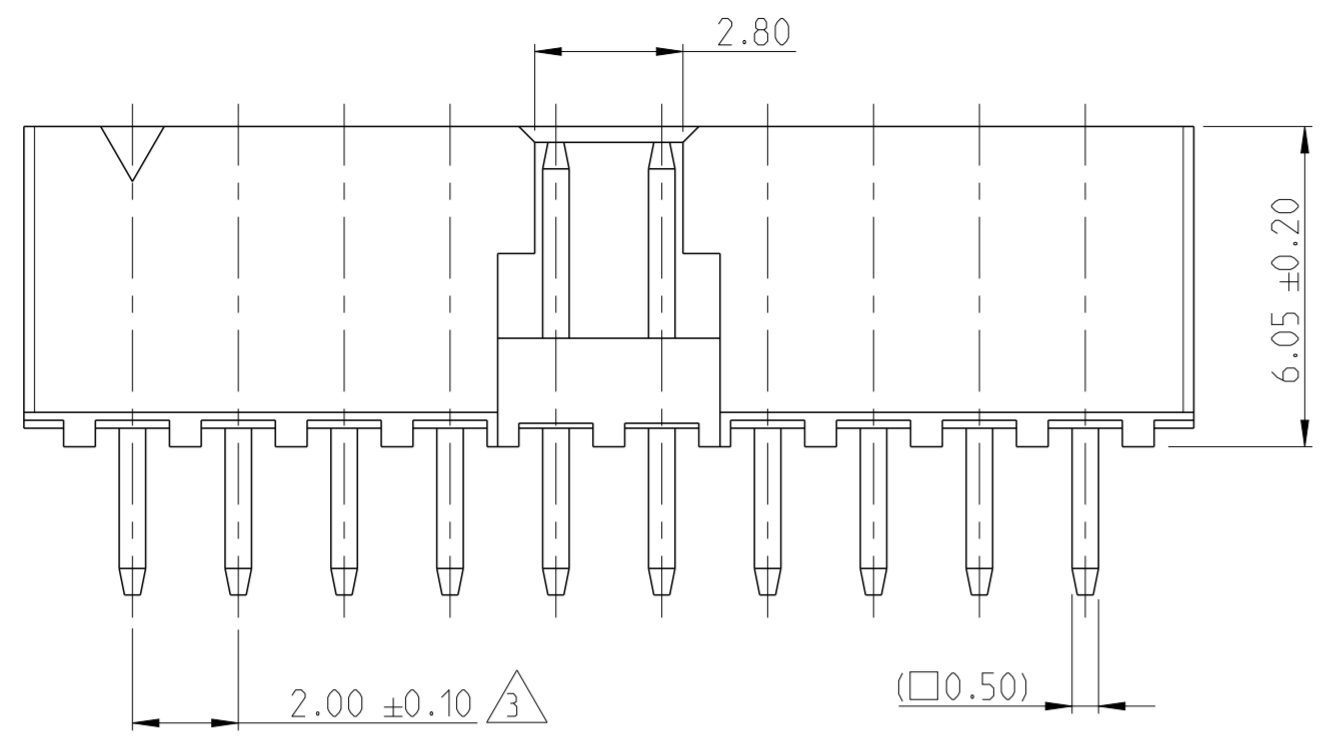
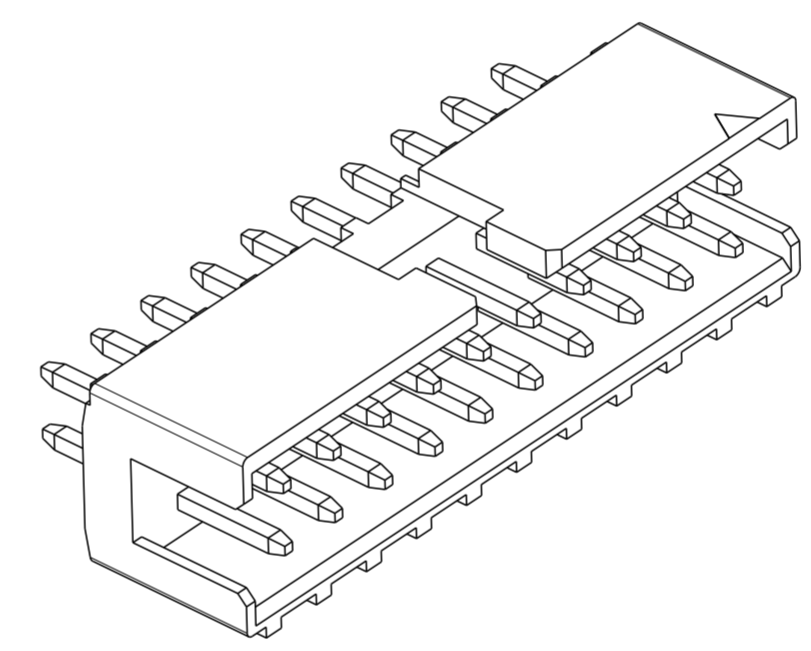
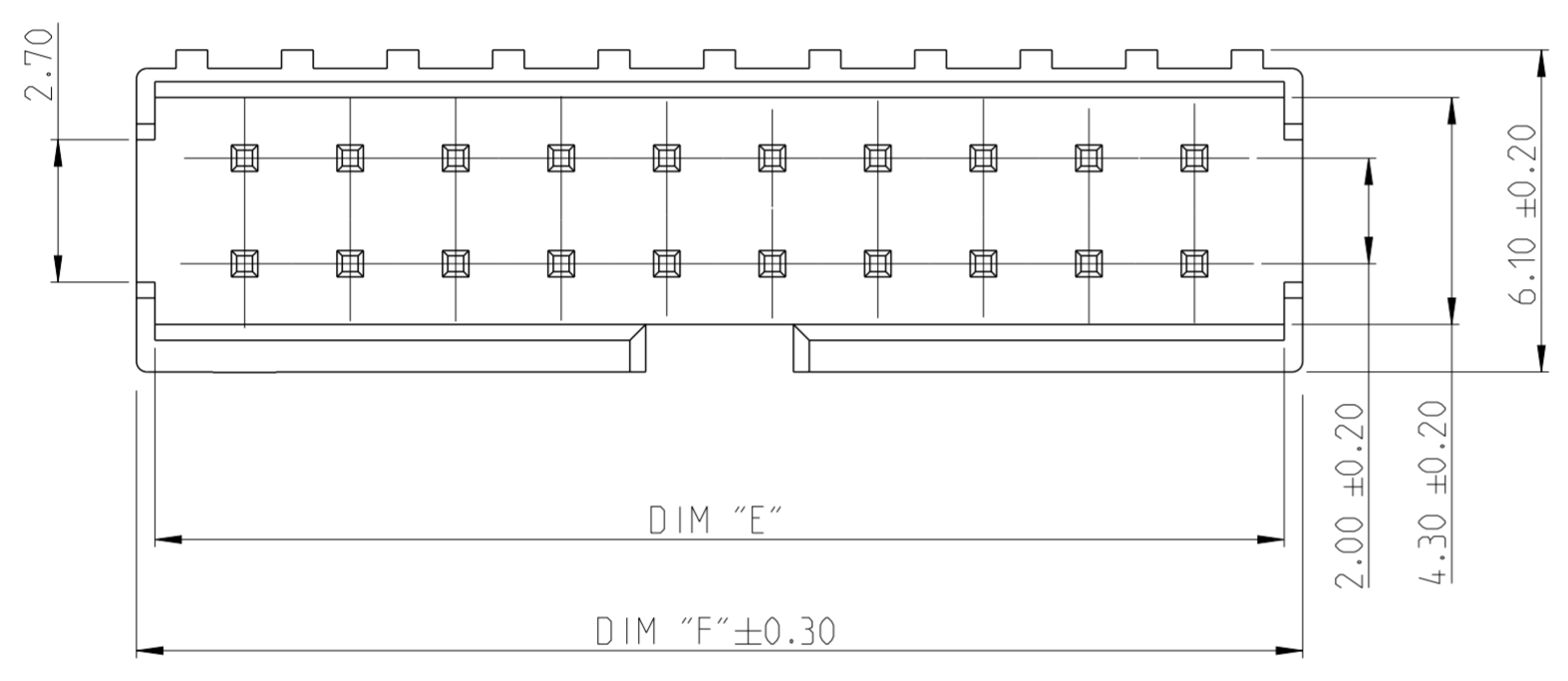


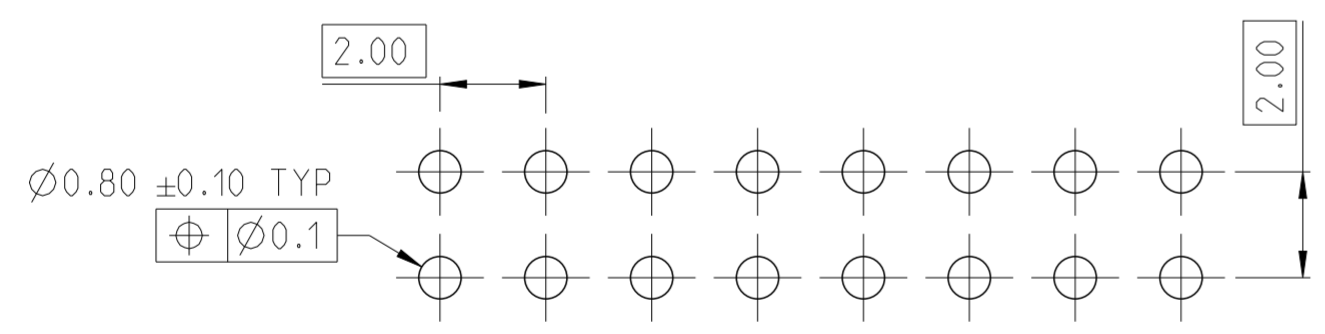
REVISIONS					
P	LTR	DESCRIPTION	DATE	DWN	APVD
	A	RELEASE TO PRODUCTION	09DEC2019	AY	PS
	A1	REMOVE POSITION 4	04JUN2020	AY	PS



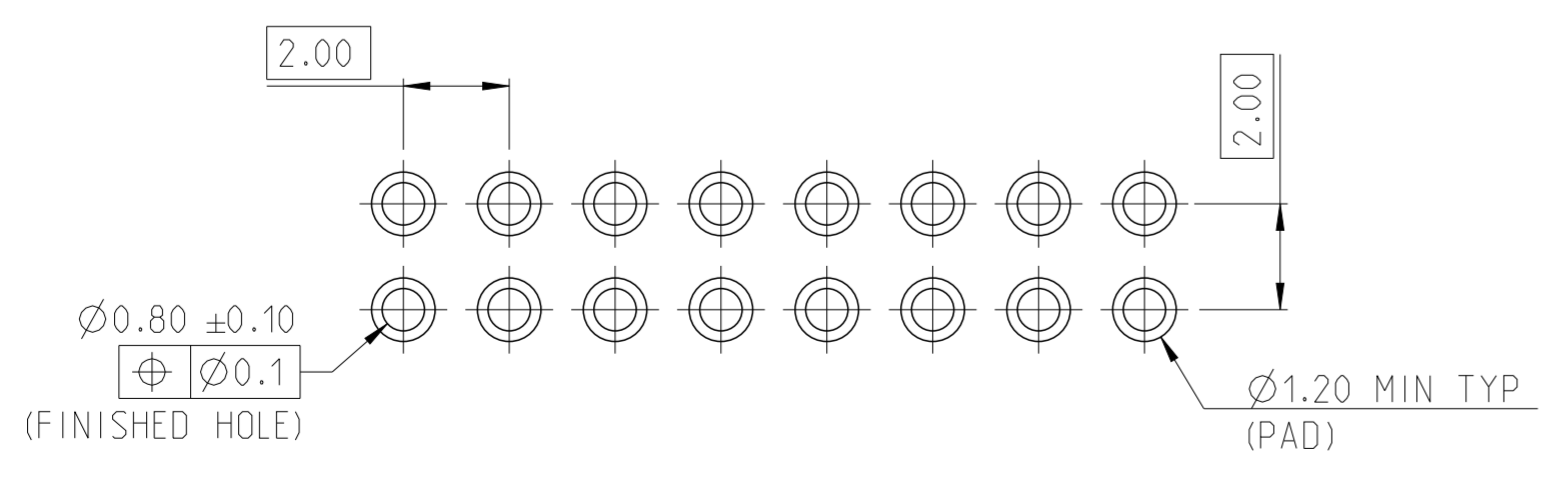
- NOTES:
- MATERIAL
 HOUSING : HIGH TEMPERATURE THERMOPLASTIC, UL94-V0; COLOR- BLACK
 POST : COPPER ALLOY
 FINISH :
 MATING SIDE: MIN. 0.38 μm GOLD OVER NICKEL UNDER PLATING.
 SOLDER SIDE: MIN. 2.0 μm TIN OVER NICKEL UNDER PLATING.
 - PACKAGING: TUBE
- △ TOLERANCE NOT CUMULATIVE.



52.10	51.40	50	5-2842283-0
50.10	49.40	48	4-2842283-8
48.10	47.40	46	4-2842283-6
46.10	45.40	44	4-2842283-4
44.10	43.40	42	4-2842283-2
42.10	41.40	40	4-2842283-0
40.10	39.40	38	3-2842283-8
38.10	37.40	36	3-2842283-6
36.10	35.40	34	3-2842283-4
34.10	33.40	32	3-2842283-2
32.10	31.40	30	3-2842283-0
30.10	29.40	28	2-2842283-8
28.10	27.40	26	2-2842283-6
26.10	25.40	24	2-2842283-4
24.10	23.40	22	2-2842283-2
22.10	21.40	20	2-2842283-0
20.10	19.40	18	1-2842283-8
18.10	17.40	16	1-2842283-6
16.10	15.40	14	1-2842283-4
14.10	13.40	12	1-2842283-2
12.10	11.40	10	1-2842283-0
10.10	9.40	8	2842283-8
8.10	7.40	6	2842283-6
DIM "F"	DIM "E"	POS.	TE PN.



RECOMMENDED PCB HOLE PATTERN FOR THROUGH HOLE WAVE



RECOMMENDED PCB HOLE PATTERN FOR THROUGH HOLE REFLOW/PIN-IN-PASTE

2-2842283-0 AS SHOWN

CONTACT PIN	2
HOUSING	1
DESCRIPTION	ITEM NO.
THIS DRAWING IS A CONTROLLED DOCUMENT.	
DIMENSIONS: mm	TOLERANCES UNLESS OTHERWISE SPECIFIED:
0 PLC ±	1 PLC ±
2 PLC ±0.25	3 PLC ±
4 PLC ±	ANGLES ±2°
MATERIAL SEE NOTES	FINISH SEE NOTES

DWN ANKIT YADAV 11NOV2019	 TE Connectivity	NAME AMPMODU 2mm SHROUDED HEADER DUAL ROW, VERTICAL TH. 0.38 Au, TUBE.		
CHK KARTHIK JK 25NOV2019				
APVD PRASHANTH S. 27NOV2019				
PRODUCT SPEC 108-64040	SIZE A2	CAGE CODE 00779	DRAWING NO C-2842283	RESTRICTED TO -
APPLICATION SPEC 114-32259	SCALE 5:1	SHEET 1 OF 1	REV A1	
WEIGHT -	CUSTOMER DRAWING			

单击下面可查看定价，库存，交付和生命周期等信息

[>>TE Connectivity\(泰科\)](#)