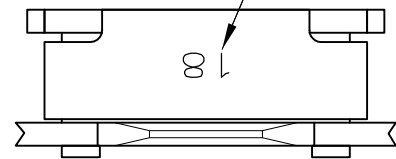


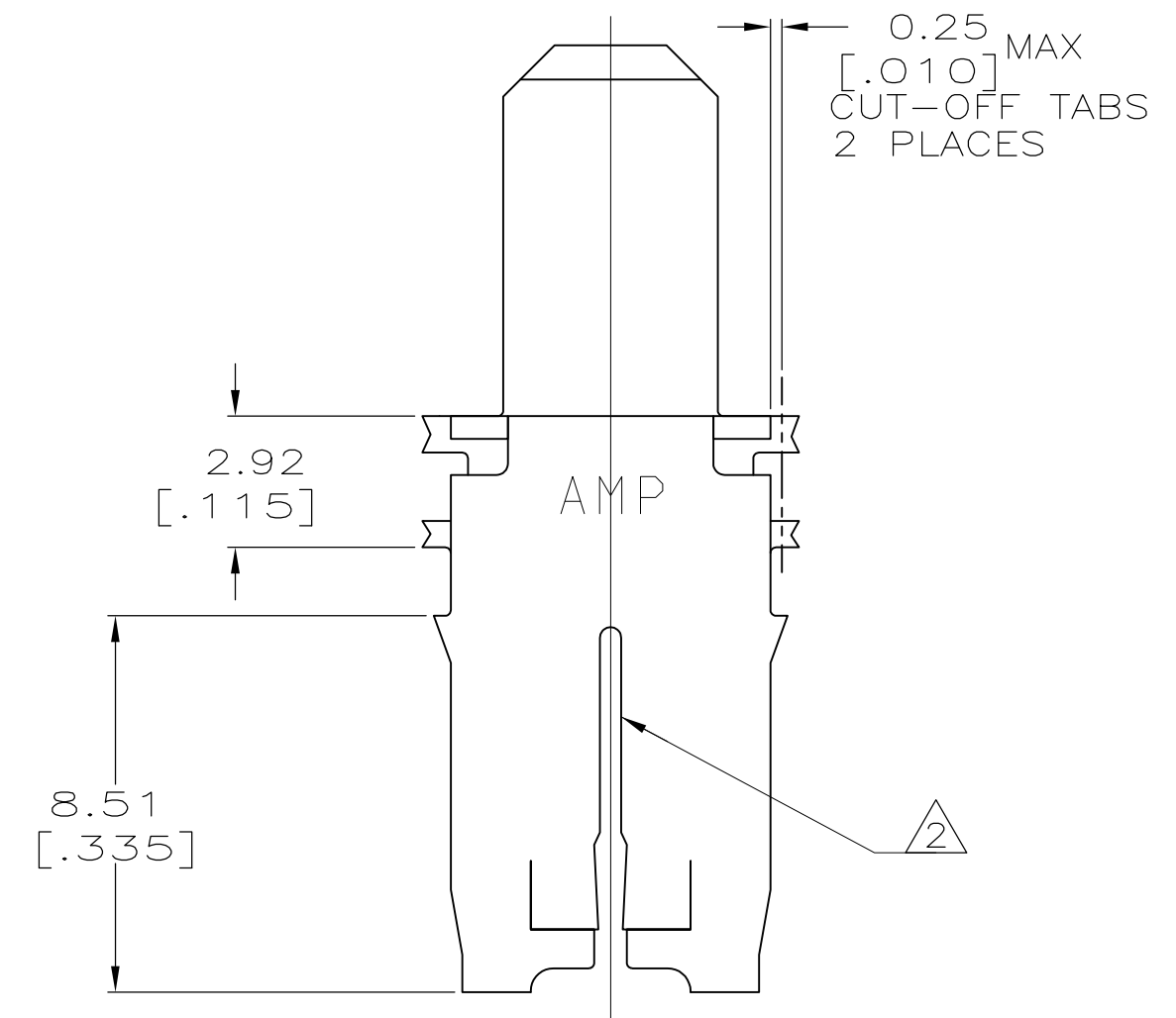
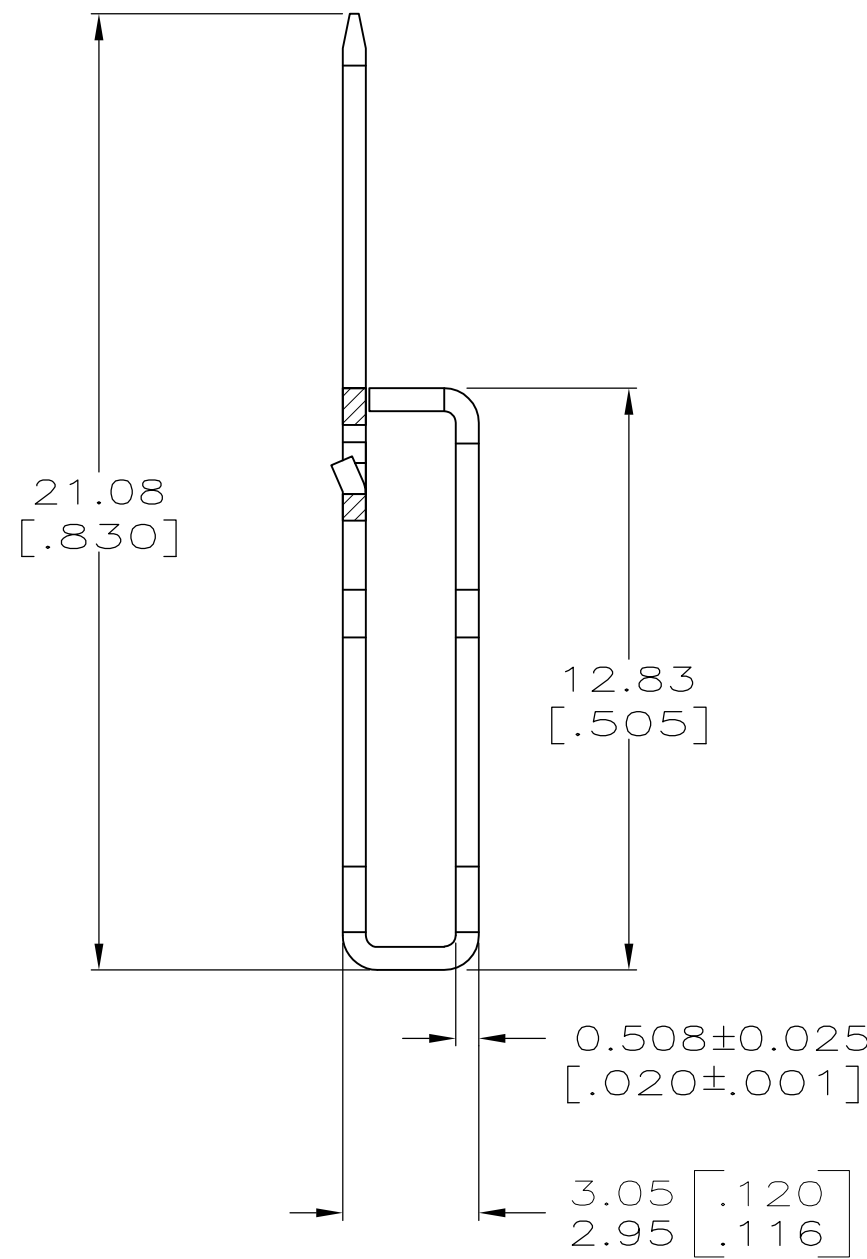
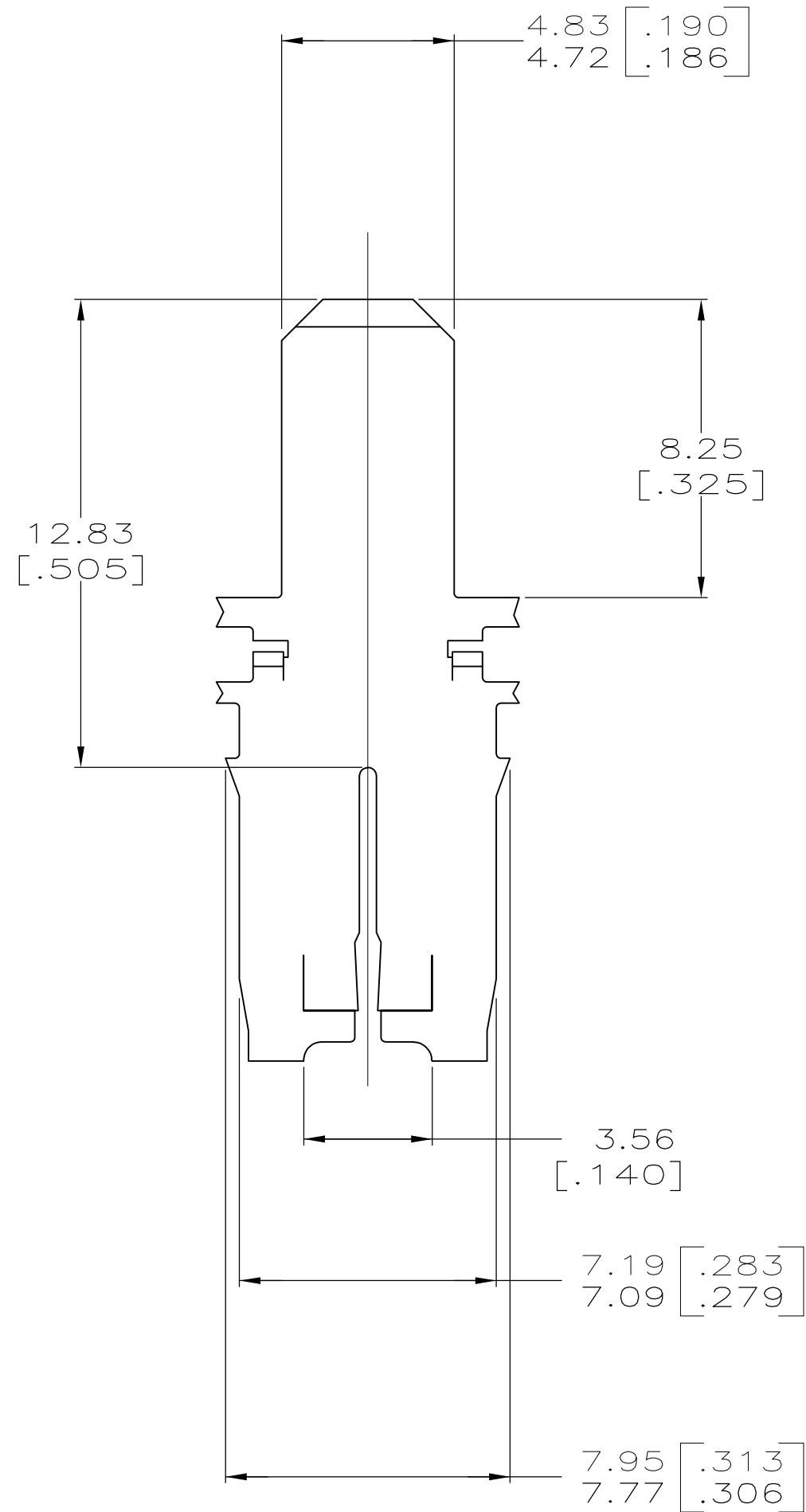
THIS DRAWING IS UNPUBLISHED. RELEASED FOR PUBLICATION .19
 © COPYRIGHT 19 BY AMP INCORPORATED. ALL RIGHTS RESERVED.

LOC		DIST		REVISIONS			
P	LTR	DESCRIPTION		DATE	DWN	APVD	
	D	ECR-13-008483		08AUG13	CX	DZ	

IDENTIFICATION NUMBER 18
FOR MAGNET WIRE RANGE



- 1 CONTINUOUS STRIP ON REELS WITH TERMINALS LOCATED ON 8.38±0.08 [.330±.003] CENTERS.
- △2 SLOT ACCEPTS 0.64-0.81mm [#22-#20] AWG COPPER MAGNET WIRE. 2 WIRES OF THE SAME SIZE MAX PER SLOT.
- △4 TIN PLATE
- △5 REVERSE REELED.



△5 1217491-1
PART NUMBER

THIS DRAWING IS A CONTROLLED DOCUMENT.		DWN MICHAEL S. FEHER 20SEP2000	AMP Incorporated Harrisburg, PA 17105-3608	
DIMENSIONS: mm[INCHES]		CHK KURT A. RANDOLPH 21SEP2000	NAME KURT A. RANDOLPH 21SEP2000	
TOLERANCES UNLESS OTHERWISE SPECIFIED:		APVD KURT A. RANDOLPH 21SEP2000	PRODUCT SPEC 108-2012	
0 PLC ±- 1 PLC ±- 2 PLC ±0.25[.010] 3 PLC ±- 4 PLC ±- ANGLES ±- ±-		APPLICATION SPEC 114-2066	SIZE A2	CAGE CODE 00779
MATERIAL 4M BRASS		FINISH △4	WEIGHT -	DRAWING NO 1217491
CUSTOMER DRAWING			RESTRICTED TO -	SCALE 6:1
			SHEET 1 OF 1	REV D

单击下面可查看定价，库存，交付和生命周期等信息

[>>TE Connectivity\(泰科\)](#)