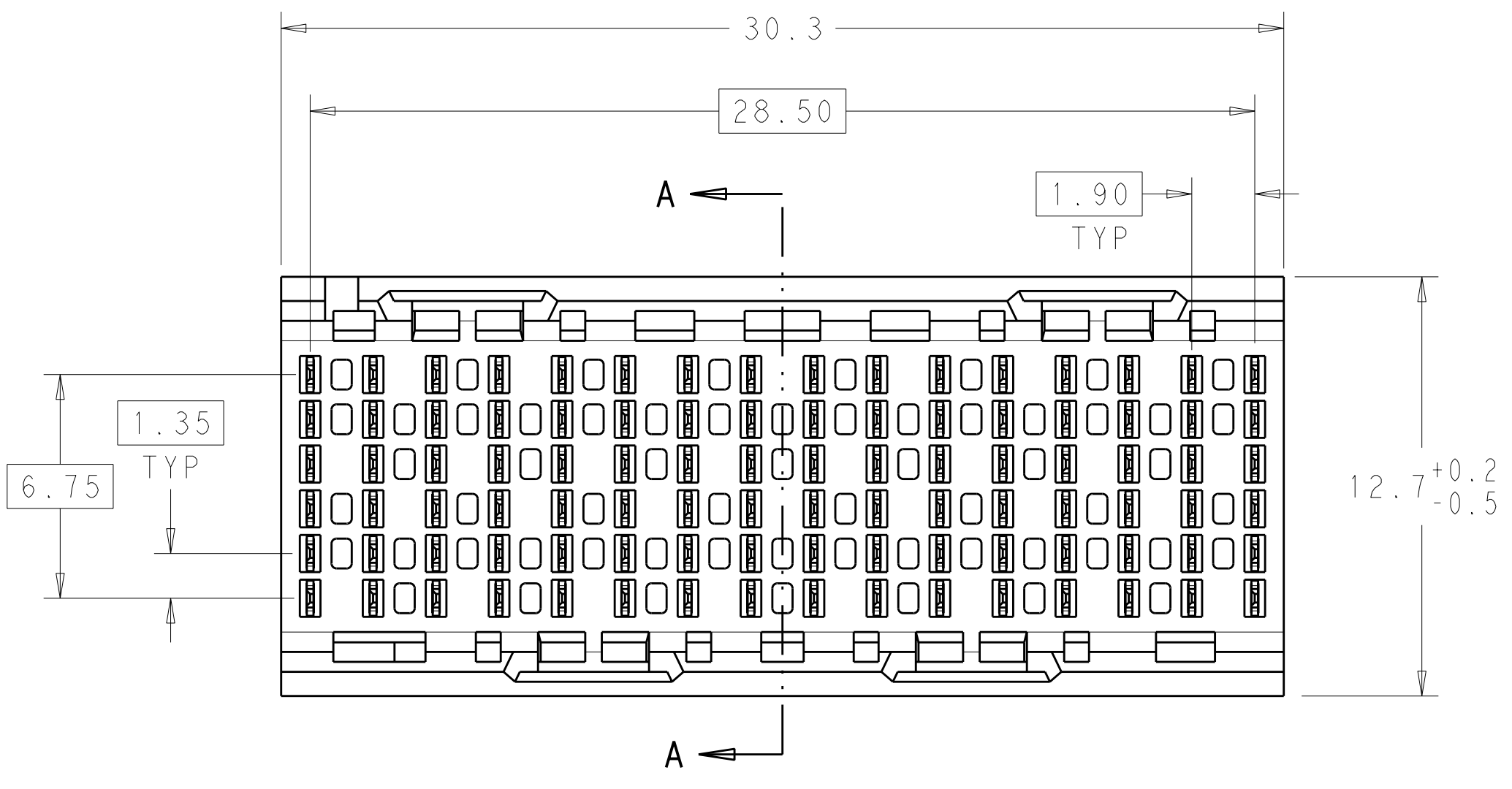
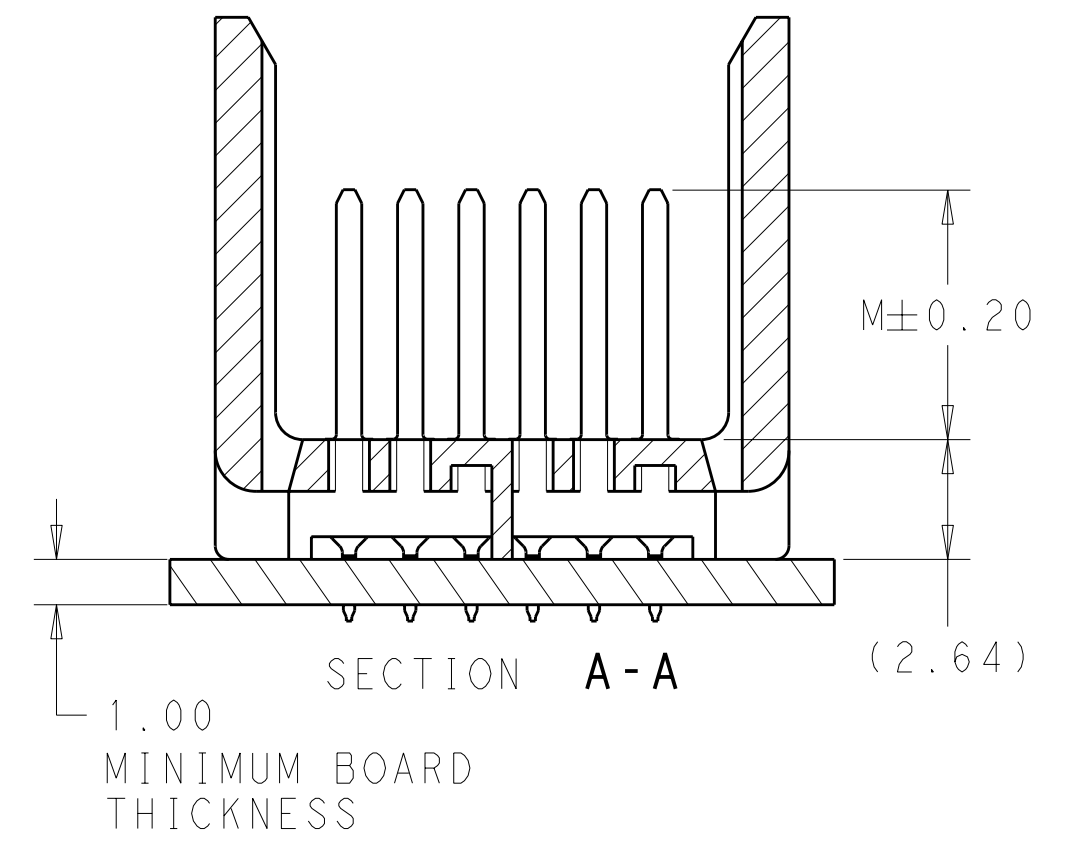
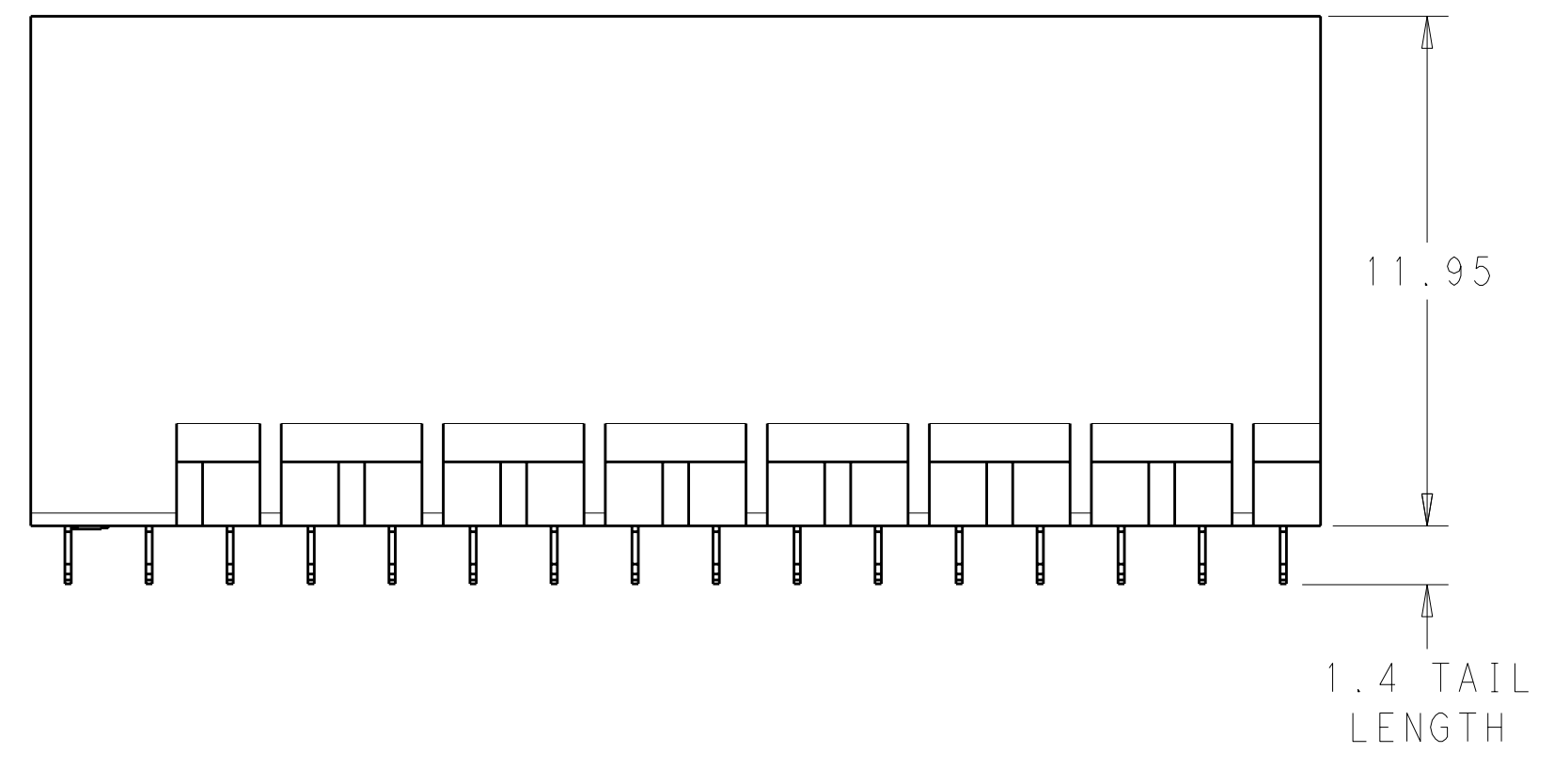
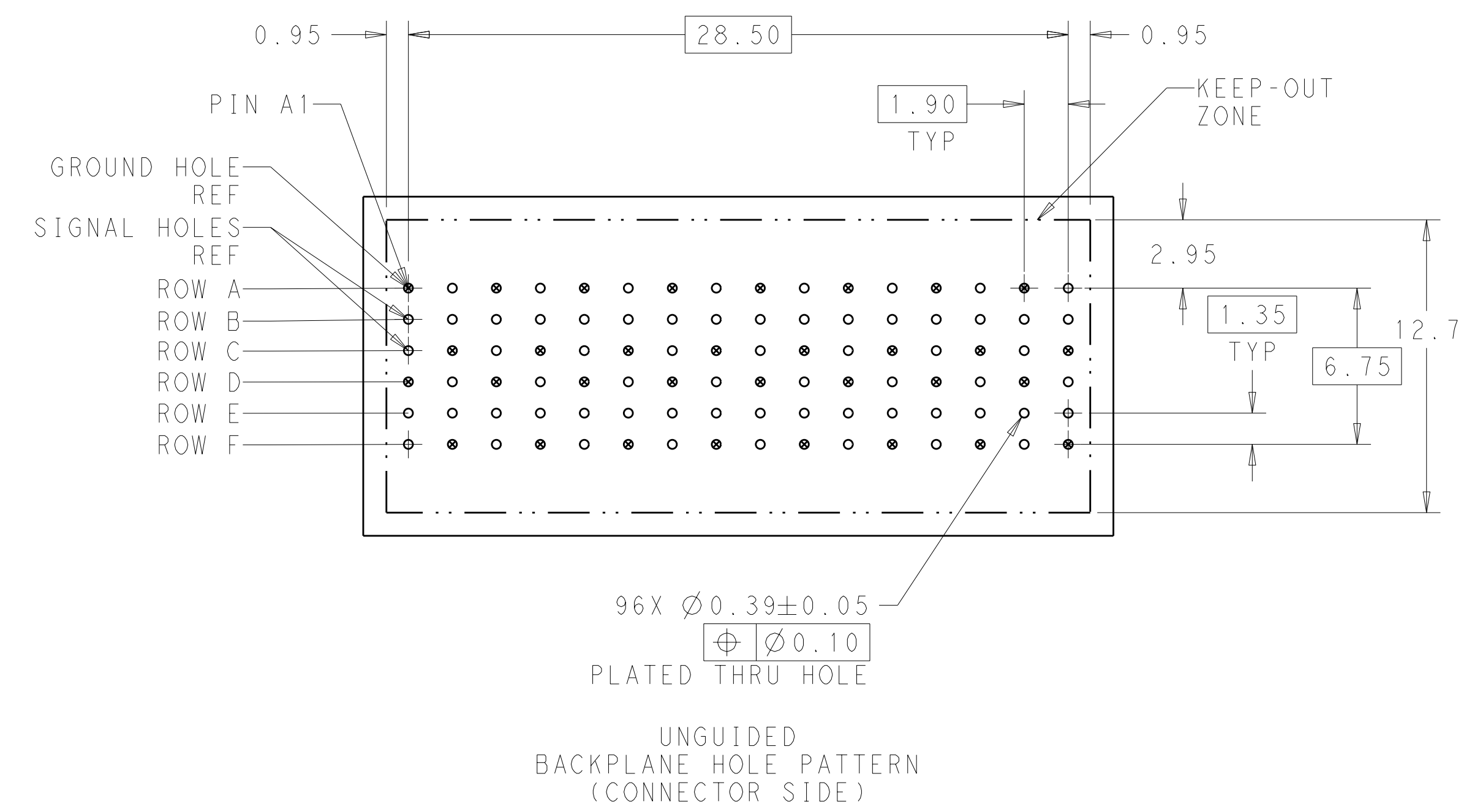
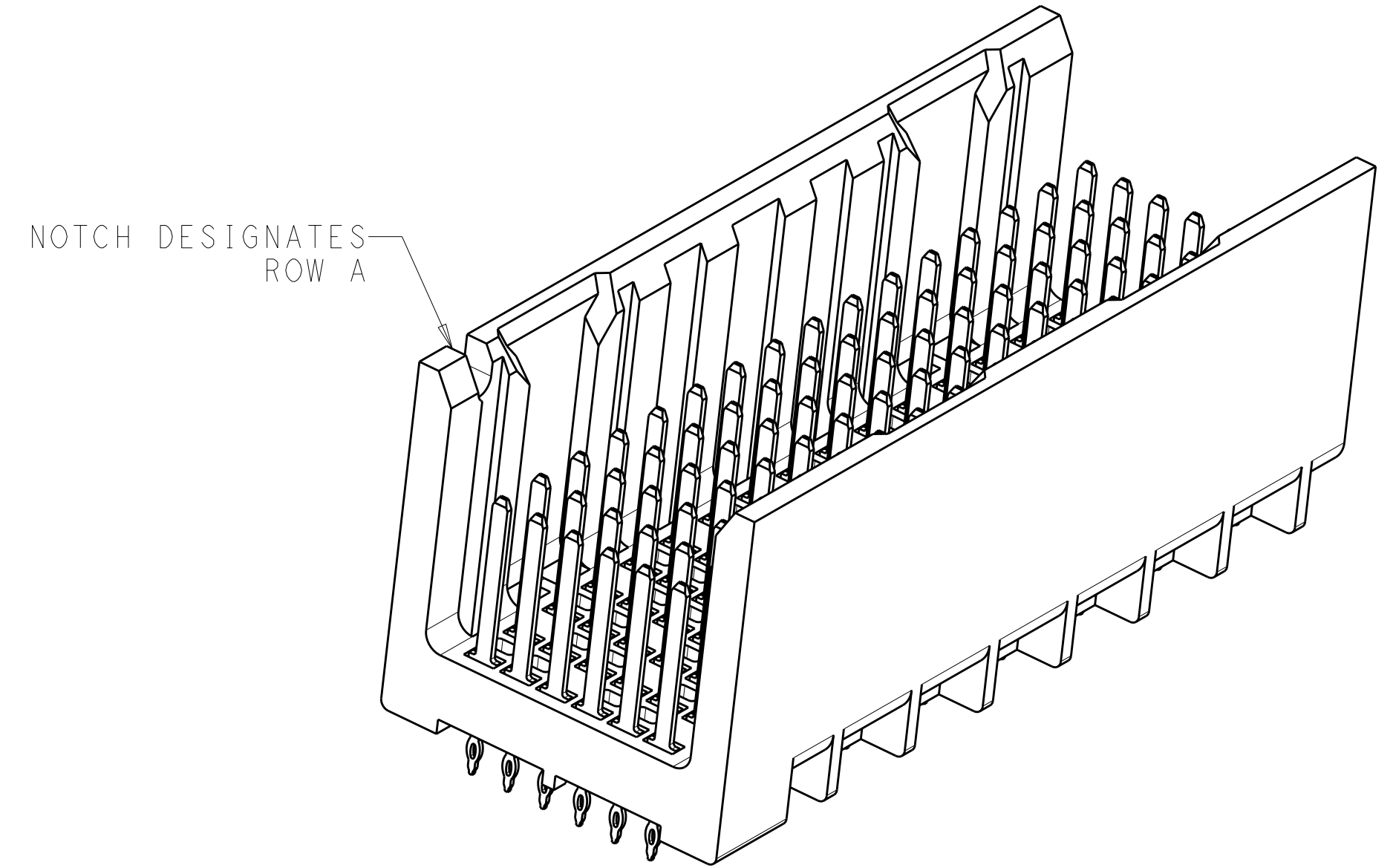


LOC		DIST		REVISIONS			
AD	00	P	LT#	DESCRIPTION	DATE	DWN	APVD
		B		REVISED PER ECO-11-025276	05JAN2012	KH	DY



- 1 MATERIAL:
HOUSING: LCP, GLASS FILLED, UL94V-0.
TERMINALS: HIGH PERFORMANCE COPPER ALLOY.
- 2 FINISH:
30µ" MIN GOLD IN CONTACT AREA. SELECTIVE TIN
ON PCB TAILS, NICKEL OVERALL.
- 3 FINISH:
30µ" MIN GOLD IN CONTACT AREA. SELECTIVE TIN-LEAD
ON PCB TAILS, NICKEL OVERALL.




THIS DRAWING IS A CONTROLLED DOCUMENT.		DWN J. K. SHOBER 31JAN2011	TE Connectivity NAME IMPACT, 2 PAIR, 16 COLUMN, HEADER UNGUIDED, OPEN END WALL SIGNAL MODULE, 0.39 PTH
DIMENSIONS: mm		CHK J. EABY 31JAN2011	
TOLERANCES UNLESS OTHERWISE SPECIFIED: 9 PLC ± 1 PLC ±0.25 3 PLC ±0.13 4 PLC ± 4 PLC ± ANGLES ± FINISH SEE TABLE		APVD J. EABY 31JAN2011 PRODUCT SPEC APPLICATION SPEC WEIGHT CUSTOMER DRAWING	
MATERIAL		SIZE CAGE CODE DRAWING NO. RESTRICTED TO A100779C=2057748 SCALE 6:1 SHEET 1 OF 2 REV B	

THIS DRAWING IS UNPUBLISHED. RELEASED FOR PUBLICATION 20
 © COPYRIGHT 20 . . . ALL RIGHTS RESERVED.

LOC	DIST	REVISIONS					
AD	00	P	LTB	DESCRIPTION	DATE	DWN	APVD
		-	-	SEE SHEET 1	-	-	-

FINISH	DIM M	PART NUMBER
△3	5.5	2057748-6
△3	4.9	2057748-5
△3	4.5	2057748-4
△2	5.5	2057748-3
△2	4.9	2057748-2
△2	4.5	2057748-1

REFER TO WWW.TE.COM
 FOR PRODUCT AVAILABILITY

THIS DRAWING IS A CONTROLLED DOCUMENT.		DWN J. K. SHOBER 31JAN2011	 TE Connectivity
DIMENSIONS: mm		CHK J. EABY 31JAN2011	
TOLERANCES UNLESS OTHERWISE SPECIFIED:		APVD J. EABY 31JAN2011	NAME IMPACT, 2 PAIR, 16 COLUMN, HEADER
9 PLC ±		PRODUCT SPEC	UNGUIDED, OPEN END WALL
1 PLC ±0.25		APPLICATION SPEC	SIGNAL MODULE, 0.39 PTH
2 PLC ±0.13		WEIGHT	SIZE CAGE CODE DRAWING NO RESTRICTED TO
3 PLC ±		CUSTOMER DRAWING	A100779C=2057748
4 PLC ±		SCALE 5:1	SHEET 2 OF 2
ANGLES ±		REV B	
FINISH SEE TABLE			

单击下面可查看定价，库存，交付和生命周期等信息

[>>TE Connectivity\(泰科\)](#)