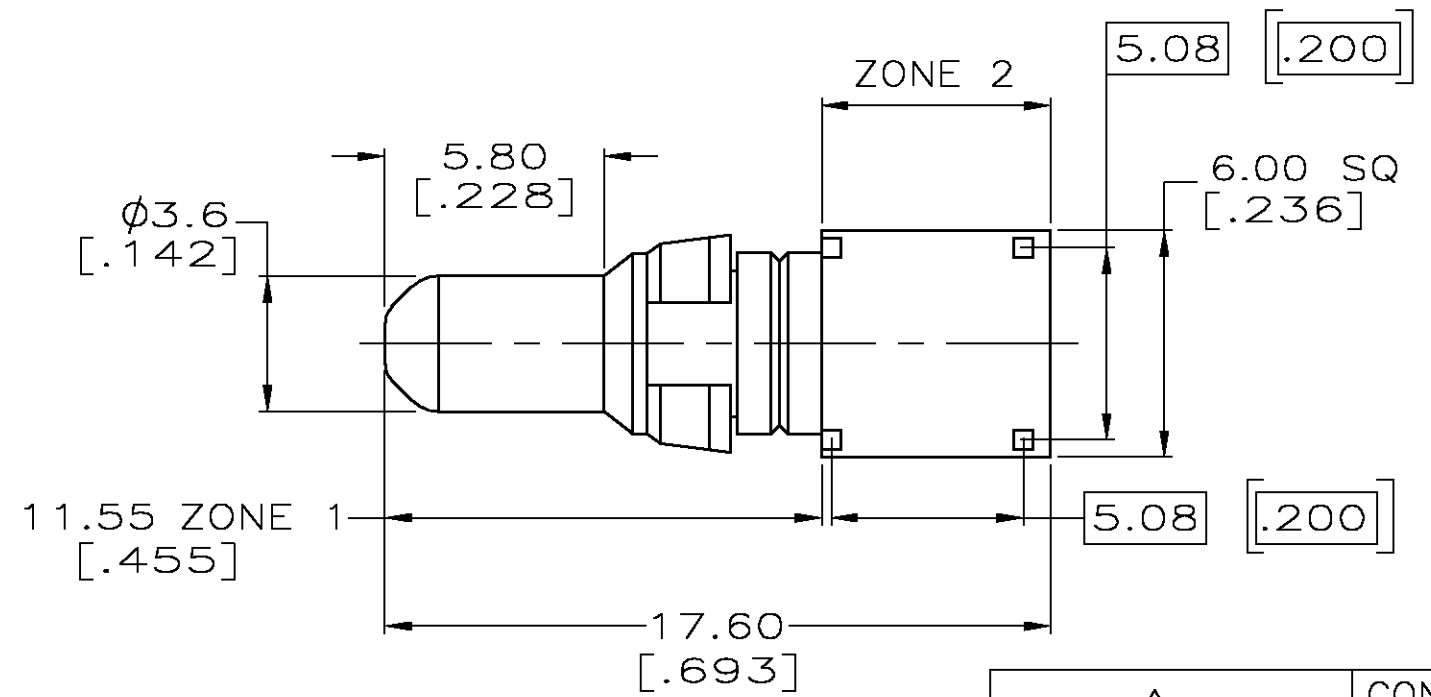
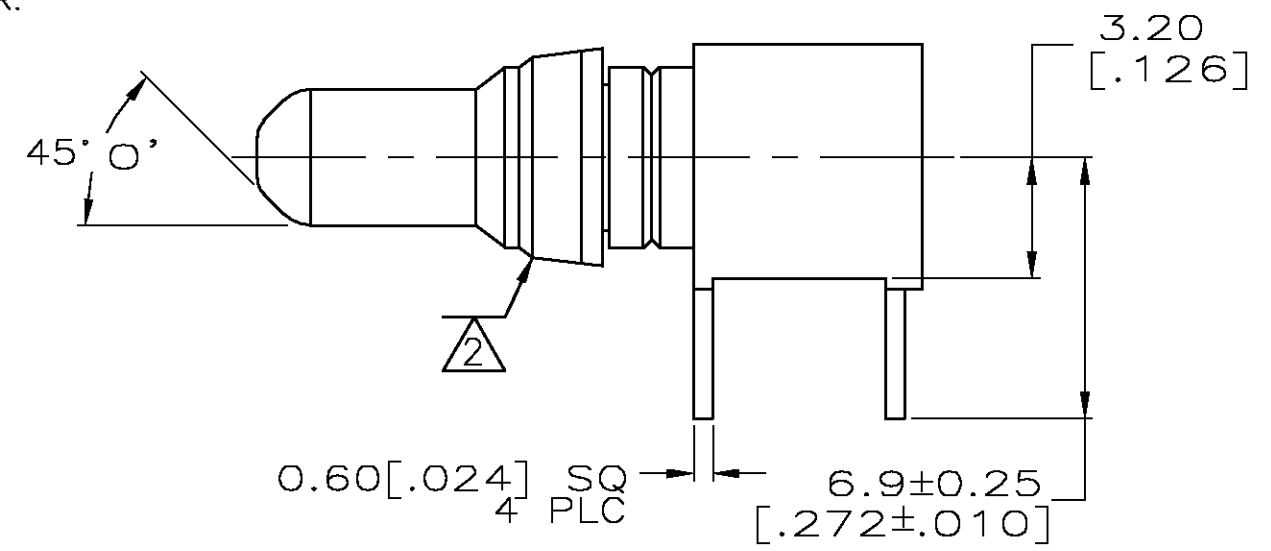


THIS DRAWING IS UNPUBLISHED. RELEASED FOR PUBLICATION  
 © COPYRIGHT BY TYCO ELECTRONICS CORPORATION. ALL RIGHTS RESERVED.

LOC	DIST	REVISIONS					
AD	25	P	LTR	DESCRIPTION	DATE	DWN	APVD
		0		RELEASED PER EC 0S12-0061-05	06APR05	JDP	AMS

- 1. SUITABLE FOR MALE TYPE M CONNECTORS.
- ② RETAINING RING.
- ③ GOLD PLATE 0.000762 [.000030] MIN THICK IN ZONE 1, TIN PLATE 0.00254 [.000100] MIN THICK IN ZONE 2. NICKLE UNDERPLATE 0.00127 [.000050] MIN THICK ALL OVER.



③	CONTACT; COPPER ALLOY	5148354-1
	RETAINING RING; COPPER ALLOY	
FINISH	MATERIAL	PART NUMBER

THIS DRAWING IS A CONTROLLED DOCUMENT.		DWN J. POLIGNONE 06APR05	Tyco Electronics Corporation Harrisburg, Pa 17105-3608	
DIMENSIONS: mm [INCHES]	TOLERANCES UNLESS OTHERWISE SPECIFIED:	CHK A. SHARPE 06APR05	NAME POWER CONTACT, MALE, RIGHT ANGLE 4 SOLDER POSTS (25 AMP)	
	0 PLC ± -	APVD A. SHARPE 06APR05	PRODUCT SPEC	SIZE A300779
	1 PLC ± -		APPLICATION SPEC	
MATERIAL SEE TABLE	2 PLC ± 0.13[.005]		WEIGHT -	CAGE CODE -
	3 PLC ± -			DRAWING NO -
	4 PLC ± -			RESTRICTED TO -
	ANGLES ± -			
	FINISH SEE TABLE			
CUSTOMER DRAWING			SCALE 5:1	SHEET 1 OF 1
			REV 0	

单击下面可查看定价，库存，交付和生命周期等信息

[>>TE Connectivity\(泰科\)](#)