

4

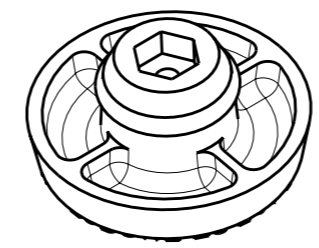
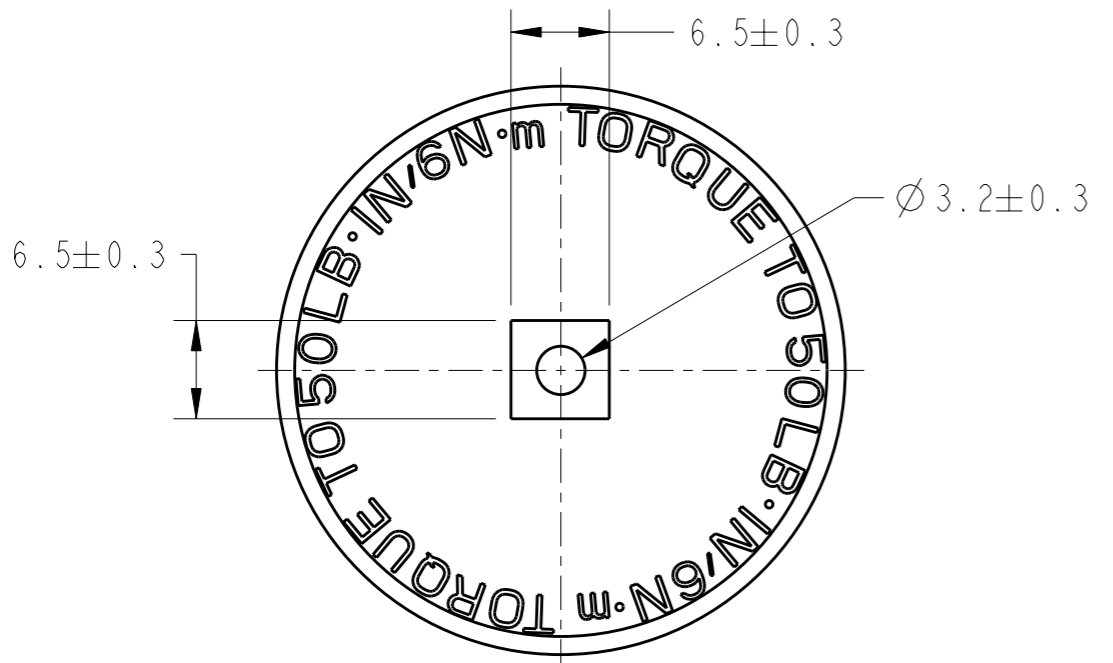
3

2

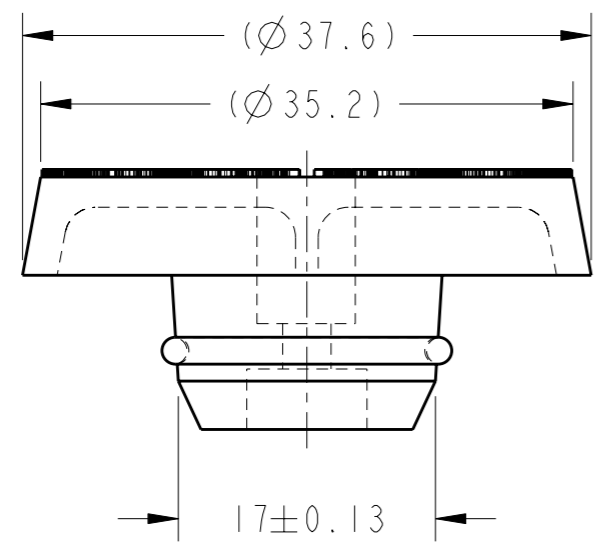
1

THIS DRAWING IS UNPUBLISHED. RELEASED FOR PUBLICATION 20
 © COPYRIGHT 20 BY TYCO ELECTRONICS CORPORATION. ALL RIGHTS RESERVED.

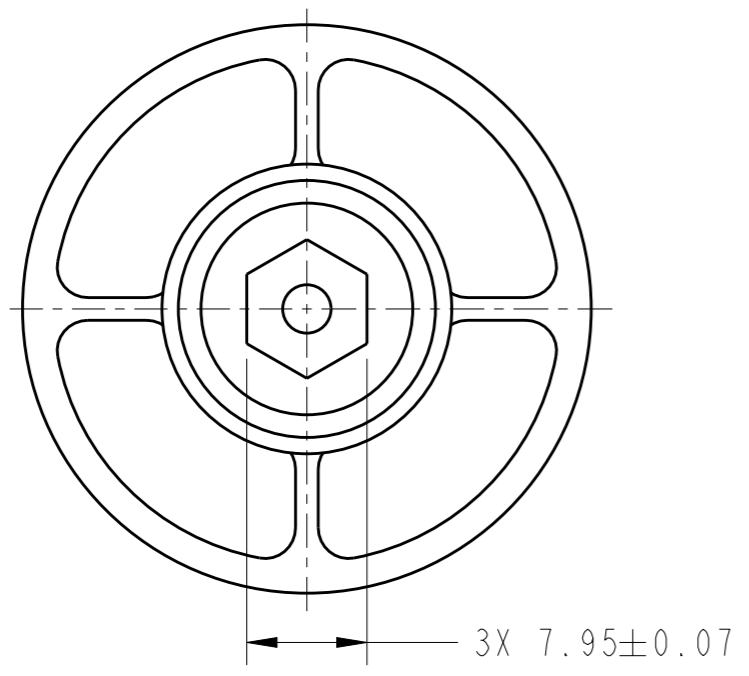
LOC	DIST	REVISIONS			
P	LTR	DESCRIPTION	DATE	DWN	APVD
FX	00	A	RELEASED PER D08-041	01APR2008	AH BB



SCALE 1/1



△ MATERIAL:
 HANDLE: PBT, COLOR; BLACK
 O-RING: SYNTHETIC RUBBER, TEFLON COATED, COLOR; BLUE



1831415C92	3-1437839-8
NAVISTAR PART NO.	TYCO ELECTRONICS PART NO.

THIS DRAWING IS A CONTROLLED DOCUMENT FOR TYCO ELECTRONICS CORPORATION. IT IS SUBJECT TO CHANGE AND THE CONTROLLING ENGINEERING ORGANIZATION SHOULD BE CONTACTED FOR THE LATEST REVISION.		DWN	A. HOLT	01APR2008	Tyco Electronics Harrisburg, PA 17105-3608			
DIMENSIONS:		CHK	B. BURKEPILE	01APR2008				
mm		APVD	B. BURKEPILE	01APR2008				
		PRODUCT SPEC	-	-				
TOLERANCES UNLESS OTHERWISE SPECIFIED:		APPLICATION SPEC	-		NAME	PLASTIC HANDLE ASSEMBLY NAVISTAR 60-WAY		
0 PLC	±-	WEIGHT	-		SIZE	A3		
1 PLC	±-	CUSTOMER DRAWING		SCALE	2/1	SHEET	1	
2 PLC	±-			RESTRICTED TO			OF	1
3 PLC	±-			REV	A			
4 PLC	±-							
ANGLES	±-							
FINISH	△							

单击下面可查看定价，库存，交付和生命周期等信息

[>>TE Connectivity\(泰科\)](#)