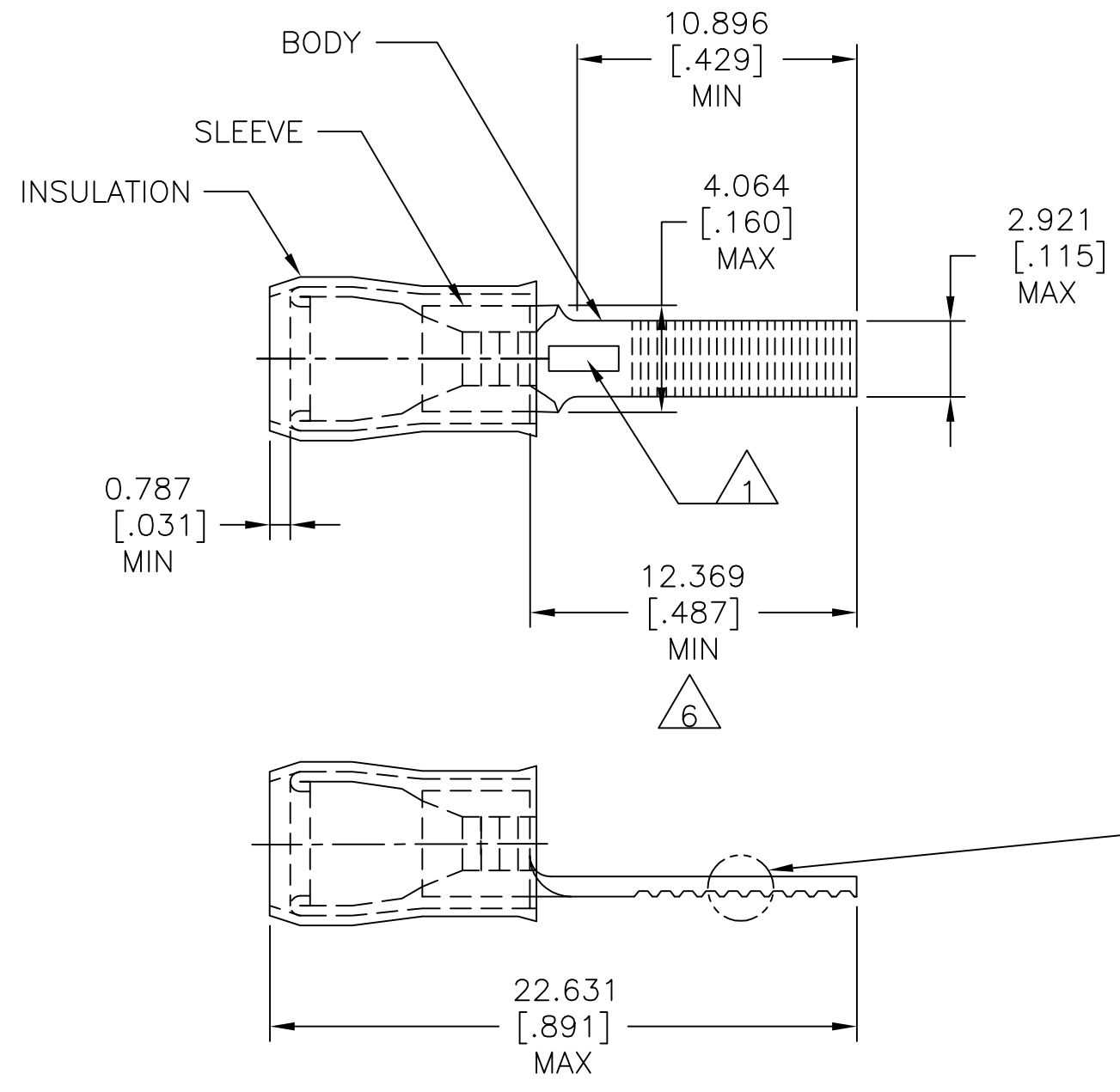


REVISIONS					
P	LTR	DESCRIPTION	DATE	DWN	APVD
	E	REV PER ECR 07-026901	10JAN08	JR	TM
	E1	REVISED PER ECO-17-008809	20JUN2017	RS	DR



- 1 STAMP AMP 16-14 APPROX AS SHOWN.
- 2 WIRE INSULATION DIA: $\phi 2.921-4.318$ [$\phi .115-.170$]
- 3 BODY MATERIAL THK: 0.787 ± 0.050 [$.031 \pm .002$]
- 4 BODY & SLEEVE: TIN PLATE PER ASTM B545,
- 5 BODY & SLEEVE- CU PER ASTM B152
- 6 APPLIES FROM EDGE OF METAL WIRE BARREL.

1000	LOOSE PIECE	131330
QTY	PACKAGE TYPE	PART NO

AMP INCORPORATED CUSTOMER SERVICE SYSTEMS		MAX RECOMMENDED OPERATING TEMPERATURE: 105°C [221°F] MAX	THIS DRAWING IS A CONTROLLED DOCUMENT.		DWN JR RUTH 10JAN08	TE Connectivity NAME TERMINAL, WIRE TAB, P.I.D.G. WIRE SIZE: 16-14 AWG			
FOR ADDITIONAL PRODUCT INFORMATION OR COPIES OF DRAWINGS AND TECHNICAL DOCUMENTS	PRODUCT INFORMATION CENTER 1-800-522-6752	VOLTAGE RATING: 300 V MAX	DIMENSIONS: mm [INCHES]	TOLERANCES UNLESS OTHERWISE SPECIFIED:	CHK T MICHELUTTI 10JAN08				
FOR APPLICATION TOOLING INFORMATION	TOOLING ASSISTANCE CENTER 1-800-722-1111	CIRCULAR MIL AREA: 1.04-2.62mm² [2,050-5,180] STRANDED		0 PLC ± - 1 PLC ± - 2 PLC ± - 3 PLC ± 0.127[.005] 4 PLC ± - ANGLES ± -	APVD T MICHELUTTI 10JAN08	PRODUCT SPEC -			APPLICATION SPEC 114-2157
FOR ORDER ENTRY	1-800-526-5142	THIS DRAWING IS A CONTROLLED DOCUMENT FOR AMP INCORPORATED. IT IS SUBJECT TO CHANGE AND THE CONTROLLING ENGINEERING ORGANIZATION SHOULD BE CONTACTED FOR THE LATEST REVISION.	MATERIAL 5	FINISH 4	WEIGHT -	SIZE A3	CAGE CODE 00779	DRAWING NO C=131330	RESTRICTED TO -
CUSTOMER DRAWING					SCALE 4:1	SHEET 1 OF 1	REV E1		

单击下面可查看定价，库存，交付和生命周期等信息

[>>TE Connectivity\(泰科\)](#)