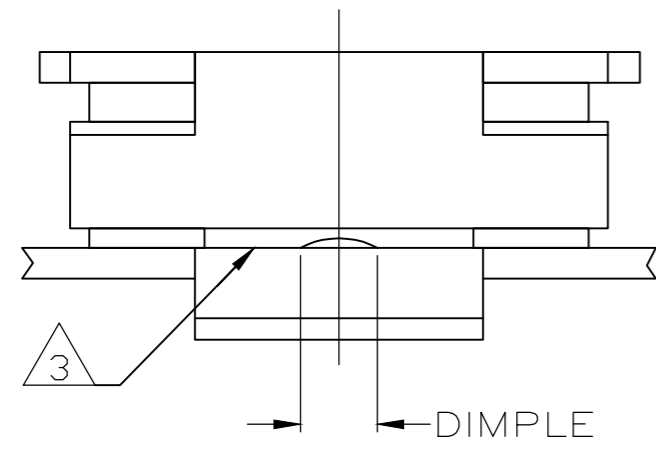


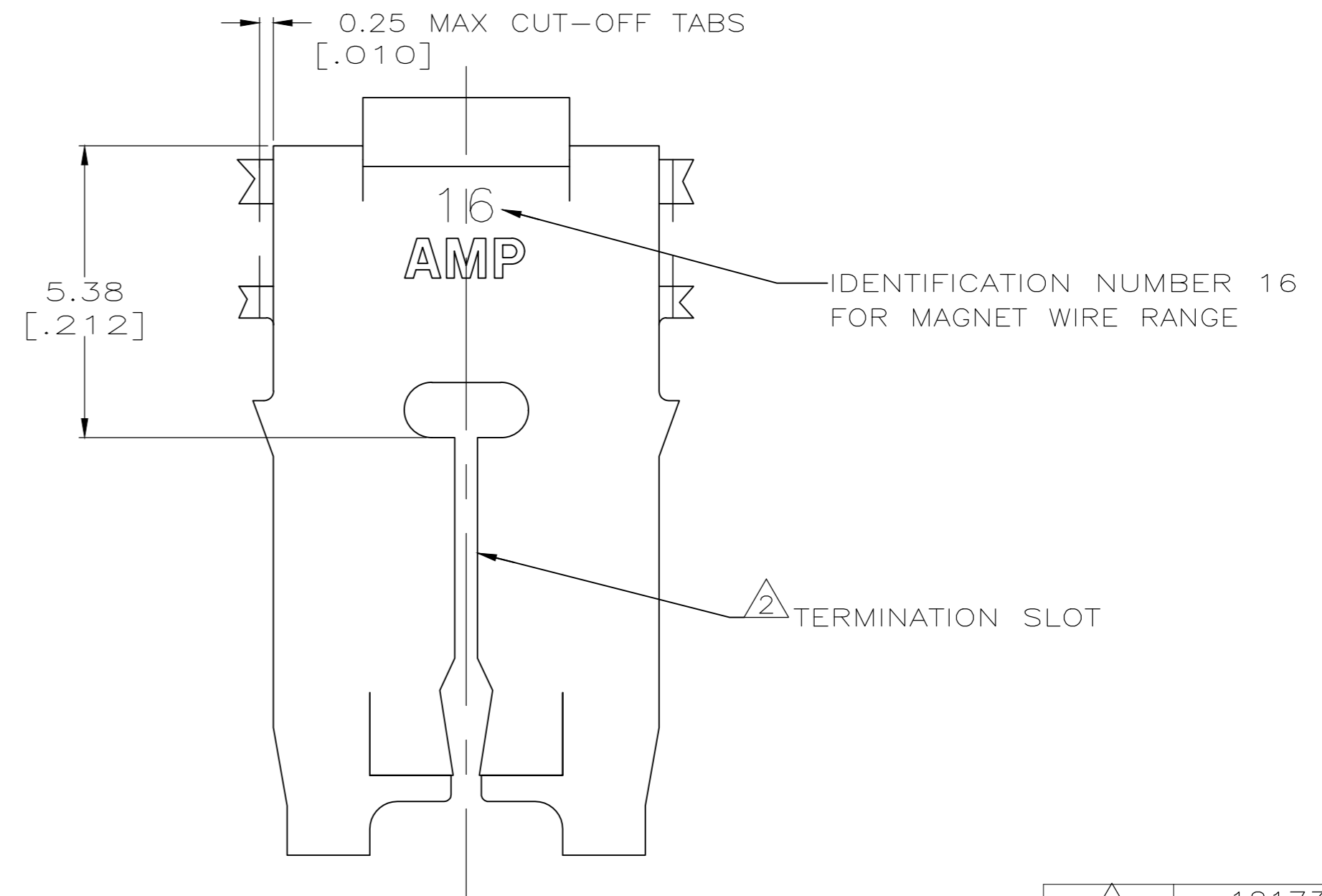
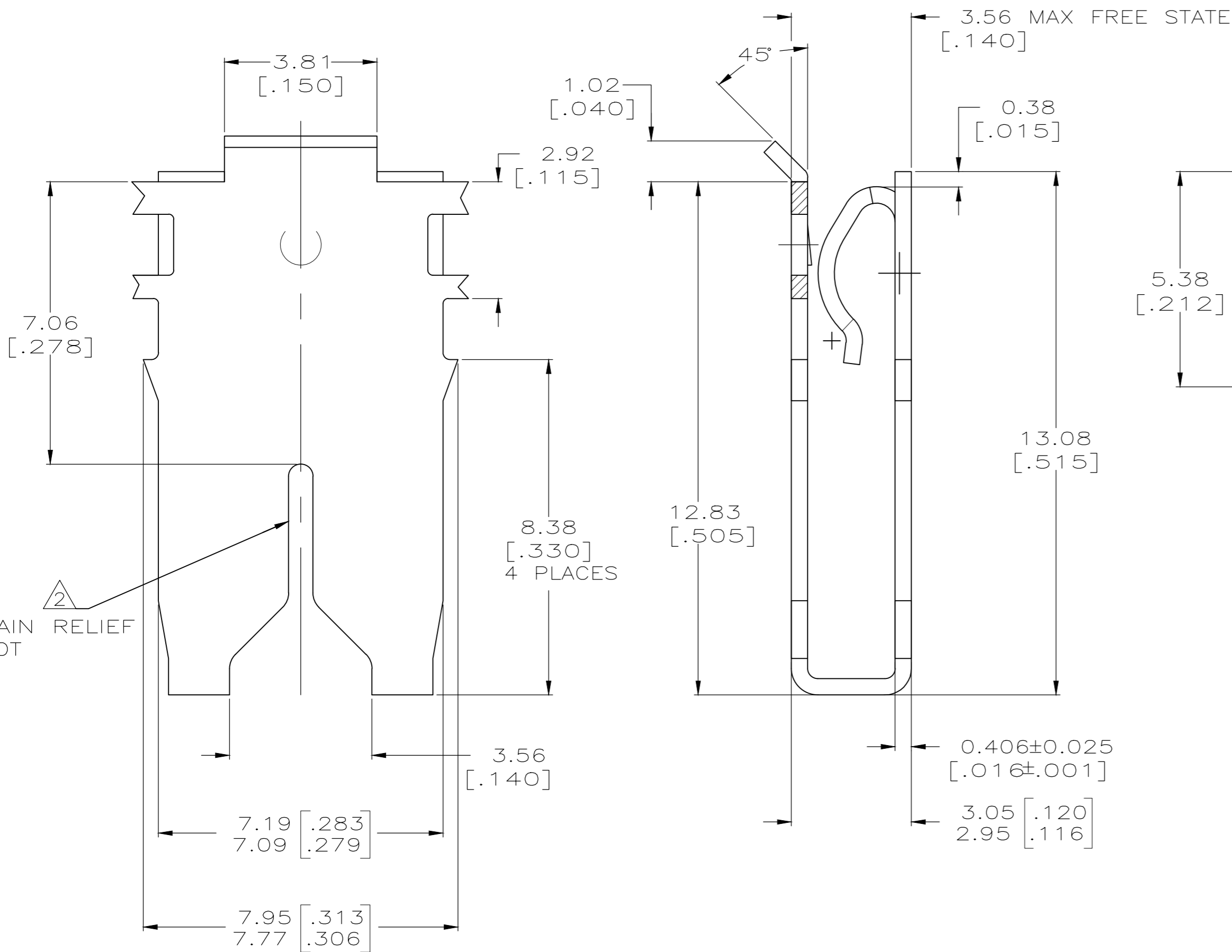
THIS DRAWING IS UNPUBLISHED. RELEASED FOR PUBLICATION  
 © COPYRIGHT - By - ALL RIGHTS RESERVED.

REVISIONS				
P	LTR	DESCRIPTION	DATE	DWN APVD
E		FREE STATE DIMENSION UPDATED	01JUL2019	MB PKS

- 1 CONTINUOUS STRIP ON REELS WITH TERMINALS LOCATED ON  $10.41 \pm 0.08$  [.410 ± .003] CENTERS.
- 2 SLOT ACCEPTS 0.57-0.68mm [#23-#21.5] AWG COPPER MAGNET WIRE. 2 WIRES OF THE SAME SIZE MAX PER SLOT.
- 3 CONTACT LEAF ACCEPTS 0.81 [.032] THICK POKE-IN TAB, (REFERENCE TAB DRAWING 1217324-1).
- 4 TIN PLATE OVER NICKEL UNDERPLATE.
- 5 TIN PLATE.



DIMPLE



5	1217358-2
4	1217358-1
FINISH	PART NUMBER

THIS DRAWING IS A CONTROLLED DOCUMENT.		DWN	12FEB2007	MICHAEL S. FEHER	
DIMENSIONS:		CHK	12FEB2007	KURT A. RANDOLPH	
mm [INCHES]		APVD	12FEB2007	KURT A. RANDOLPH	
TOLERANCES UNLESS OTHERWISE SPECIFIED:		NAME			
0 PLC	± -	TE Connectivity			
1 PLC	± -	SPECIAL LEAF CONTACT, 500 SERIES MAG-MATE			
2 PLC	± 0.25 [.010]	SIZE	CAGE CODE	DRAWING NO	RESTRICTED TO
3 PLC	± -	A2	00779	C=1217358	-
4 PLC	± -	CUSTOMER DRAWING			
ANGLES	± -	SCALE	10:1	SHEET	1 OF 1
MATERIAL	FINISH	WEIGHT	REV E		
BRASS	-				

单击下面可查看定价，库存，交付和生命周期等信息

[>>TE Connectivity\(泰科\)](#)