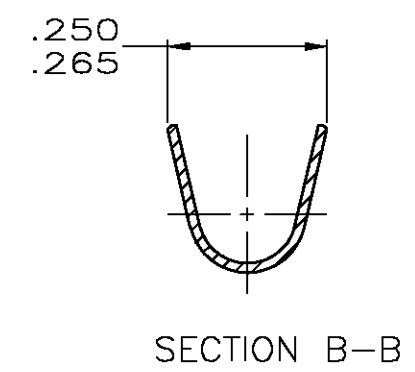
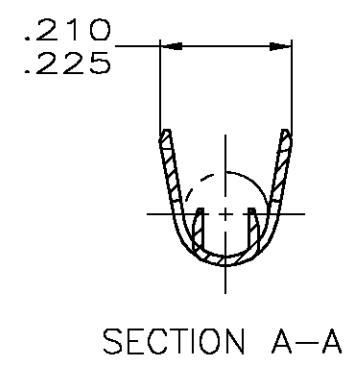
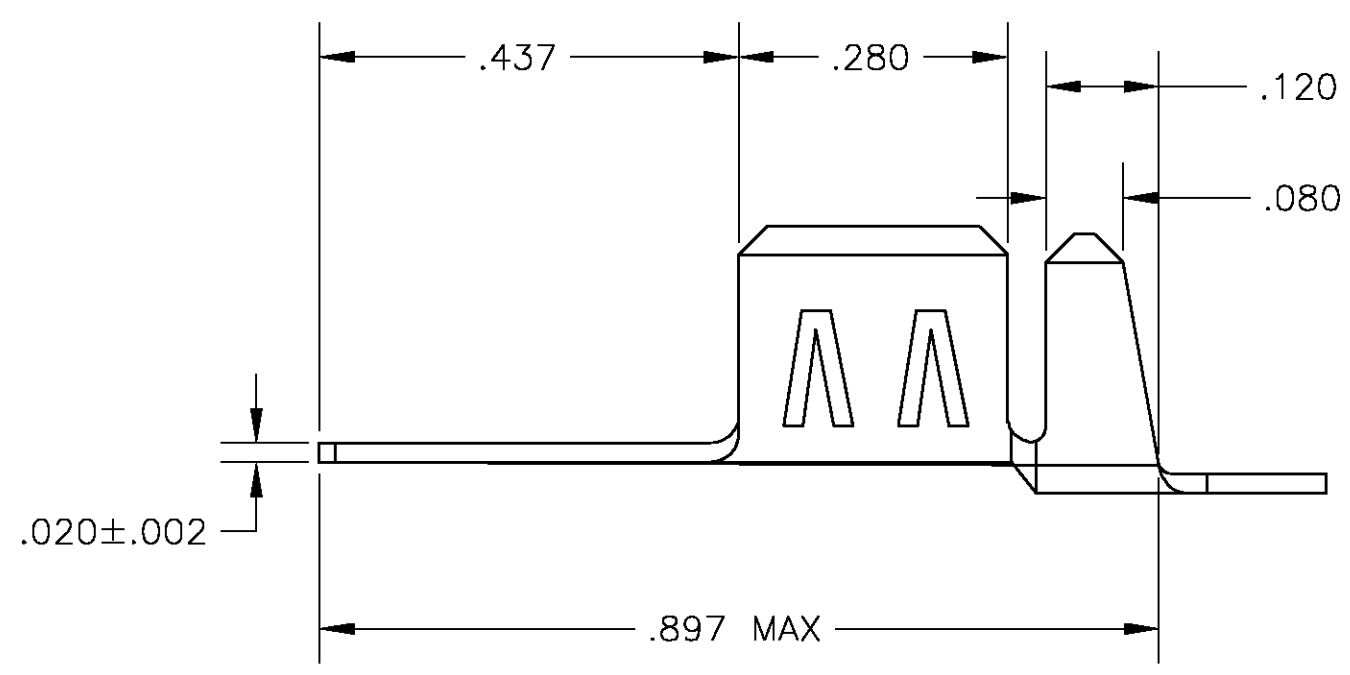
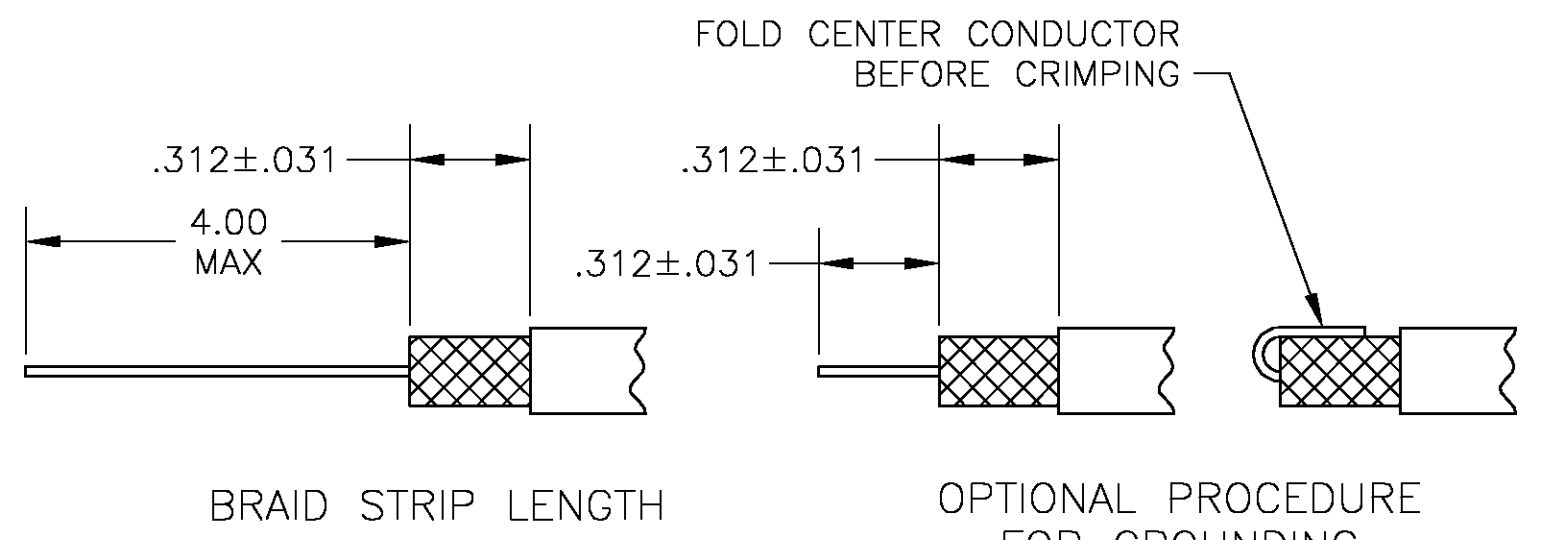
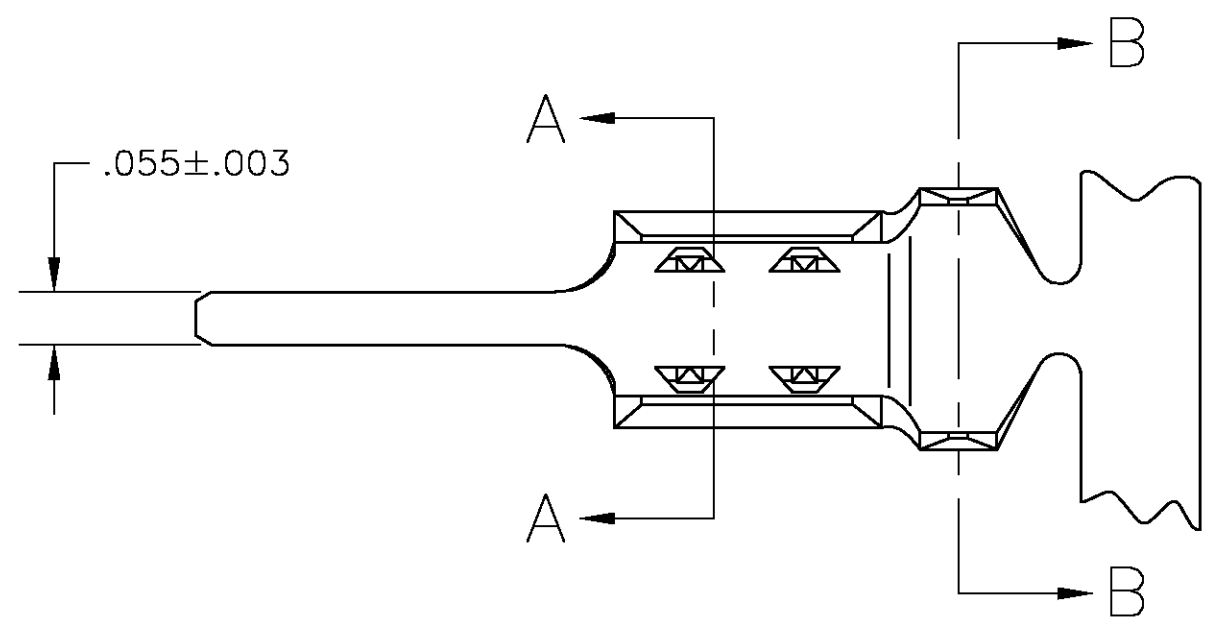


THIS DRAWING IS UNPUBLISHED. RELEASED FOR PUBLICATION
 © COPYRIGHT BY TYCO ELECTRONICS CORPORATION. ALL RIGHTS RESERVED.

| LOC | DIST | REVISIONS | | | | | |
|-----|------|-----------|-----|----------------------|----------|-----|------|
| AJ | 16 | P | LTR | DESCRIPTION | DATE | DWN | APVD |
| | | A | | REV PER OS14-0114-04 | 04-26-04 | JDP | DPG |



- FOR USE WITH RG 58/U L CABLE.
- FOR USE WITH .062 DIA. BOARD HOLE.

- 3 TIN-LEAD PLATE PER ASTM B-545
- 4 TIN PLATE PER ASTM B-545

| | |
|--------|-------------|
| 4 | 9-226854-0 |
| 3 | 226854-1 |
| FINISH | PART NUMBER |

| | | | | |
|--|--|----------------------------|---|------------------------|
| THIS DRAWING IS A CONTROLLED DOCUMENT. | | DWN T SMITH 10-04-83 | Tyco Electronics Corporation Harrisburg, PA 17105-3608 | |
| DIMENSIONS: INCHES | | CHK C.F. 10-04-85 | | |
| TOLERANCES UNLESS OTHERWISE SPECIFIED: | | APVD R.K. 10-04-85 | NAME COAXIAL PCB TERMINAL, PICK CRIMP TYPE BRAID-PIC | |
| 0 PLC ± - 1 PLC ± - 2 PLC ± - 3 PLC ± .008 4 PLC ± - ANGLES ± - | | PRODUCT SPEC - | SIZE A3 | |
| MATERIAL BRASS, ASTM B 36 | | APPLICATION SPEC - | CAGE CODE 00779 | DRAWING NO C-226854 |
| FINISH | | WEIGHT - | RESTRICTED TO - | |
| CUSTOMER DRAWING | | | SCALE 5:1 | SHEET 1 OF 1 |
| | | | REV A | |

单击下面可查看定价，库存，交付和生命周期等信息

[>>TE Connectivity\(泰科\)](#)