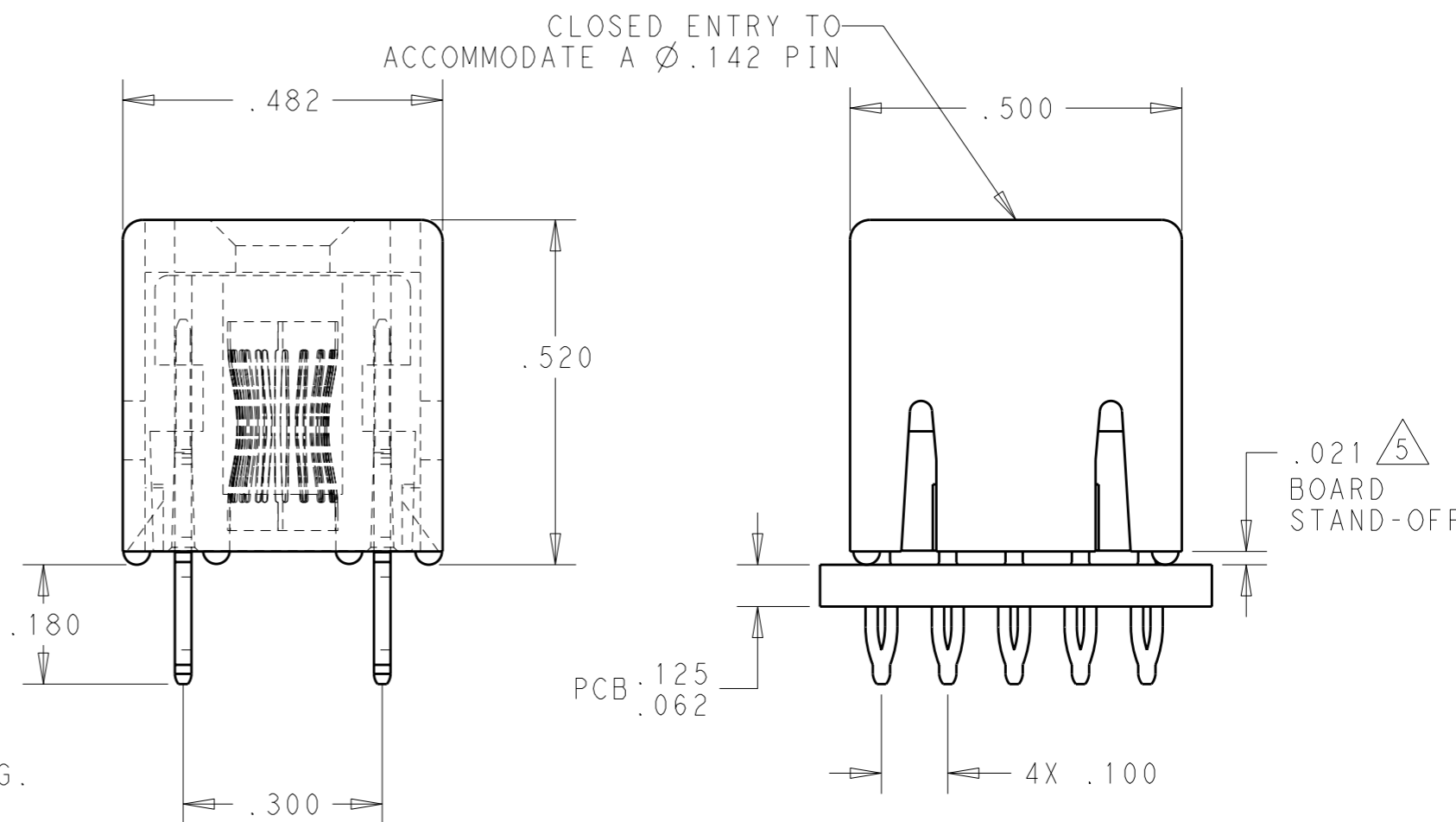
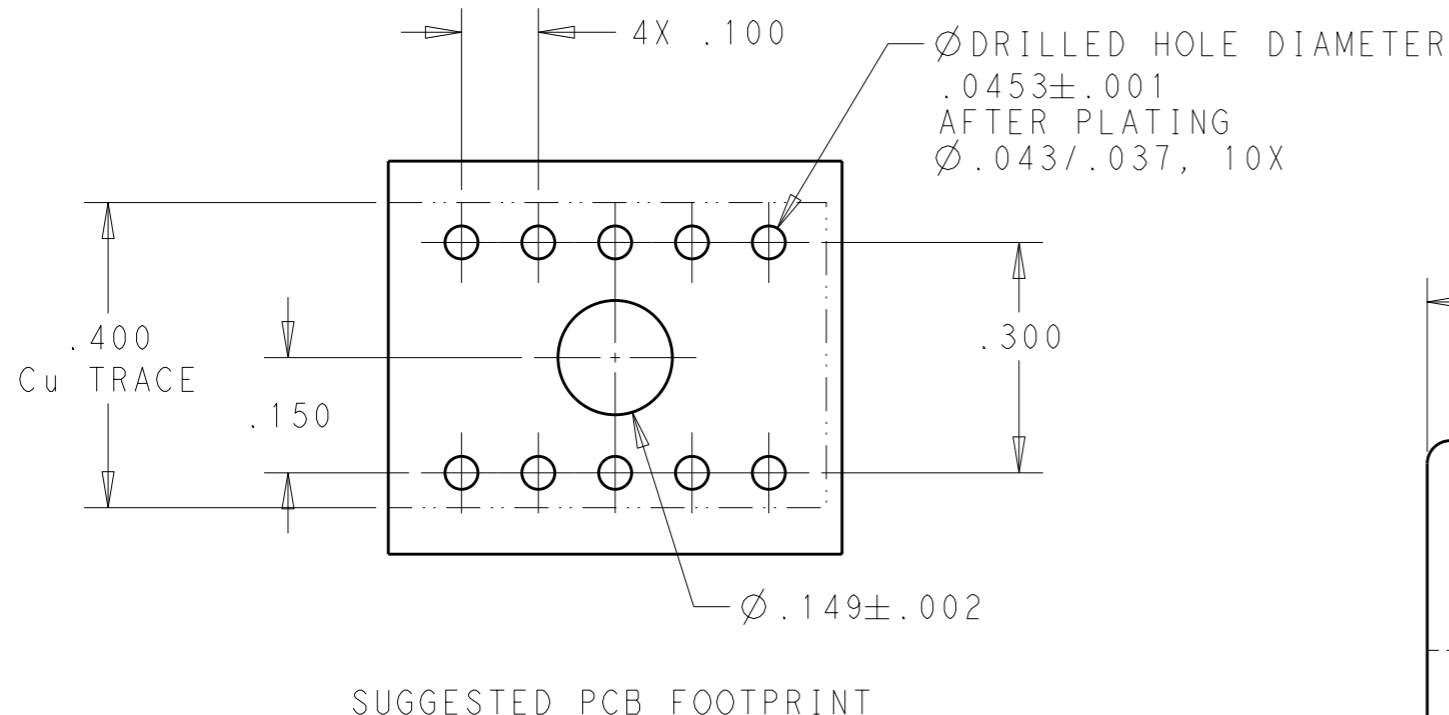


LOC	DIST	REVISIONS			
P	LTR	DESCRIPTION	DATE	DWN	APVD
GP	00				
	B	REV PER ECO-10-021627	24JAN2011	RG	NE
	C	REV PER ECO-11-007678	03MAY2011	RG	DO



- PART NUMBER CHANGES AND/OR DESIGN CHANGES AFFECTING ITEM INTERCHANGEABILITY REQUIRE PRIOR TO ELECTRONICS APPROVAL AND AUTHORIZATION BY REVISION TO THIS DRAWING.
- ITEMS PROVIDED TO THIS SPECIFICATION SHALL BE IDENTIFIED ON THE CONTAINER WITH THE FOLLOWING INFORMATION PART NUMBER AND DATE CODE OF MANUFACTURE.

3. MATERIAL:
 INSULATOR: POLYESTER, GLASS FILLED, UL 94 V-0 RATED, COLOR - BLACK
 MODULE: METAL CASTING
 CROWN: BECU
 COMPLAINT: PHOSPHOR BRONZE

4. FINISH:
 MODULE: SILVER PLATED .000200 MIN THK.
 OVER NICKEL .000040 MIN THK
 CROWN: GOLD PLATED .000030 MIN THK.
 OVER NICKEL .000040 MIN THK
 COMPLIANT: SILVER PLATED .000200 MIN THK.
 OVER NICKEL .000040 MIN THK

5 A FIVE-POUND (5lb) FORCE REQUIRED TO CORRECTLY SEAT THE CONNECTOR WITH PLATED THRU HOLES LESS THAN Ø .040.

6643269-1
PART NUMBER

THIS DRAWING IS A CONTROLLED DOCUMENT FOR TYCO ELECTRONICS CORPORATION IT IS SUBJECT TO CHANGE AND THE CONTROLLING ENGINEERING ORGANIZATION SHOULD BE CONTACTED FOR THE LATEST REVISION.		DWN LOVATO 08/05/05	Tyco Electronics Corporation Harrisburg, PA 17105-3608	
DIMENSIONS: INCHES		CHK -	NAME ICCON SOCKET, PERPENDICULAR 10 PIN FOOTPRINT WITH COMPLIANT PIN	
TOLERANCES UNLESS OTHERWISE SPECIFIED: 0 PLC ±. 1 PLC ±. 2 PLC ±. 3 PLC ±.020 4 PLC ±. ANGLES ±.5		APVD D. CHAU 12/02/05	RESTRICTED TO -	
MATERIAL -		PRODUCT SPEC -	SIZE A3	CAGE CODE 00779
FINISH -		APPLICATION SPEC -	DRAWING NO C-6643269	REV C
		WEIGHT -	SCALE 4:1	
		CUSTOMER DRAWING		SHEET 1 OF 1

单击下面可查看定价，库存，交付和生命周期等信息

[>>TE Connectivity\(泰科\)](#)