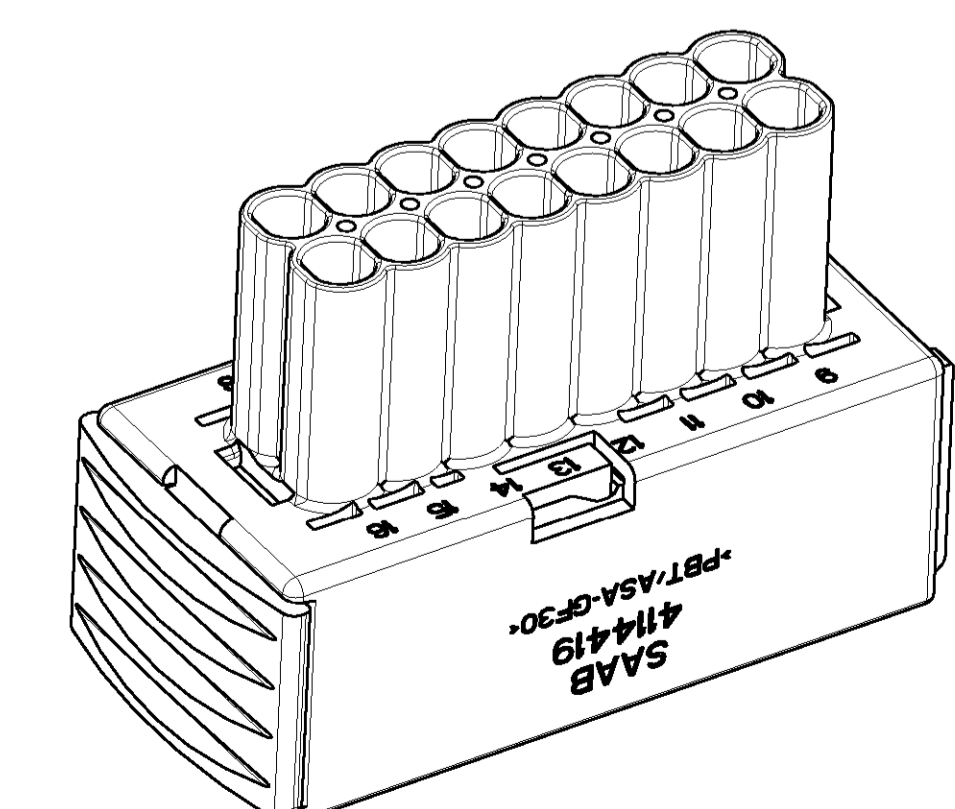


- NOTES :
- 1 Au-VERSION OF CONTACT IS 1-xxxxxx-1  
Au-Version des Kontaktes ist 1-xxxxxx-1
  - 2 WATER TIGHTNESS ACC. GMI 12590; 5.10.3  
FURTHER INFORMATIONS SEE PRODUCT SPECIFICATION 108-18102-1/...-9  
Wasserdichtheit nach GMI 12590; 5.10.3  
Weitere Informationen siehe Produktspezifikation 108-18102-1/...-9
  - 3 Einfall bis auf 23.5mm zulässig  
SHRINKAGE UP TO 23.5MM ALLOWED

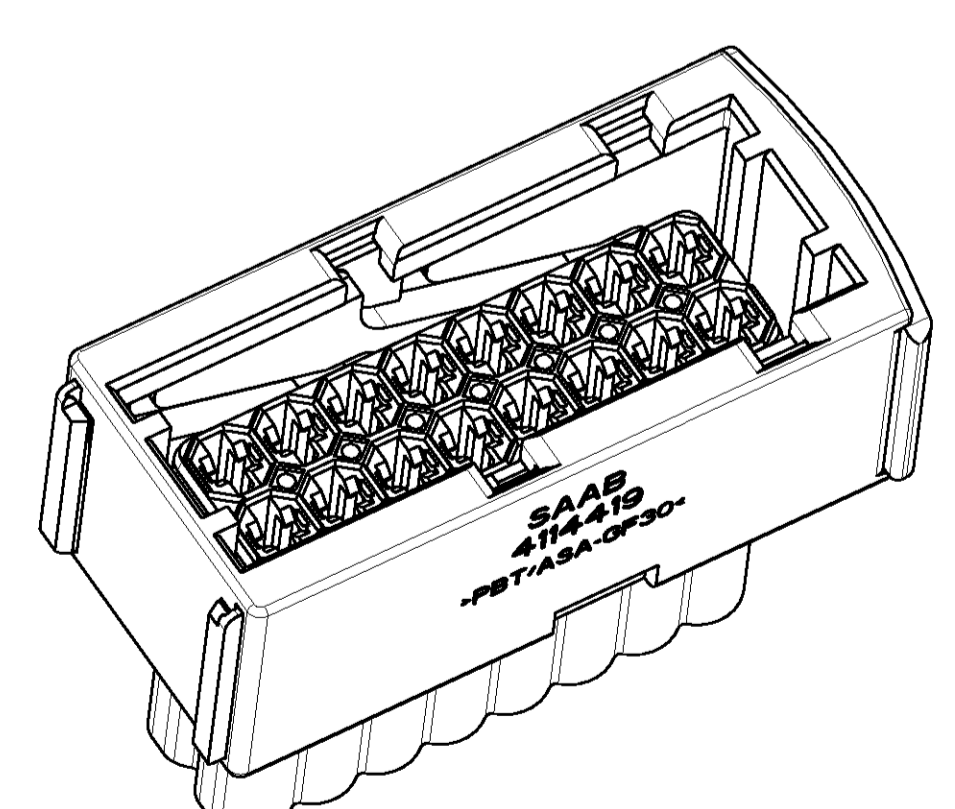
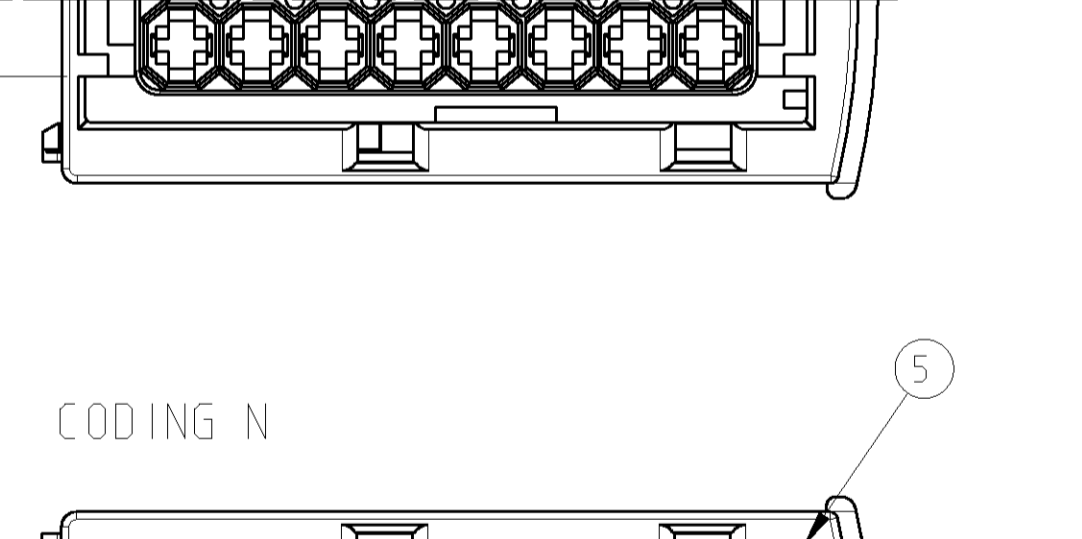
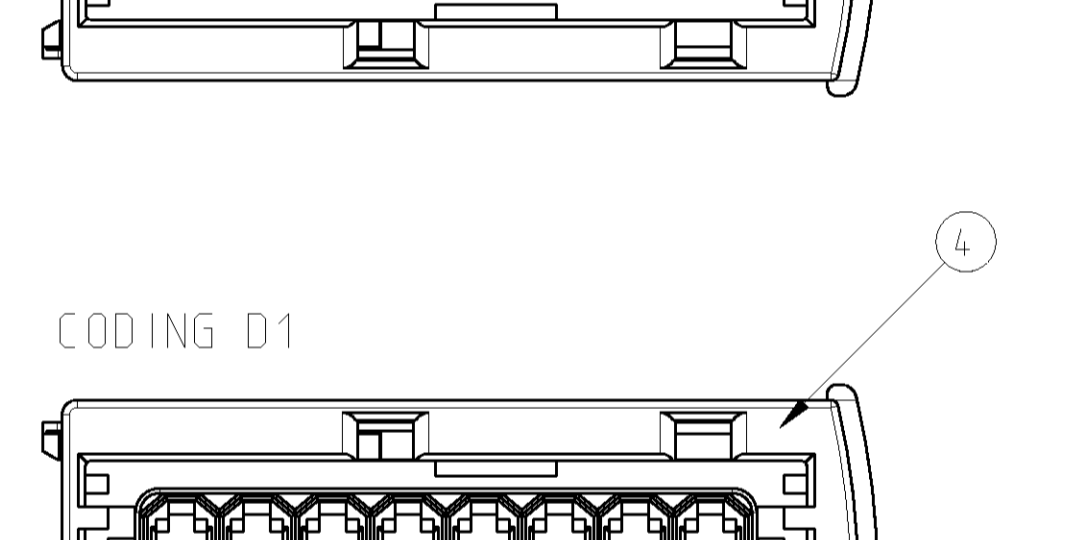
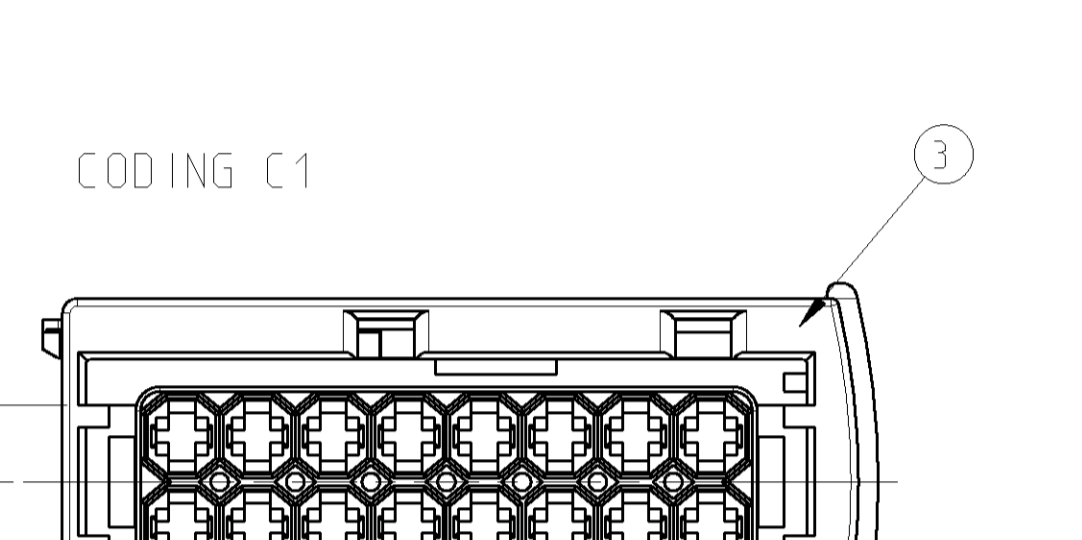
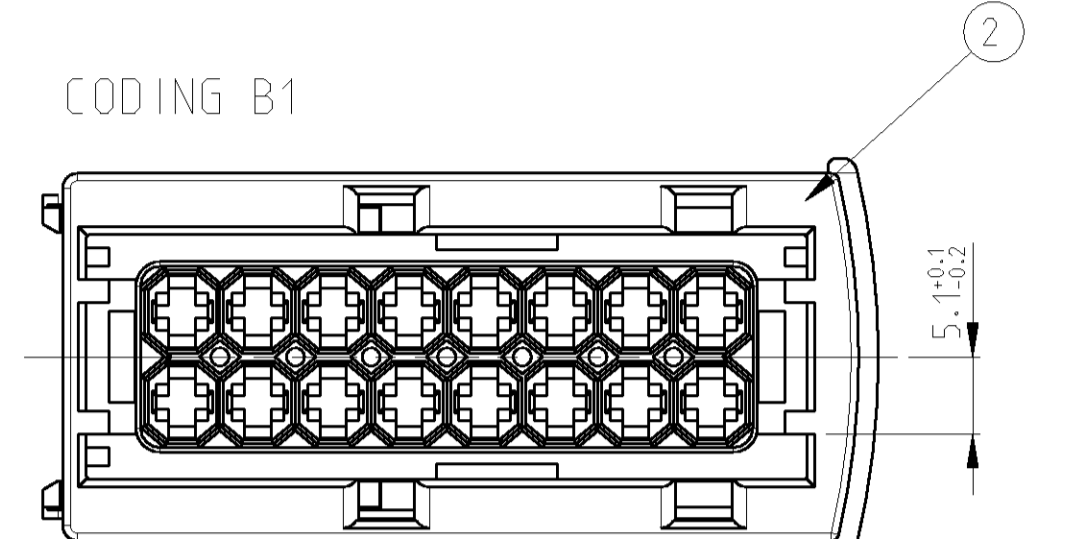
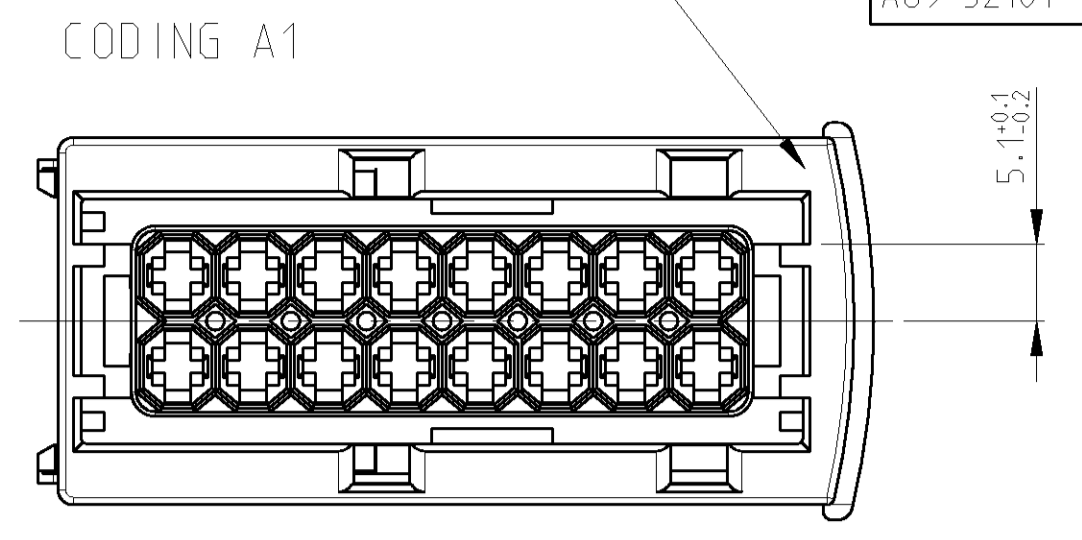
JPT	ORDER-NO. STRIP	WIRE SIZE (mm <sup>2</sup> )	MATERIAL	FINISH	SINGLE WIRE SEAL	COLOR	WATER-TIGHTNESS
JPT	0-0929937-1	1.5 - 2.5	CuFe 2	TINNED	0-0828905-1	WHITE	IPX 9K
JPT	0-0929939-1	0.75 - 1.0	CuFe 2	TINNED	0-0828904-1	LIGHT BLUE	IPX 9K
JPT	0-0929939-1	0.5	CuFe 2	TINNED	0-0963294-1	BLUE	IPX 9K
JPT	0-0929941-1	0.35	CuFe 2	TINNED	0-0963294-1	BLUE	IPX 9K



2:1

CUSTOMER PART NO.	GM SIGN	PART NO.	REV.	PCS	MATERIAL	COLOR	DESCRIPTION	ITEM NO.
4114401		5-963217-1		1	PBT/ASA-GF30	RED	SLIDE	6
4114443		4-963217-1		1	PBT/ASA-GF30	WHITE	JPT HSG., 16POS.	5
4114435		3-963217-1		1	PBT/ASA-GF30	BROWN	JPT HSG., 16POS.	4
4114427		2-963217-1		1	PBT/ASA-GF30	RED	SLIDE	6
4114419	ZFW 16-2	1-963217-1		1	PBT/ASA-GF30	RED	SLIDE	6
				1	PBT/ASA-GF30	BLACK	JPT HSG., 16POS.	1

LOC	DIST	REV	DATE	DRN	APVD
A1	-	F3	28APR11	RK	HMR



2:1

DIMENSIONS:		TOLERANCES UNLESS OTHERWISE SPECIFIED:		REVISIONS	
mm		0 PLC	±0.3	DATE	DRN
		1 PLC	±0.3	28APR11	RK
		2 PLC	±0.3		
		3 PLC	±0.3		
		4 PLC	±0.3		
		ANGLES			
MATERIAL	FINISH	PRODUCT SPEC	108-18102	DESCRIPTION	JPT REC-HOUSING, 16POS., ASSY
		APPLICATION SPEC	114-18175		JPT Buchsengehäuse, 16pol., Assy
		WEIGHT		SIZE	CAGE CODE
				A1	00779
		CUSTOMER DRAWING		SCALE	2:1
				SHEET	1 OF 1
				REV	F3

单击下面可查看定价，库存，交付和生命周期等信息

[>>TE Connectivity\(泰科\)](#)